

TRANSIT

TRHS01

Transit Handshower On Hook with Metal Handle



SHOWN IN TRANSIT HANDSHOWER ON HOOK WITH METAL HANDLE | TRHS01

TECHNICAL DETAILS

ADA Compliance: When installed per ADA guidelines
 Adjustable versus Fixed Spray: Fixed Spray
 Diameter of Head: 2 3/16"
 Escutcheon Primary Material: Brass
 Fittings Hole Diameter: 1 1/4"
 Flow Restriction Options: 2.0, 1.75, 1.5, 0.92
 Handshower / Spray Hose Length: 59"
 Depth / Width: 4 1/16"
 Height: 10 5/16"
 Inlet Connection Size: 1/2"
 Inlet Connection Type: Female NPT
 Installation Type: Wall Mounted
 Integrated Diverter: N
 Length: 3 3/4"
 Pivot: N
 Primary Material: Brass
 Suggested Application: Bath
 Water Pressure Maximum: 85.0 psi
 Water Pressure Minimum: 20.0 psi
 Water Pressure Recommended: 45.0 psi

INSPIRATION

Stylish simplicity that fits into any decor. Each design represents a sophisticated mix of modern and traditional influences, streamlined into a sculpted and tapered look.

CODES & STANDARDS

Code # TRHS01X: Complies with ASME A112.18.1/CSA B125.1, cUPC, and ADA. Certified with IAPMO, CEC, DOE, State of MA, and WRAS.

PRODUCT FEATURES

This item is stocked in a Chrome, Nickel and Unlacquered Brass finishes.

Easy To Grip

Stocked in 2.0gpm (7.6 L/min) and 1.75gpm (6.6 L/min). State of California requires 1.75gpm (6.6 L/min) to comply with their water conservation requirements. Other flow options are available to order, contact your sales associate or call 1 (800) 899-6757 for details.

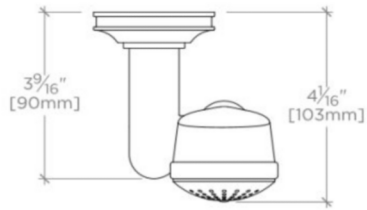
CERTIFICATIONS



TRANSIT

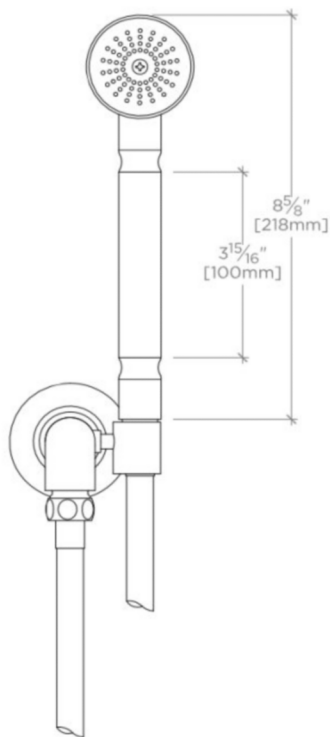
TRHS01

Transit Handshower On Hook with Metal Handle



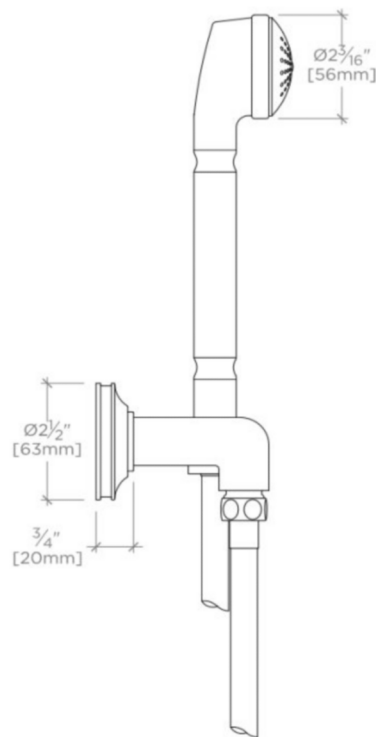
TOP VIEW

SCALE: 3"=1'-0"



FRONT VIEW

SCALE: 3"=1'-0"



SIDE VIEW

SCALE: 3"=1'-0"

