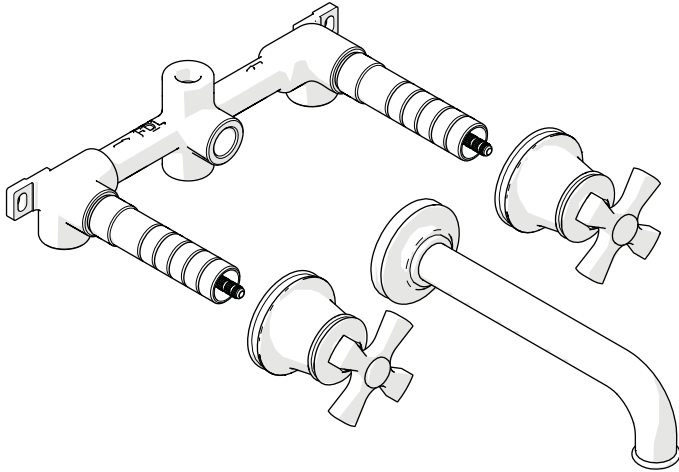


STYLE No. TRLS60, TR60LS⁺
with Metal Cross Handles



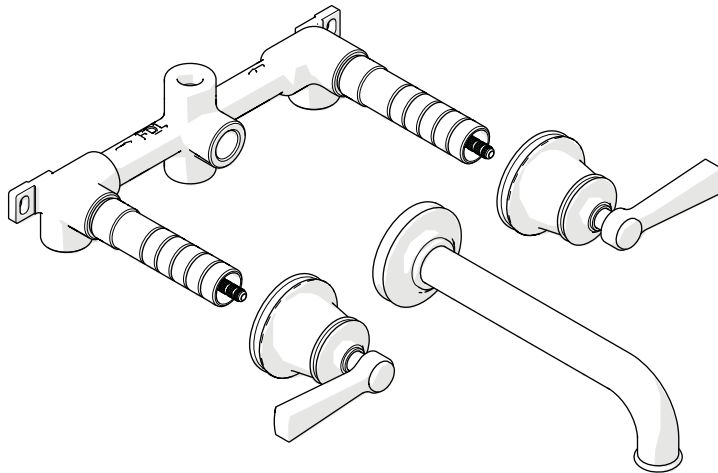
TRLS60 INCLUDES:

- Transit Low Profile Three Hole Wall Mounted Lavatory Faucet with Metal Cross Handles
 - **STYLE No. TRLS6C** and
- Universal Lavatory Wall Mounted Rough Valve
 - **STYLE No. GULV27**

TR60LS⁺ INCLUDES:

- Transit Low Profile Three Hole Wall Mounted Lavatory Faucet with Metal Cross Handles
 - **STYLE No. TR6CLS⁺** and
- Universal Lavatory Wall Mounted Rough Valve
 - **STYLE No. GU27LV⁺**

STYLE No. TRLS70, TR70LS⁺
with Metal Lever Handles



TRLS70 INCLUDES:

- Transit Low Profile Three Hole Wall Mounted Lavatory Faucet with Metal Lever Handles
 - **STYLE No. TRLS7C** and
- Universal Lavatory Wall Mounted Rough Valve
 - **STYLE No. GULV25**

TR70LS⁺ INCLUDES:

- Transit Low Profile Three Hole Wall Mounted Lavatory Faucet with Metal Lever Handles
 - **STYLE No. TR7CLS⁺** and
- Universal Lavatory Wall Mounted Rough Valve
 - **STYLE No. GU25LV⁺**

SPECIFICATIONS:

Control Valve Rough-in Depth Maximum: 4-1/8" [105mm]
 Control Valve Rough-in Depth Minimum: 2-3/8" [60mm]
 Drain Depth Maximum: 2"[†]
 Drain Depth Minimum: 1-1/2"[†]
 Drain Hole Diameter: Ø1-1/2"[†]
 Drain Style: Lift and Turn (Drain Included)
 Fittings Hole Diameter: Ø1-3/8" [35mm]
 Handle Spread: 8" [203mm] (NOT ADJUSTABLE)
 Inlet Connection (Spout): 1/2" Male NPT[†]
 Inlet/Outlet Connection (Valve): 1/2" Female NPT[†]
 Restricted Maximum Flow Rate: 1.2gpm [4.5L/min]
 Water Pressure Maximum: 85psi [6.0 bar]
 Water Pressure Minimum: 20psi [1.5 bar]
 Water Pressure Recommended: 45psi [3.0 bar]

[†] UK Style No. **TR60LS** and **TR70LS** are supplied with an alternate DRAIN, do not require the 1/2" NPT ADAPTER provided for the SPOUT and are supplied with 3 **BSPP ADAPTERS** for the VALVE. The ADAPTERS are packaged separately and assembly is required.

- Inlet Connection (Spout): 1/2" Male BSPP
- Inlet/Outlet Connection (Valve): 1/2" Female BSPP
- Drain Depth Maximum: 70mm
- Drain Depth Minimum: 25mm
- Drain Hole Diameter: Ø44mm

IMPORTANT:

- To ensure this product is installed properly, you must read and follow these guidelines.
- The owner/user of this product must keep this information for future reference.
- This product must be installed by a professional licensed contractor. Be sure your installation conforms to all federal, state, and local codes. In the State of Massachusetts, all installations must comply with the rules and regulations set forth within 248 CMR.
- This product must be on-site prior to rough-in. This allows the installer to visualize the installation and verify the 8" center spread.
- Refer to the specification and assembly drawings attached. Product is sold partially assembled but shown fully disassembled for illustrative and service purposes only.
- Inspect the product to ensure you have all the parts required for proper installation.

These guidelines have been prepared for the professional contractor to aid in the installation of:
 TRANSIT LOW PROFILE THREE HOLE WALL MOUNTED LAVATORY FAUCET WITH METAL CROSS HANDLES AND
 VALVE (STYLE No. TRLS60, TR60LS) & TRANSIT LOW PROFILE THREE HOLE WALL MOUNTED LAVATORY FAUCET
 WITH METAL LEVER HANDLES AND VALVE (STYLE No. TRLS70, TR70LS).
 All dimensions are based on original specification and are subject to change and variation.
 Please consult your Design Associate for current specifications.

- Use only a strap wrench or protected/smooth-jaw wrench on any finished surface.
- The use of certain plumber's putty may stain stone or tile surfaces.

TRIM INSTALLATION:

1. Remove the TILE GUARDS and the O-RINGS from the VALVE as shown in Figure - 01.

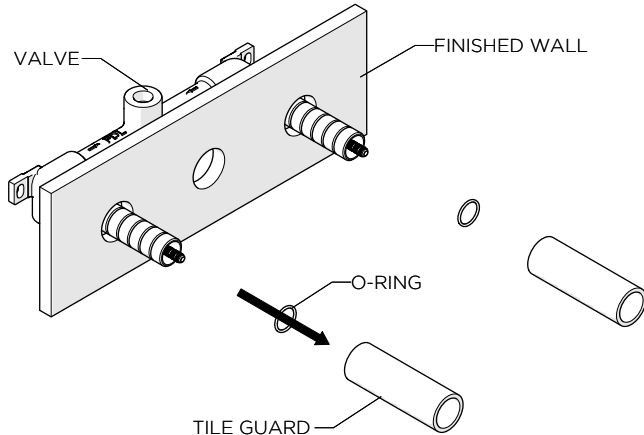


FIGURE - 01

- See Figure - 02 for Steps 2 - 4.

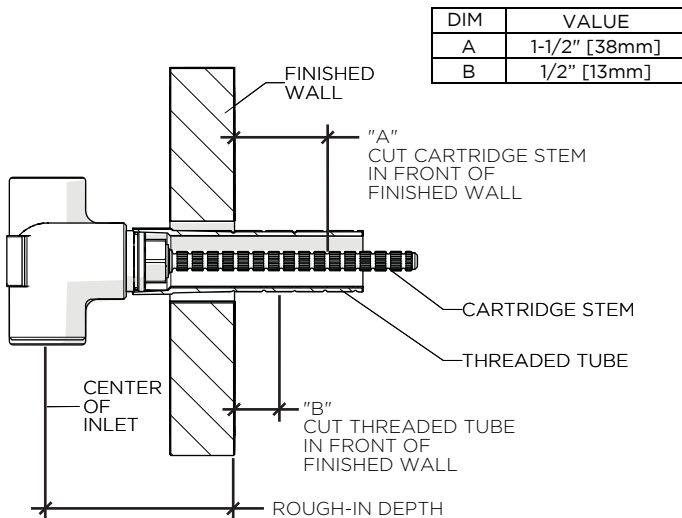


FIGURE - 02

2. Mark the THREADED TUBES as shown then remove and cut the TUBES.
3. Mark the CARTRIDGE STEMS as shown then remove the CARTRIDGES and cut the STEMS.
4. Thread and securely tighten the CARTRIDGES into the VALVE and then thread the TUBES back onto the CARTRIDGES.

- See Figure - 03 for Steps 5 - 6.

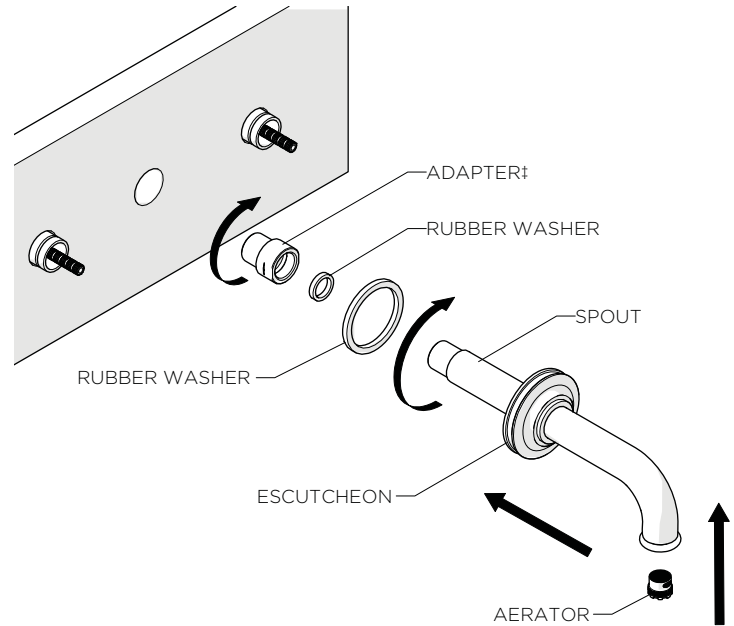


FIGURE - 03

5. Slide the ESCUTCHEON onto the SPOUT. Make sure to use the RUBBER WASHER provided.

NOTE: A 1.2gpm AERATOR is located inside the SPOUT.

6. Thread the 1/2" NPT ADAPTER† onto the SPOUT using the RUBBER WASHER provided and apply thread sealant onto the ADAPTER† then thread the SPOUT into the VALVE and securely tighten.

† **NOTE:** Style No. TR60LS and TR70LS do not require the 1/2" ADAPTER provided and thread sealant should be applied directly onto the SPOUT.

- See Figure - 04 for Steps 7 - 10.

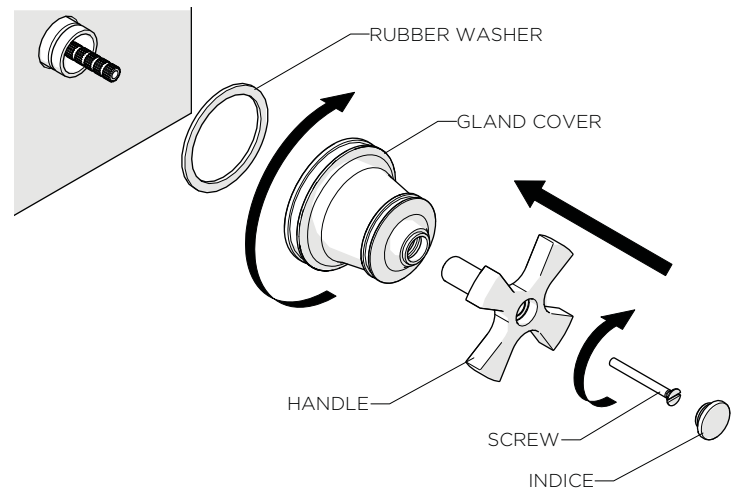


FIGURE - 04

These guidelines have been prepared for the professional contractor to aid in the installation of: TRANSIT LOW PROFILE THREE HOLE WALL MOUNTED LAVATORY FAUCET WITH METAL CROSS HANDLES AND VALVE (STYLE No. TRLS60, TR60LS) & TRANSIT LOW PROFILE THREE HOLE WALL MOUNTED LAVATORY FAUCET WITH METAL LEVER HANDLES AND VALVE (STYLE No. TRLS70, TR70LS). All dimensions are based on original specification and are subject to change and variation. Please consult your Design Associate for current specifications.

WATERWORKS
STUDIO

7. Thread the GLAND COVER onto the TRIM ADAPTER and securely tighten. Make sure to use the RUBBER WASHER provided.

NOTE: A RUBBER WASHER for the GLAND COVER is provided. If desired, a bead of caulk or a clear silicone may be applied where the GLAND COVER contacts the finished wall. The use of certain plumber's putty may stain stone or tile surfaces.

8. Insert the HANDLE into the GLAND COVER and onto the CARTRIDGE STEM in the desired orientation then insert the SCREW into the HANDLE and thread it into the CARTRIDGE STEM.

9. Securely tighten the SCREW then insert the INDICE into the HANDLE.

10. Repeat Steps 7 - 9 to install the second HANDLE.

11. For TRLS60 and TRLS70 installation proceed to Step 12 or for TR60LS and TR70LS proceed to Step 17.

TRLS60 & TRLS70 DRAIN INSTALLATION:

- See Figure - 05 for Steps 12 - 15.
- The use of certain plumber's putty may stain stone or tile surfaces.

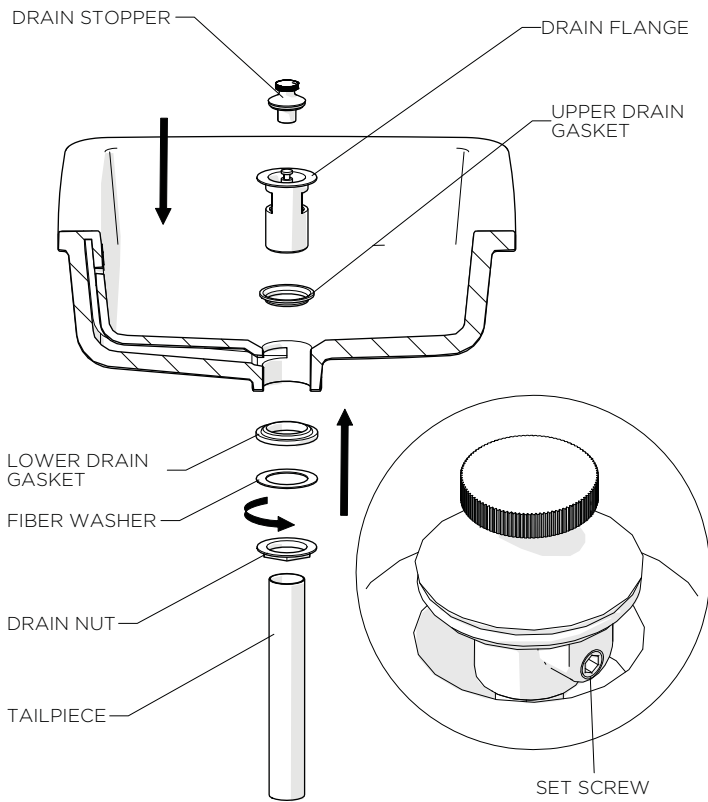


FIGURE - 05

12. Remove the TAILPIECE, NUT, FIBER WASHER and LOWER DRAIN GASKET from the DRAIN FLANGE.

NOTE: The UPPER DRAIN GASKET can be discarded.

13. Set the DRAIN FLANGE in the lavatory using putty or a clear adhesive silicone.

NOTE: To remove the DRAIN STOPPER, lift and turn the STOPPER to expose the SET SCREW on the side. Loosen the SET SCREW using a 2.5mm HEX KEY and pull the STOPPER off.

14. Re-attach the LOWER DRAIN GASKET, FIBER WASHER, and NUT. Tighten the NUT, making sure the GASKET makes a full seal on the underside of the lavatory.

NOTE: Putty or a clear adhesive silicone may be used to ensure a watertight seal between the GASKET and lavatory.

15. Re-attach the TAILPIECE to the DRAIN FLANGE and connect to the p-trap (sold separately).

16. Proceed to Step 23.

TR60LS & TR70LS DRAIN INSTALLATION:

- See Figure - 06 for Steps 17 - 22.
- The use of certain plumber's putty may stain stone or tile surfaces.

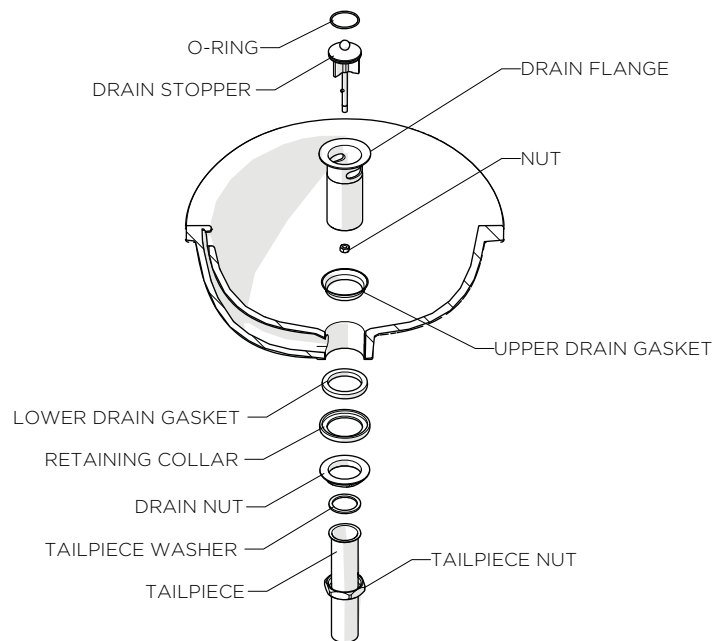


FIGURE - 06

17. Remove the TAILPIECE from the DRAIN FLANGE.

These guidelines have been prepared for the professional contractor to aid in the installation of: TRANSIT LOW PROFILE THREE HOLE WALL MOUNTED LAVATORY FAUCET WITH METAL CROSS HANDLES AND VALVE (STYLE No. TRLS60, TR60LS) & TRANSIT LOW PROFILE THREE HOLE WALL MOUNTED LAVATORY FAUCET WITH METAL LEVER HANDLES AND VALVE (STYLE No. TRLS70, TR70LS). All dimensions are based on original specification and are subject to change and variation. Please consult your Design Associate for current specifications.

18. Unthread and remove the DRAIN NUT, RETAINING COLLAR, and LOWER DRAIN GASKET.
- NOTE:** The UPPER DRAIN GASKET can be discarded.
19. Set the DRAIN FLANGE in the lavatory using putty or a clear adhesive silicone.
- NOTE:** To remove the DRAIN STOPPER, unthread and remove the NUT then lift and turn the STOPPER until it is fully removed.
20. Re-install the LOWER DRAIN GASKET, RETAINING COLLAR, and DRAIN NUT. Tighten the NUT, making sure the GASKET makes a full seal on the underside of the lavatory.
- NOTE:** Putty or a clear adhesive silicone may be used to ensure a water-tight seal between the LOWER DRAIN GASKET and lavatory.
21. Re-install the TAILPIECE using the WASHER and NUT provided.
22. Connect the TAILPIECE to the p-trap (sold separately).

INSPECT AND FINISH THE INSTALLATION:

23. Remove the AERATOR then turn on the water supply to flush out any debris in the supply lines. Operate the HANDLES to ensure they are functioning properly.
24. Inspect all connections for leaks.
25. Close the DRAIN and fill the lavatory with water to make sure the DRAIN STOPPER and GASKETS operate and seal properly.
26. Turn off the water and re-install the AERATOR.
27. Slide the ESCUTCHEON on the SPOUT down until it contacts the finished wall.
- NOTE:** A RUBBER WASHER for the ESCUTCHEON is provided. If desired, a bead of caulk or a clear silicone may be applied where the ESCUTCHEON contacts the finished wall. The use of certain plumber's putty may stain stone or tile surfaces.
- If further assistance is required, please contact Product Support at 1-800-927-2120 Monday through Friday, 8am - 6pm EST.
 - Refer to the separate Service Parts Documents for available replacement parts.

These guidelines have been prepared for the professional contractor to aid in the installation of:
 TRANSIT LOW PROFILE THREE HOLE WALL MOUNTED LAVATORY FAUCET WITH METAL CROSS HANDLES AND VALVE (STYLE No. TRLS60, TR60LS) & TRANSIT LOW PROFILE THREE HOLE WALL MOUNTED LAVATORY FAUCET WITH METAL LEVER HANDLES AND VALVE (STYLE No. TRLS70, TR70LS).
 All dimensions are based on original specification and are subject to change and variation.
 Please consult your Design Associate for current specifications.

WATERWORKS
STUDIO