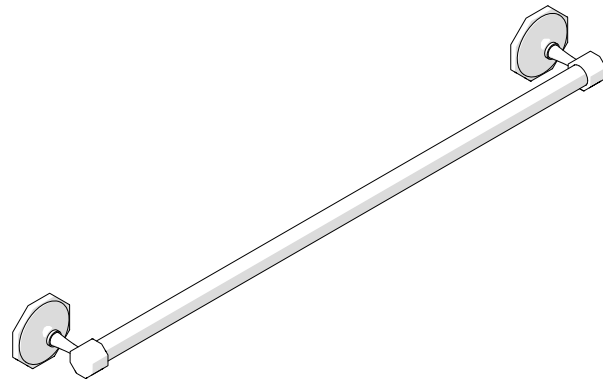
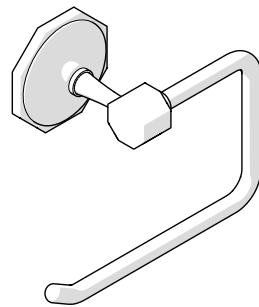


# WATERWORKS STUDIO

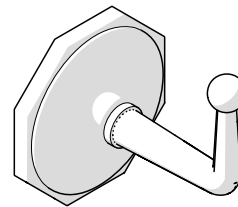
## SERVICE PARTS



**STYLE RDTB24**  
Roadster Single Towel Bar 24"



**STYLE RDPH01**  
Roadster Wall Mounted Swing Arm Paper  
Holder



**STYLE RDRH01**  
Roadster Single Hook

---

WELCOME TO

# WATERWORKS STUDIO

Over thirty years of experience distilled into signature fittings, surfaces, textiles, and accessories. Waterworks Studio is an edited collection of design solutions curated to be concise, engineered to be complete, and crafted for quality.

*Everything you need, nothing more.*

---

**TO ORDER PARTS CALL  
1 (800) 927-2120 (EXT 2)**

Order by part number and specify color, finish, or other options if required.

**PRODUCT SUPPORT**

Our Product Support team provides troubleshooting and technical problem resolution, including replacement parts and installation recommendations throughout the life of your product.

Product Support is available Monday through Friday, 9am-6pm.

**LIMITED LIFETIME  
WARRANTY**

Our warranty covers repair and replacement of Waterworks products if within the applicable coverage period and deemed defective by Waterworks. Waterworks will, at its option, repair or replace such products; this does not include installation costs, labor charges, or other incidental or consequential costs.

To obtain your complete warranty or inquire about warranty service, please visit us at [www.waterworks.com](http://www.waterworks.com) or contact our Product Support Team.

**MAIN KITS**

**207806\***

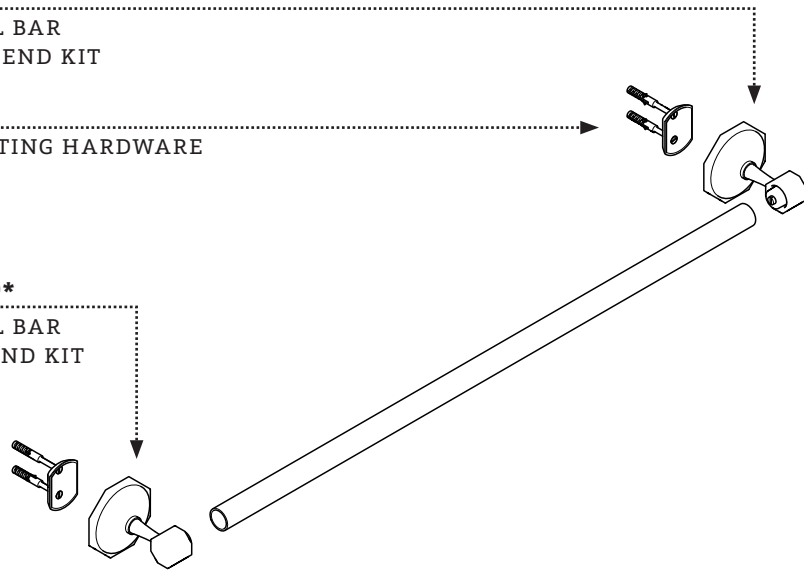
TOWEL BAR  
RIGHT END KIT

**702454**

MOUNTING HARDWARE

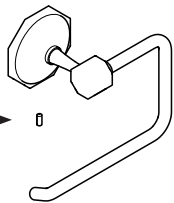
**020729\***

TOWEL BAR  
LEFT END KIT



**317610**

FASTENING  
SET SCREW

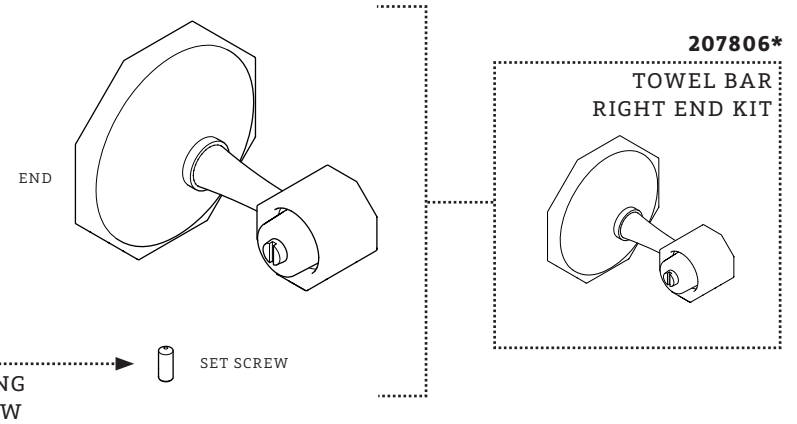


**317610**

FASTENING  
SET SCREW



**KIT COMPONENTS**



**317610**

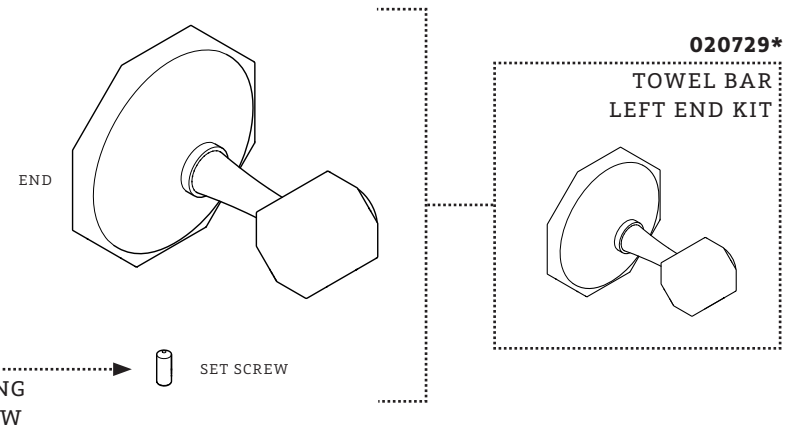
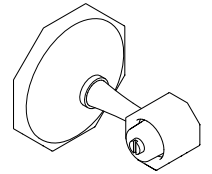
FASTENING  
SET SCREW



SET SCREW

**207806\***

TOWEL BAR  
RIGHT END KIT



**317610**

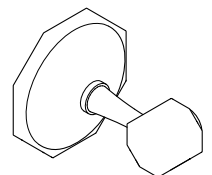
FASTENING  
SET SCREW



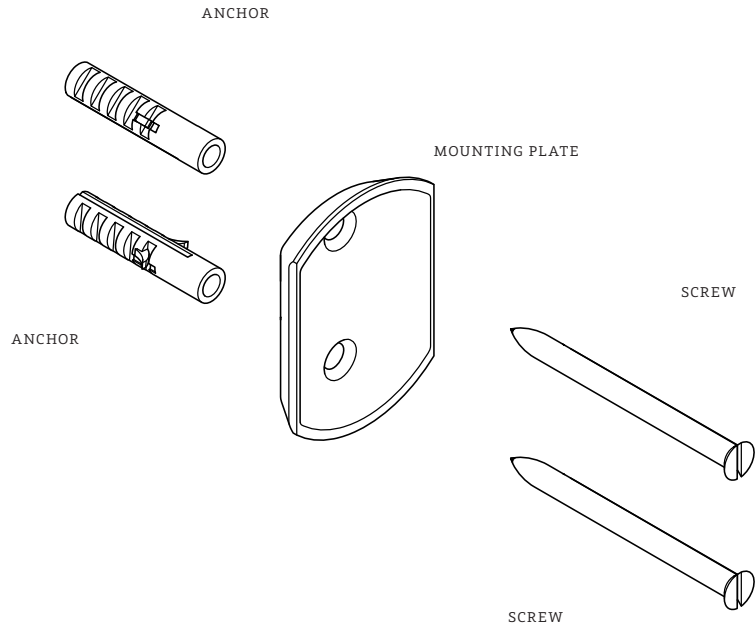
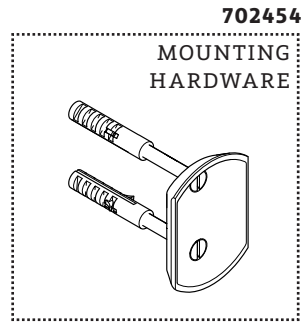
SET SCREW

**020729\***

TOWEL BAR  
LEFT END KIT



**KIT COMPONENTS**



\*FINISH/COLOR MUST BE SPECIFIED WHEN ORDERING  
++SUPPLIED AS A PAIR

**SERVICE PARTS INDEX**

<u>STYLE</u>	<u>DESCRIPTION</u>	<u>PG</u>
317610	FASTENING SET SCREW	2,3
702454	MOUNTING HARDWARE	4
020729*	TOWEL BAR LEFT END KIT	3
207806*	TOWEL BAR RIGHT END KIT	3

WATERWORKS  
STUDIO

**PRODUCT SUPPORT**

60 BACKUS AVENUE  
DANBURY, CT 06810

1 (800) 927-2120 (EXT 2)

[WWW.WATERWORKS.COM/STUDIO](http://WWW.WATERWORKS.COM/STUDIO)