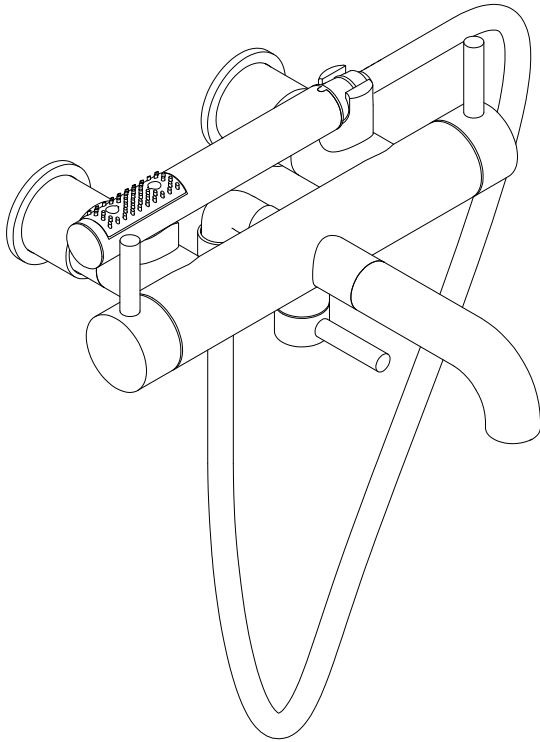


STYLE No. FLXT30
CODE No. FLTU30



SPECIFICATIONS:

Handle Spread: $10\frac{7}{16}$ " (NOT ADJUSTABLE)
Inlet Connection Size: $\frac{3}{4}$ "
Inlet Connection Type: Female NPT
Inlet Connection Spread: $5\frac{7}{8}$ " (NOT ADJUSTABLE)
Maximum Water Pressure: 80psi
Minimum Water Pressure: 20psi
Fittings Hole Diameter: $\frac{1}{4}$ "
Recommended Water Pressure: 45psi
Spout Reach: $10\frac{3}{4}$ " MIN - $11\frac{1}{4}$ " MAX (finished wall to center of outlet)

IMPORTANT:

- To ensure this product is installed properly, you must read and follow these guidelines.
- The owner/user of this product must keep this information for future reference.
- Be sure your installation conforms to all federal, state, and local codes. Anti-scald protection is the responsibility of the installer and according to applicable codes.
- In the State of Massachusetts, all installations must comply with the rules and regulations set forth within 248 CMR.
- This product must be installed by a professional licensed contractor.

- Product should be on-site prior to rough-in. This allows the installer to visualize the installation and verify the inlet connection spread.
- Refer to the specification and assembly drawings attached. Product is sold partially assembled but shown fully disassembled for illustrative and service purposes only.
- Check tub measurements to assure the spout projects far enough into the tub.
- Inspect this product to ensure you have all parts required for proper installation.
- Use only a strap wrench or protected/smooth-jaw wrench on any finished surface.
- Run $\frac{3}{4}$ " supply lines for maximum flow.
- Install accessible hot and cold service stop valves to facilitate servicing.

ROUGH-IN:

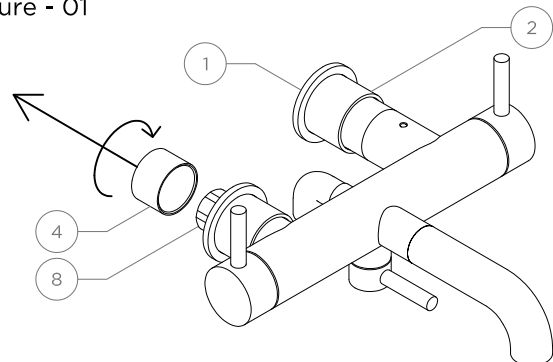
1. Run well supported $\frac{3}{4}$ " hot and cold supply lines for maximum water flow.
2. Install $\frac{3}{4}$ " NPT nipples (NOT SUPPLIED). Ensure that the nipples are secure, level, at the proper spread of $5\frac{7}{8}$ " (NOT ADJUSTABLE) and at equal depths. The final distance the nipples must project from the surface of the finished wall must be between $1\frac{7}{8}$ " and $1\frac{1}{8}$ ". See Figure - 02.

TUB FILLER INSTALLATION:

IMPORTANT:

- Verify the $5\frac{7}{8}$ " inlet supply spread prior to installation.
- 3. Slide the gland covers (2) and escutcheons (1) down the posts on the valve body (12) then unthread the collars (4) to expose the union nuts (8). See Figure - 01.

Figure - 01

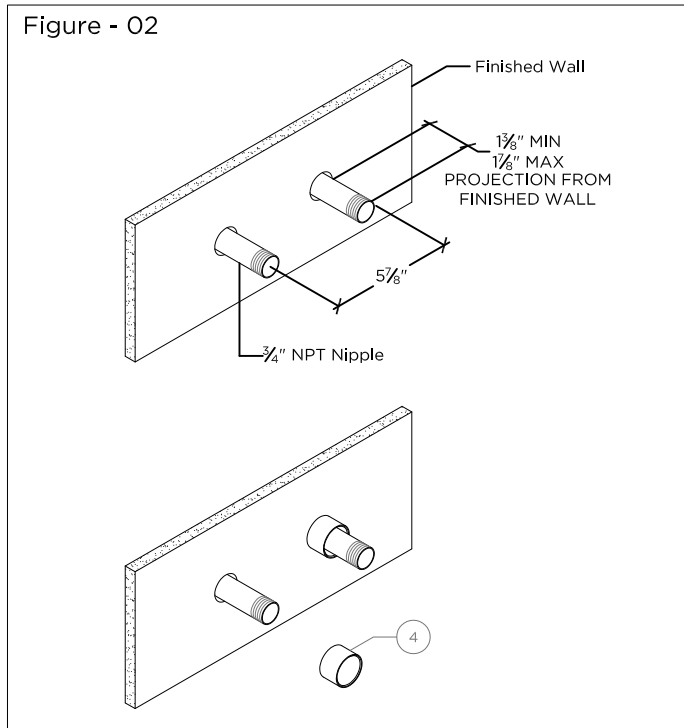


These guidelines have been prepared for the professional contractor to aid in the installation of:
FLYTE EXPOSED WALL MOUNTED TUB FILLER WITH LEVER HANDLES AND HANDSHOWER
(STYLE No. FLXT30).

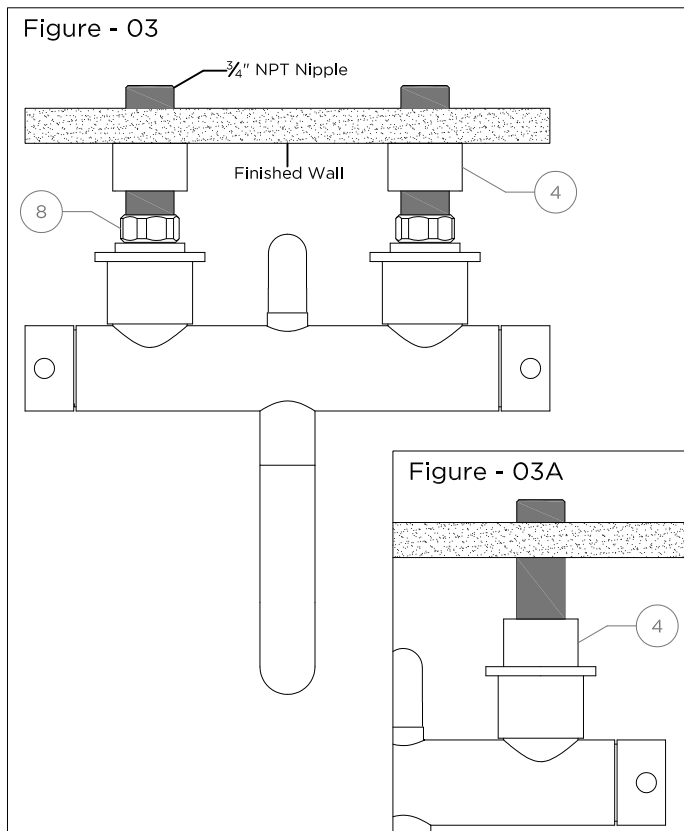
All dimensions are based on origin specification and are subject to change and variation.
Please consult your Design Associate for current specifications.

WATERWORKS
STUDIO

4. Slide the collars onto the nipples. See Figure - 02.

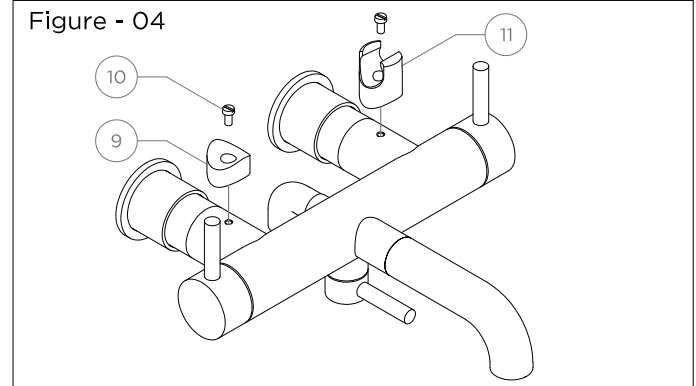


5. Thread the union nuts on to the nipples making sure that a washer (5) is inside each nut. See Figure - 03.



6. Securely tighten the union nuts then thread the collars (4) back onto the valve body (12) to conceal the union nuts. See Figure - 03A.

7. Slide the escutcheons (1) and the gland covers (2) up to the finished surface.



HANDSHOWER INSTALLATION:

8. Install the handshower hook (11) and cradle (9) as shown (See Figure - 04) onto the valve body using the screws (10) provided. Ensure that the hook is installed with the wider opening facing toward the inside.

9. Install the check valve housing (17) onto the handshower elbow (20). Make sure that check valve (18) is inside the housing and to include the washer (19) between the housing and elbow.

10. Connect the conical end of the handshower hose (16) to the handshower (13). NOTE: A flow restricting check valve (14) is located in the inlet of the handshower.

11. Connect the knurled end of handshower hose to the check valve housing (17).

INSPECT THE INSTALLATION:

12. Remove the flow straightener (26) from the spout (25) using the aerator tool (27) provided.

13. Turn on the supplies then open the hot and cold valves to flush out any debris in the supply lines before diverting to the handshower. To divert to the handshower turn the lever (37) on the bottom of the valve.

14. Carefully inspect all connections for leaks and check for proper operation.

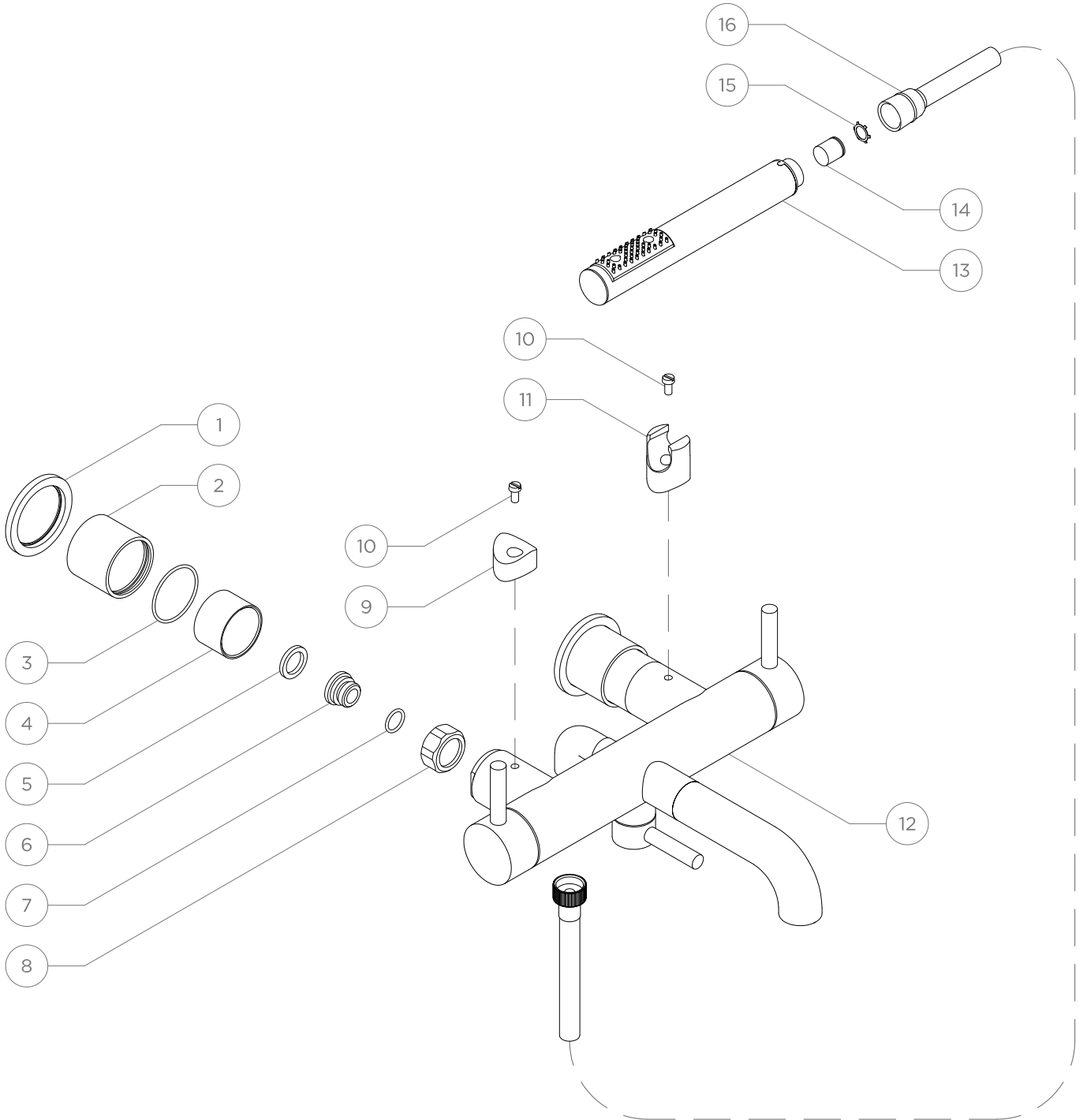
15. Re-install the flow straightener.

➤ If further assistance is required, contact Product Support at 1-800-927-2120 (8am-6pm EST).

These guidelines have been prepared for the professional contractor to aid in the installation of: **FLYTE EXPOSED WALL MOUNTED TUB FILLER WITH LEVER HANDLES AND HANDSHOWER (STYLE No. FLXT30).**

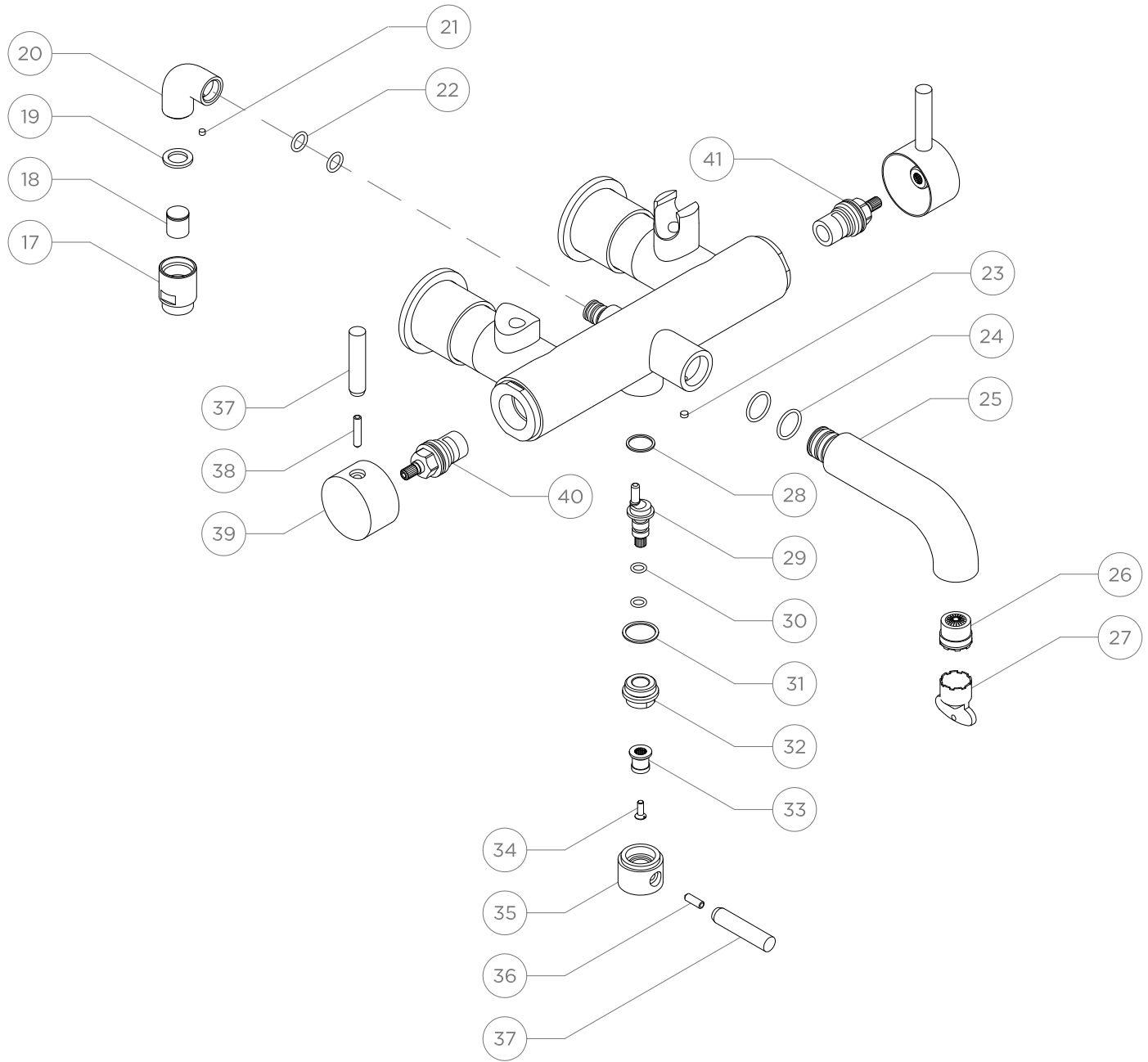
All dimensions are based on origin specification and are subject to change and variation. Please consult your Design Associate for current specifications.

**WATERWORKS
STUDIO**



These guidelines have been prepared for the professional contractor to aid in the installation of:
FLYTE EXPOSED WALL MOUNTED TUB FILLER WITH LEVER HANDLES AND HANDSHOWER
(STYLE No. FLXT30).
All dimensions are based on origin specification and are subject to change and variation.
Please consult your Design Associate for current specifications.

WATERWORKS
STUDIO



These guidelines have been prepared for the professional contractor to aid in the installation of:
FLYTE EXPOSED WALL MOUNTED TUB FILLER WITH LEVER HANDLES AND HANDSHOWER
(STYLE No. FLXT30).
All dimensions are based on origin specification and are subject to change and variation.
Please consult your Design Associate for current specifications.

WATERWORKS
STUDIO

ITEM No.	DESCRIPTION	QTY.
1	Escutcheon, Flyte	2
2	Gland Cover, Flyte	2
3	O-Ring, 40mm ID x 2mm Width, Rubber	2
4	Collar	2
5	Washer, 17mm ID x 24mm OD x 3mm Thickness, Rubber	2
6	Union Capture, 10mm Hex	2
7	O-Ring, 14mm ID x 1.78mm Width, Rubber	2
8	Union Nut, 30mm Hex, Metal	2
9	Cradle, Handshower, Flyte	1
10	Screw, Slotted, Cheese Head, 10mm Length	2
11	Hook, Handshower, Flyte	1
12	Valve Body, Exposed Tub Filler, Flyte	1
13	Handshower, Flyte	1
14	Flow Regulating Check Valve, 2.0gpm	1
15	Washer, Tooth Lock, Extranal Tooth, Metal	1
16	Handshower Hose, Knurled End x Conical End, 1.5m Length	1
17	Insert Housing	1
18	Check Valve	1
19	Washer, 13mm ID x 20mm OD x 2mm Thickness, Rubber	1
20	Elbow, Handshower	1
21	Set Screw, 2mm Hex, Pointed, 4mm Length	1
22	O-Ring, 10.5mm ID x 2mm Width, Rubber	2
23	Set Screw, 2.5mm Hex, Pointed, 4mm Length	1
24	O-Ring, 18mm ID x 2mm Width, Rubber	2
25	Tub Spout, Exposed Tub Filler, Slip Connection	1
26	Flow Straightener, Full Flow	1
27	Aerator Tool	1
28	Washer, 16mm ID x 19mm OD x 1mm, Thickness, Fiber	1
29	Diverter Cam, Exposed Tub Filler	1
30	O-Ring, 7.1mm ID x 1.78mm Width, Rubber	2
31	Washer, 20mm ID x 24mm OD x 1mm Thickness, Fiber	1
32	Retaining Collar, Diverter Cam, Metal	1
33	Coupler, Splined	1
34	Screw, Slotted, Flat Head, 12mm Length	1
35	Handle Hub, Diverter, Flyte	1
36	Set Screw, 2.5mm Hex, Pointed, 16mm Length	1
37	Lever Handle, Metal, Flyte	3
38	Set Screw, 2.5mm Hex, Pointed, 25mm Length	2
39	Handle Hub, Flyte	2
40	Cartridge, Shut-off Valve, CCW Close	1
41	Cartridge, Shut-off Valve, CW Close	1

These guidelines have been prepared for the professional contractor to aid in the installation of:
FLYTE EXPOSED WALL MOUNTED TUB FILLER WITH LEVER HANDLES AND HANDSHOWER
 (STYLE No. FLXT30).
 All dimensions are based on origin specification and are subject to change and variation.
 Please consult your Design Associate for current specifications.

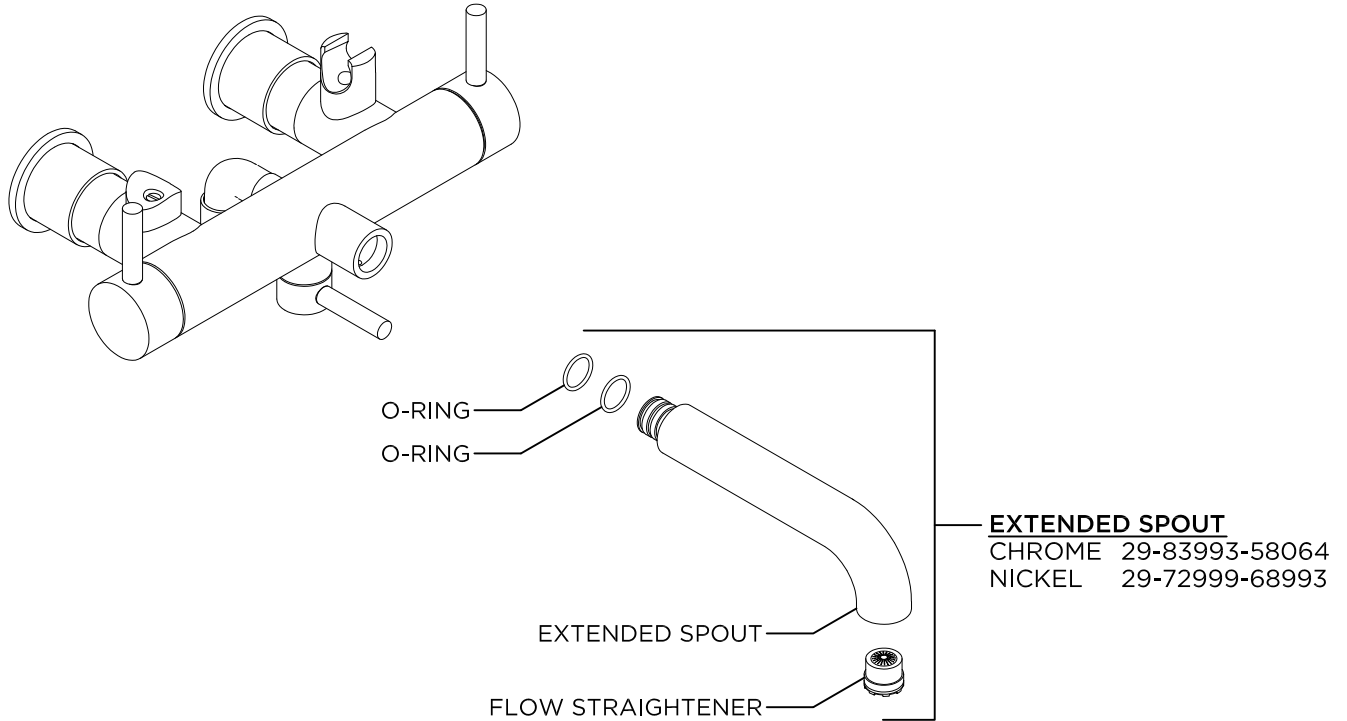
WATERWORKS
STUDIO

ADDITIONAL COMPONENTS AVAILABLE:

All Sold Separately

1. Extended Spout

(Increases spout reach range from 10 $\frac{3}{4}$ "MIN-11 $\frac{1}{4}$ "MAX
to 12 $\frac{1}{6}$ "MIN-13 $\frac{3}{16}$ "MAX)



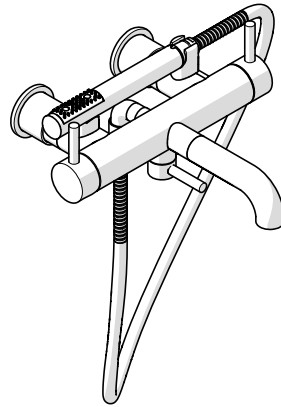
These guidelines have been prepared for the professional contractor to aid in the installation of:
FLYTE EXPOSED WALL MOUNTED TUB FILLER WITH LEVER HANDLES AND HANDSHOWER
(STYLE No. FLXT30).

All dimensions are based on origin specification and are subject to change and variation.
Please consult your Design Associate for current specifications.

WATERWORKS
STUDIO

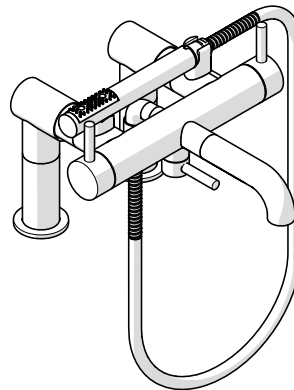
WATERWORKS STUDIO

SERVICE PARTS



STYLE FLXT30

Flyte Exposed Wall Mounted Tub Filler With Handshower and Metal Lever Handles



STYLE FLXT50

Flyte Exposed Deck Mounted Tub Filler With Handshower and Metal Lever Handles

WELCOME TO

WATERWORKS STUDIO

Over thirty years of experience distilled into signature fittings, surfaces, textiles, and accessories. Waterworks Studio is an edited collection of design solutions curated to be concise, engineered to be complete, and crafted for quality.

Everything you need, nothing more.

**TO ORDER PARTS CALL
1 (800) 927-2120 (EXT 2)**

Order by part number and specify color, finish, or other options if required.

PRODUCT SUPPORT

Our Product Support team provides troubleshooting and technical problem resolution, including replacement parts and installation recommendations throughout the life of your product.

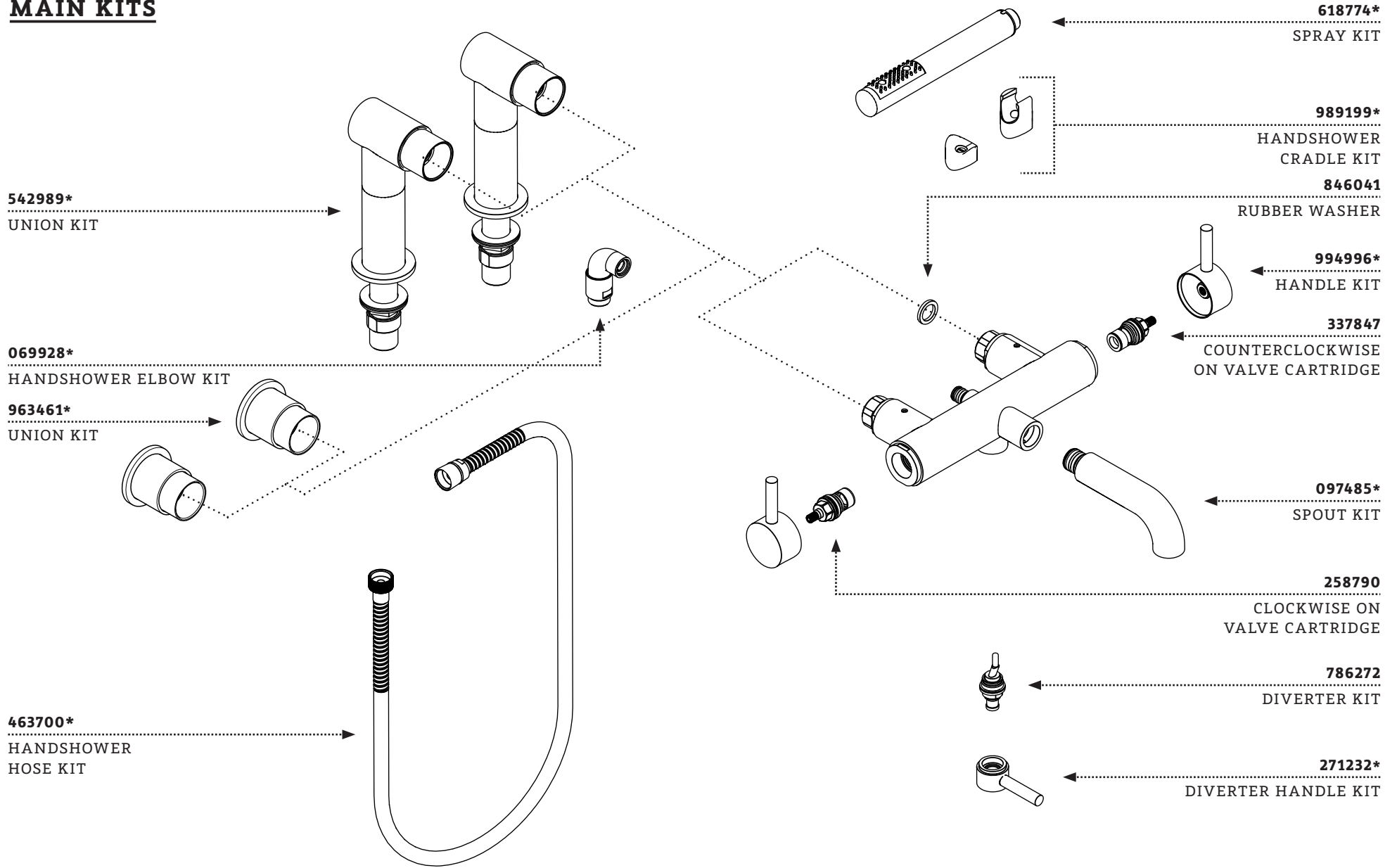
Product Support is available Monday through Friday, 9am-6pm.

**LIMITED LIFETIME
WARRANTY**

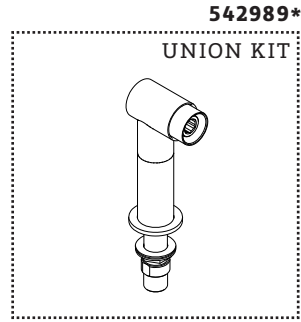
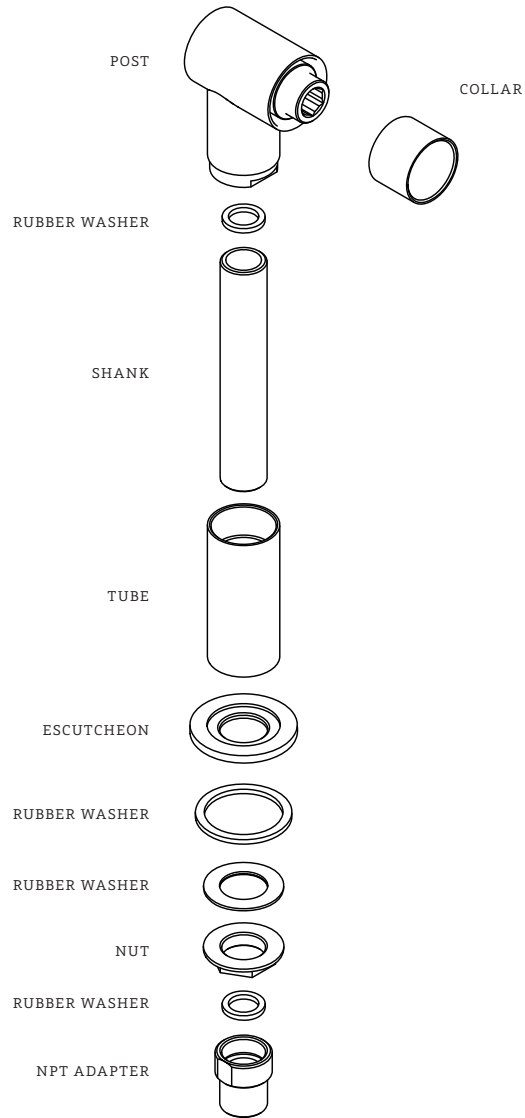
Our warranty covers repair and replacement of Waterworks products if within the applicable coverage period and deemed defective by Waterworks. Waterworks will, at its option, repair or replace such products; this does not include installation costs, labor charges, or other incidental or consequential costs.

To obtain your complete warranty or inquire about warranty service, please visit us at www.waterworks.com or contact our Product Support Team.

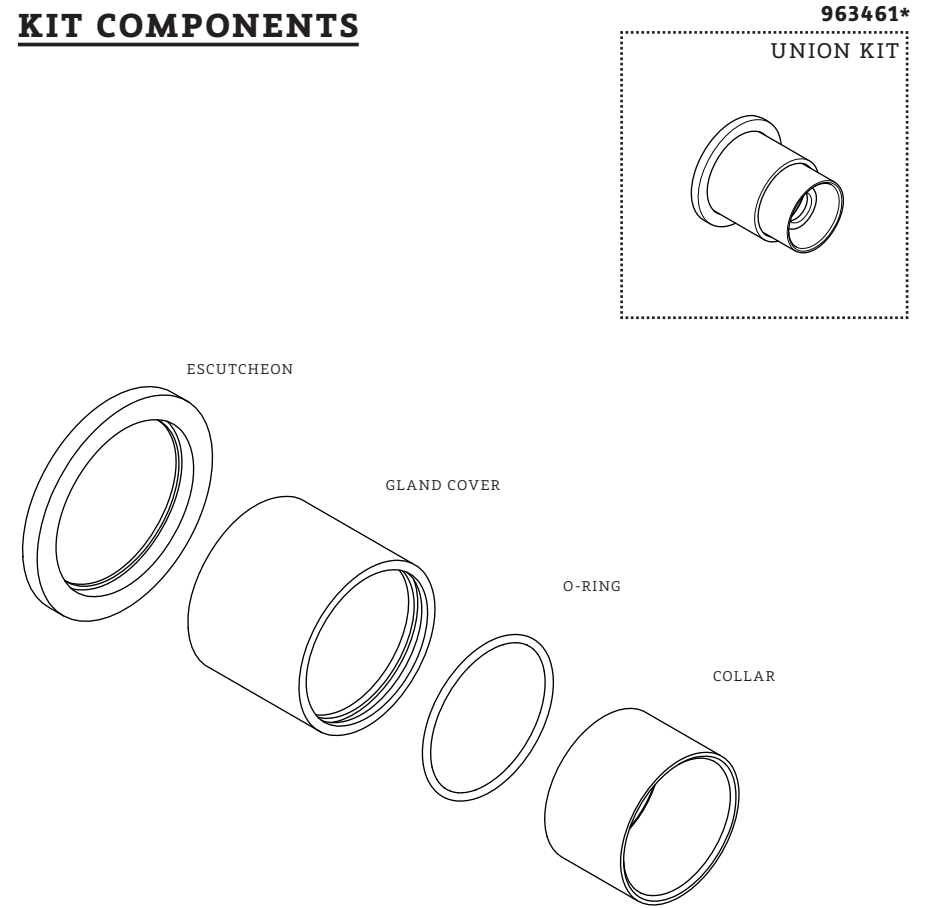
MAIN KITS



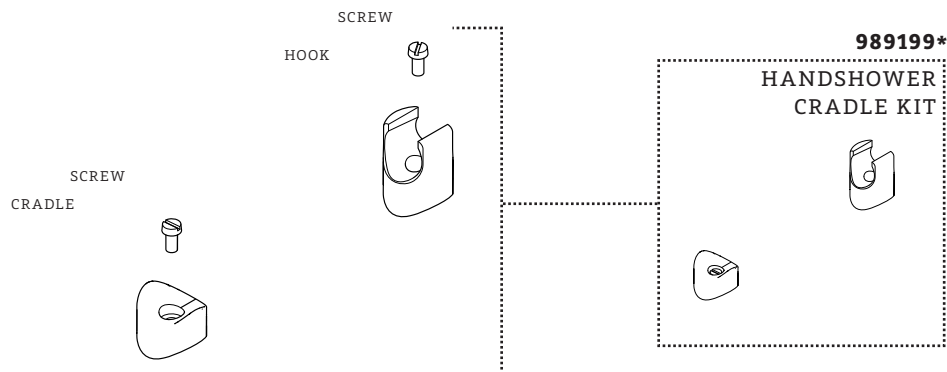
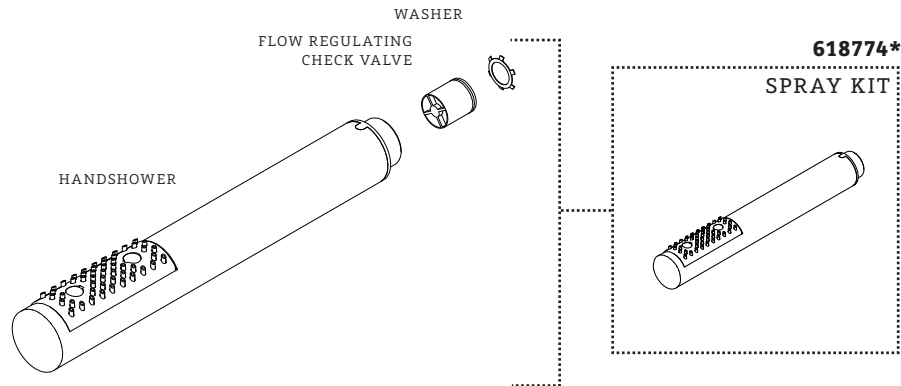
KIT COMPONENTS



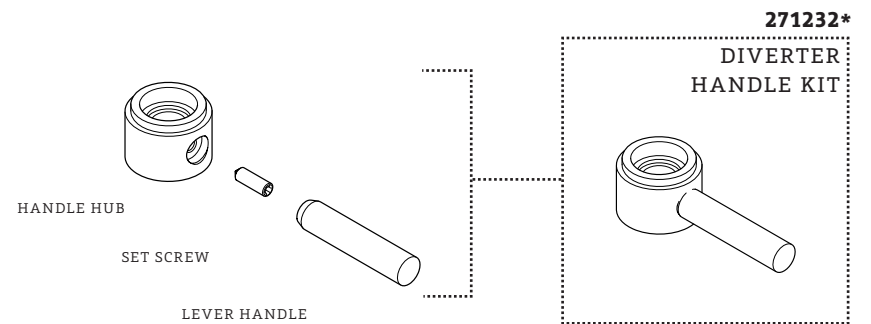
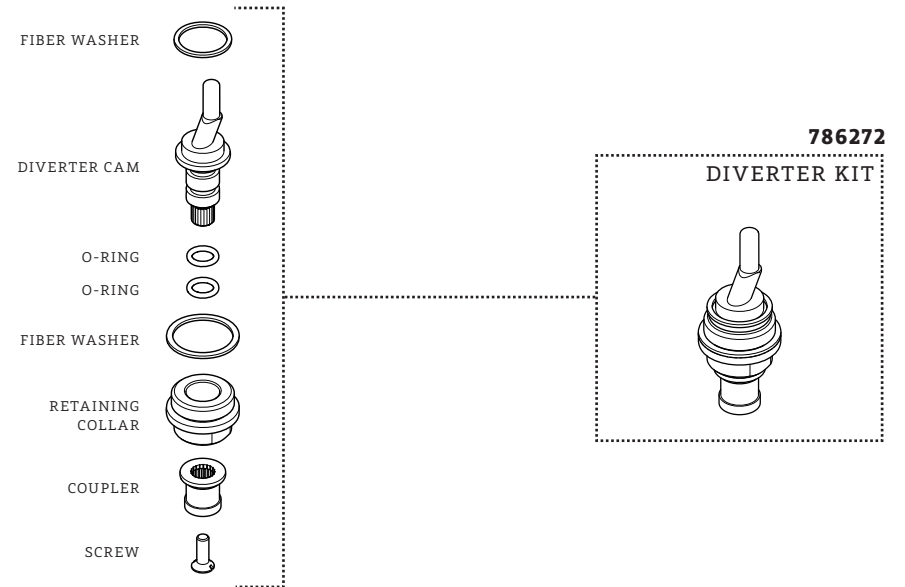
KIT COMPONENTS



KIT COMPONENTS

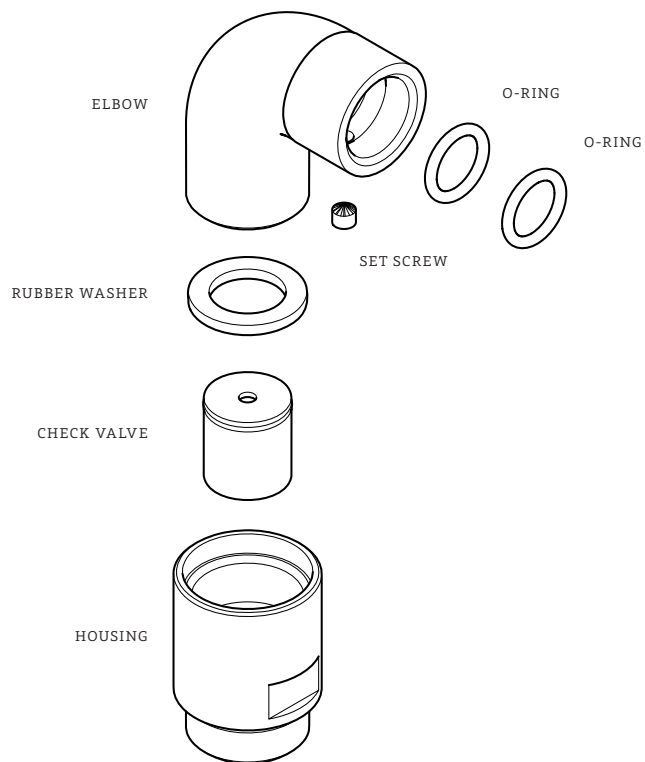


KIT COMPONENTS



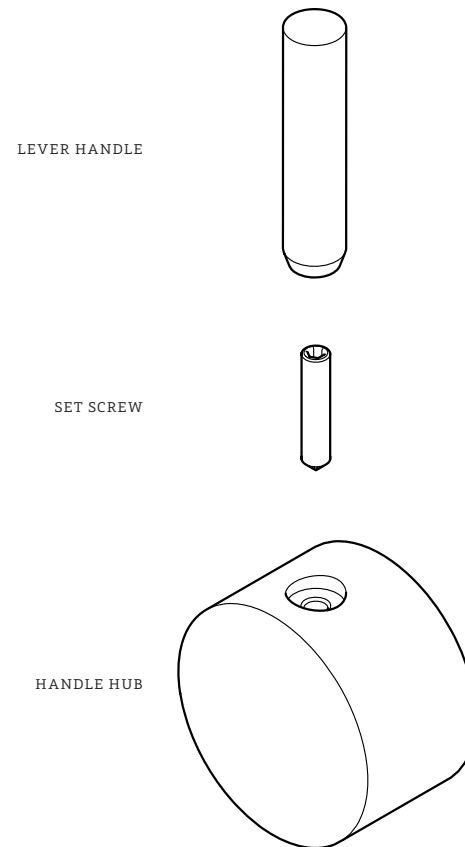
KIT COMPONENTS

069928*

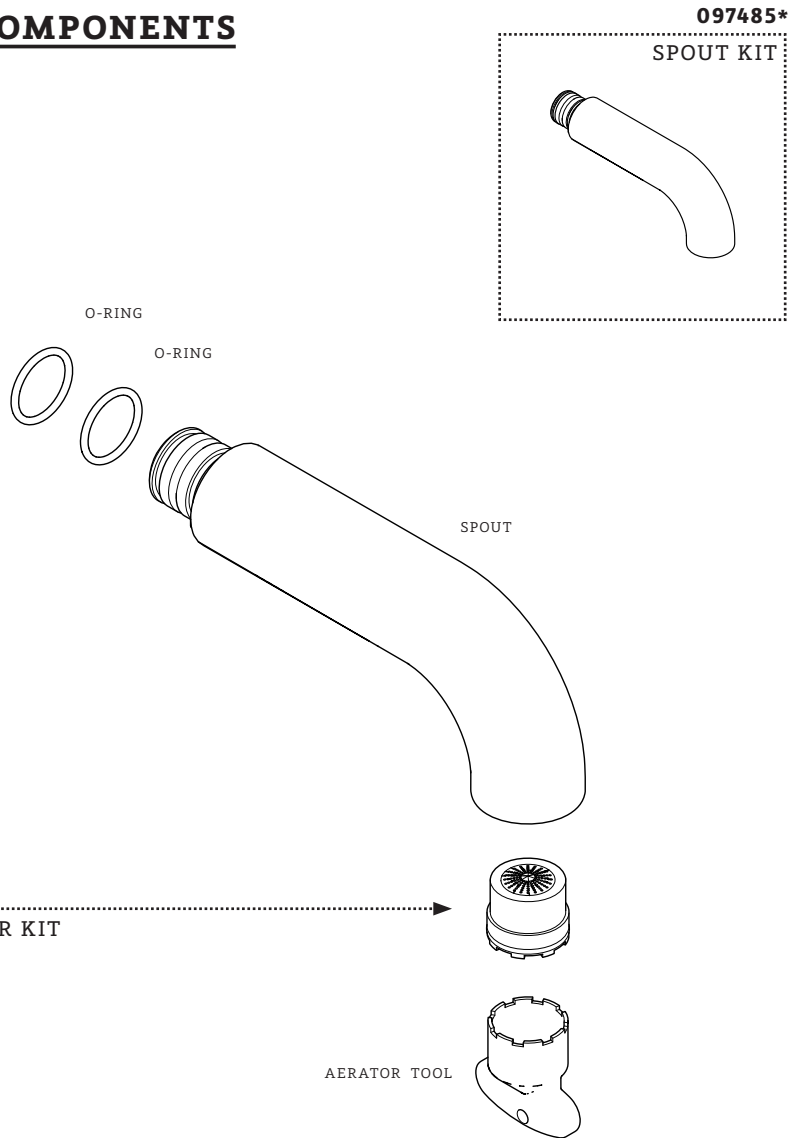


KIT COMPONENTS

994996*



KIT COMPONENTS



*FINISH/COLOR MUST BE SPECIFIED WHEN ORDERING
++SUPPLIED AS A PAIR

SERVICE PARTS INDEX

<u>STYLE</u>	<u>DESCRIPTION</u>	<u>PG</u>
258790	CLOCKWISE ON VALVE CARTRIDGE	3
337847	COUNTERCLOCKWISE ON VALVE CARTRIDGE	3
271232*	DIVERTER HANDLE KIT	7
786272	DIVERTER KIT	7
994996*	HANDLE KIT	9
989199*	HANDSHOWER CRADLE KIT	6
069928*	HANDSHOWER ELBOW KIT	8
463700	HANDSHOWER HOSE KIT	2
846041	RUBBER WASHER	3
097485*	SPOUT KIT	10
618774	SPRAY KIT	6
542989*	UNION KIT	4
963461*	UNION KIT	5

STYLES: FLXT30, FLXT50

NOTES

*FINISH/COLOR MUST BE SPECIFIED WHEN ORDERING
++SUPPLIED AS A PAIR

NOTES

WATERWORKS
STUDIO

PRODUCT SUPPORT

60 BACKUS AVENUE
DANBURY, CT 06810

1 (800) 927-2120 (EXT 2)

WWW.WATERWORKS.COM/STUDIO