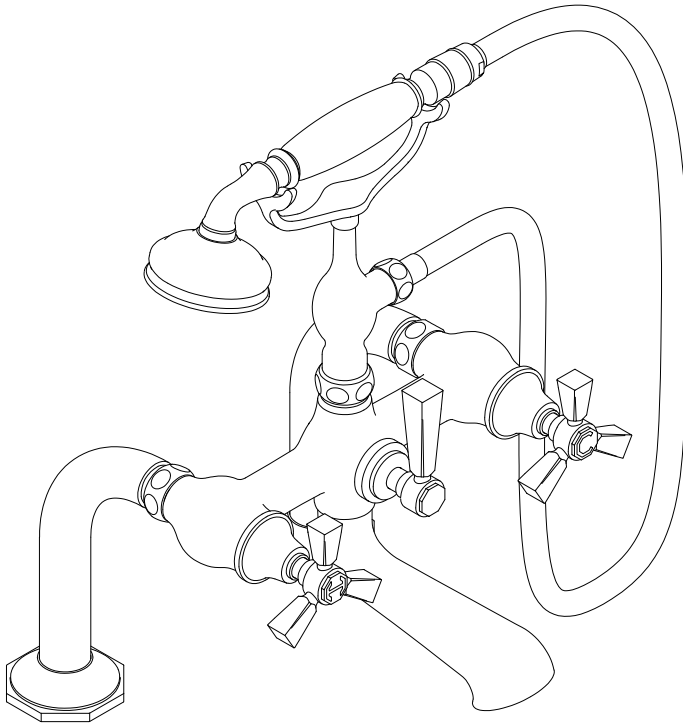


STYLE No. RDXT40



SPECIFICATIONS:

Handle Spread: $7\frac{5}{8}$ " (NOT ADJUSTABLE)
Inlet Connection Size: $\frac{3}{4}$ "
Inlet Connection Type: Male NPT
Inlet Connection Spread: $7\frac{5}{8}$ " (NOT ADJUSTABLE)
Maximum Water Pressure: 80psi
Minimum Water Pressure: 20psi
Fittings Hole Diameter: $1\frac{1}{4}$ "
Recommended Water Pressure: 45psi
Spout Reach: $9\frac{13}{16}$ "

IMPORTANT:

- To ensure this product is installed properly, you must read and follow these guidelines.
- The owner/user of this product must keep this information for future reference.
- Be sure your installation conforms to all federal, state, and local codes. Anti-scald protection is the responsibility of the installer and according to applicable codes.
- In the State of Massachusetts, all installations must comply with the rules and regulations set forth within 248 CMR.
- This product must be installed by a professional licensed contractor.

- Product should be on-site prior to rough-in. This allows the installer to visualize the installation and verify the inlet connection spread.
- Refer to the specification and assembly drawings attached. Product is sold partially assembled but shown fully disassembled for illustrative and service purposes only.
- Check tub measurements to assure the spout projects far enough into the tub.
- Inspect this product to ensure you have all parts required for proper installation.
- Use only a strap wrench or protected/smooth-jaw wrench on any finished surface.
- Run $\frac{3}{4}$ " supply lines for maximum flow.
- Install accessible hot and cold service stop valves to facilitate servicing.

ROUGH-IN:

1. Run well supported $\frac{3}{4}$ " hot and cold supply lines for maximum water flow. The inlet supply spread is $7\frac{5}{8}$ " on-center and is not adjustable. $1\frac{1}{4}$ " drilling for the mounting holes is recommended.

TUB FILLER INSTALLATION:

IMPORTANT:

- Verify the $7\frac{5}{8}$ " inlet supply spread prior to installation.
2. Remove the $\frac{3}{4}$ " NPT adapter (1), the washer (2) inside the adapter and mounting hardware (3, 4 & 5) from each deck union (8).
 3. Ensure that each escutcheon (7) is fully threaded up the deck union (8).
 4. Insert the unions into the deck, making sure that the washers (6) are between the escutcheons and the deck.
 5. Re-install the mounting hardware (3, 4 & 5) onto each union.
 6. Tighten the nuts (3) up against the underside of the deck to secure the unions.
 7. Insert a washer (2) into each adapter (1) then thread the adapters onto the unions (8).
 8. Hold the valve body (9) up to the unions (8) and attach it by threading the union nuts onto the unions. Ensure that a washer (2) is in each nut.

These guidelines have been prepared for the professional contractor to aid in the installation of:
ROADSTER EXPOSED DECK MOUNTED TUB FILLER WITH LEVER HANDLES AND HANDSHOWER (STYLE No. RDXT40).
All dimensions are based on origin specification and are subject to change and variation.
Please consult your Design Associate for current specifications.

**WATERWORKS
STUDIO**

HANDSHOWER INSTALLATION:

9. Attached the handshower cradle (10) to the valve body (9) and ensure that the washer (2) is in the cradle inlet. NOTE: A flow regulating check valve is located in the outlet of the cradle and a check valve is located at the inlet of the cradle.
10. Connect the conical end of the handshower hose (12) to the handshower (11). NOTE:
11. Connect the hex end of the handshower hose to the handshower cradle outlet. Place the handshower on the cradle.

FINISH THE INSTALLATION:

12. Apply pipe thread compound onto the male end of the adapters (1) then thread on $\frac{3}{4}$ " female NPT x sweat/PEX adapters (NOT SUPPLIED).
13. Adjust the supply line lengths as needed and complete final connections. Ensure that the nuts (3) are securely tightened against the underside of the deck.

INSPECT THE INSTALLATION:

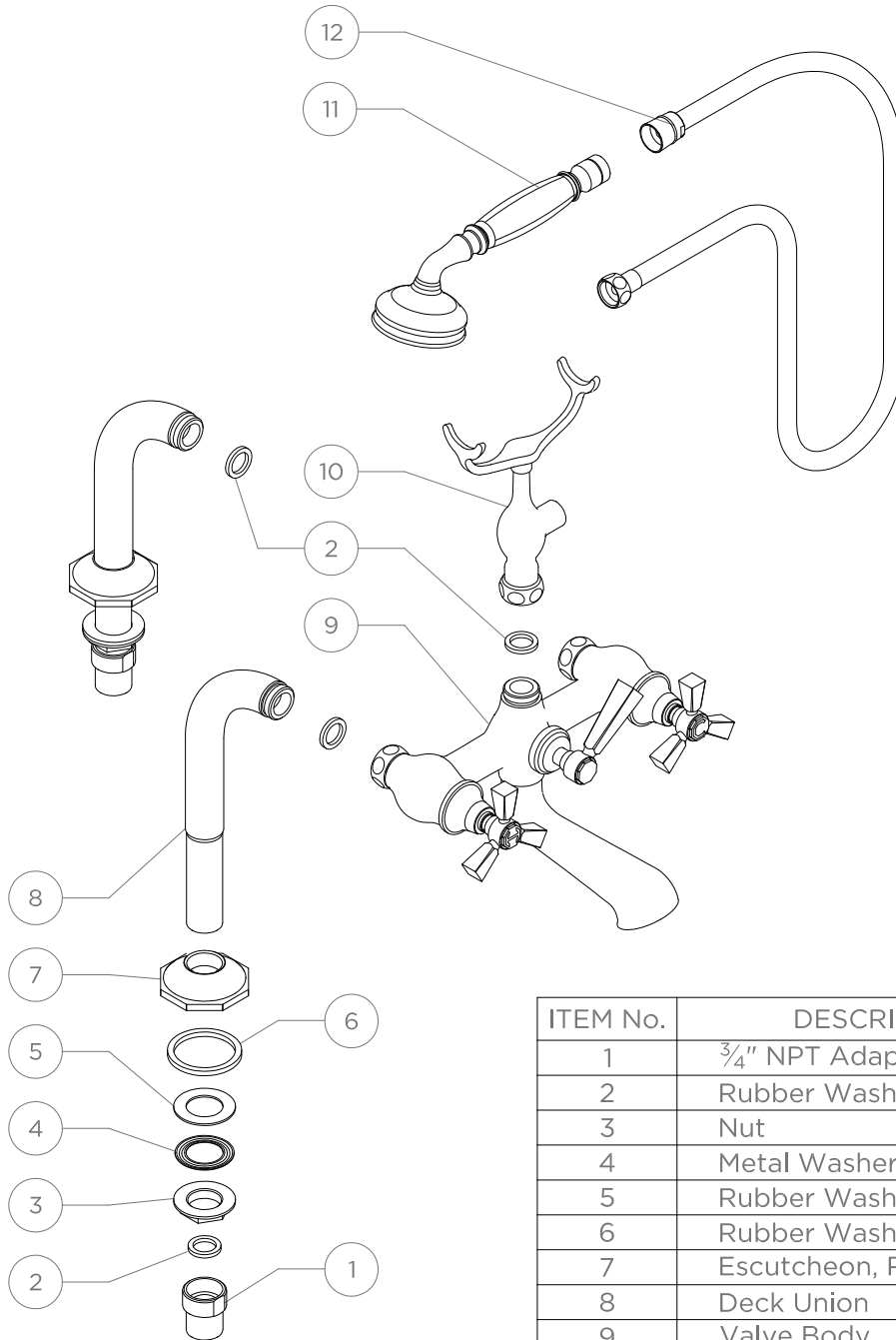
14. Turn on the supplies then open the hot and cold valves to flush out any debris in the supply lines before diverting to the handshower. To divert to the handshower turn the lever handle.
15. Carefully inspect all connections for leaks and check for proper operation.

If further assistance is required, contact Product Support at 1-800-927-2120 (8am-6pm EST).

These guidelines have been prepared for the professional contractor to aid in the installation of:
ROADSTER EXPOSED DECK MOUNTED TUB FILLER WITH LEVER HANDLES AND HANDSHOWER
(STYLE No. RDXT40).

All dimensions are based on origin specification and are subject to change and variation.
Please consult your Design Associate for current specifications.

WATERWORKS
STUDIO



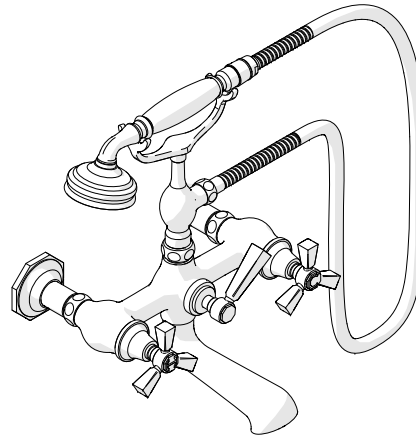
ITEM No.	DESCRIPTION	QTY.
1	3/4" NPT Adapter	2
2	Rubber Washer	5
3	Nut	2
4	Metal Washer	2
5	Rubber Washer	2
6	Rubber Washer	2
7	Escutcheon, Roadster	2
8	Deck Union	2
9	Valve Body	1
10	Cradle	1
11	Handshower	1
12	Handshower Hose	1

These guidelines have been prepared for the professional contractor to aid in the installation of:
ROADSTER EXPOSED DECK MOUNTED TUB FILLER WITH LEVER HANDLES AND HANDSHOWER
 (STYLE No. RDXT40).
 All dimensions are based on origin specification and are subject to change and variation.
 Please consult your Design Associate for current specifications.

WATERWORKS
STUDIO

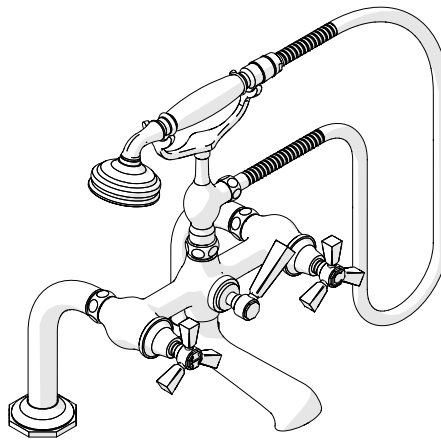
WATERWORKS STUDIO

SERVICE PARTS



STYLE RDXT20

Roadster Exposed Wall Mounted Tub Filler With Handshower and Tri-spoke Handles



STYLE RDXT40

Roadster Exposed Deck Mounted Tub Filler With Handshower and Tri-spoke Handles

WELCOME TO

WATERWORKS STUDIO

Over thirty years of experience distilled into signature fittings, surfaces, textiles, and accessories. Waterworks Studio is an edited collection of design solutions curated to be concise, engineered to be complete, and crafted for quality.

Everything you need, nothing more.

**TO ORDER PARTS CALL
1 (800) 927-2120 (EXT 2)**

Order by part number and specify color, finish, or other options if required.

Product Support

Our Product Support team provides troubleshooting and technical problem resolution, including replacement parts and installation recommendations throughout the life of your product.

Product Support is available Monday through Friday 8AM to 6PM EST.

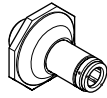
**LIMITED LIFETIME
WARRANTY**

Our warranty covers repair and replacement of Waterworks products if within the applicable coverage period and deemed defective by Waterworks. Waterworks will, at its option, repair or replace such products; this does not include installation costs, labor charges, or other incidental or consequential costs.

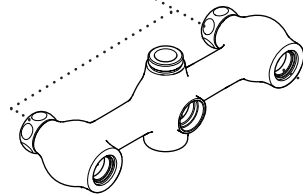
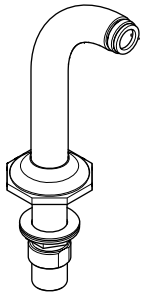
To obtain your complete warranty or inquire about warranty service, please visit us at www.waterworks.com or contact our Product Support Team.

MAIN KITS

209940*
UNION KIT



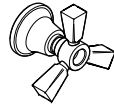
099303*
UNION KIT



337847
COUNTERCLOCKWISE ON VALVE CARTRIDGE



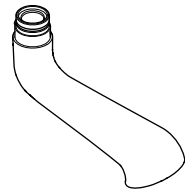
432450*
TRI-SPOKE HANDLE KIT



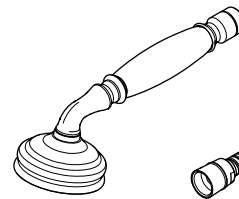
765789*
HOT INDICE KIT



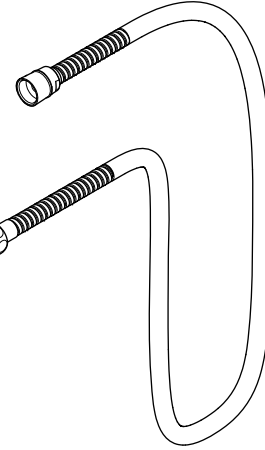
194193*
SPOUT KIT



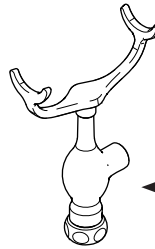
426262*
SPRAY KIT



435041*
HANDSHOWER HOSE KIT



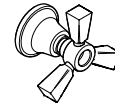
723681*
HANDSHOWER CRADLE KIT



337847
COUNTERCLOCKWISE ON VALVE CARTRIDGE



432450*
TRI-SPOKE HANDLE KIT



807778*
COLD INDICE KIT



956299
DIVERTER KIT



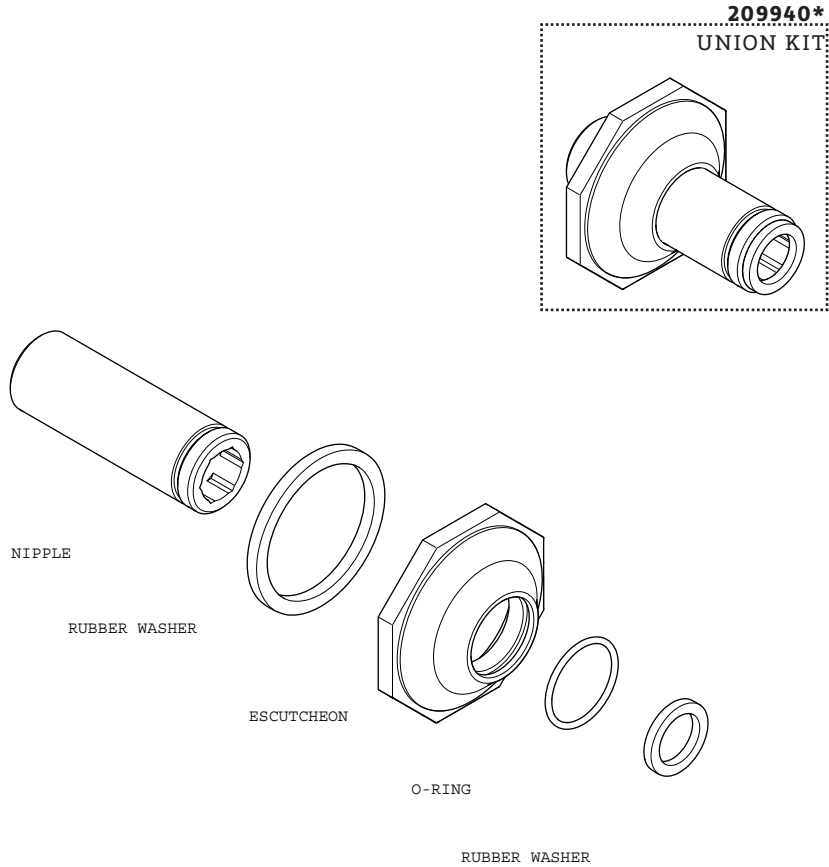
816511*
DIVERTER HANDLE KIT



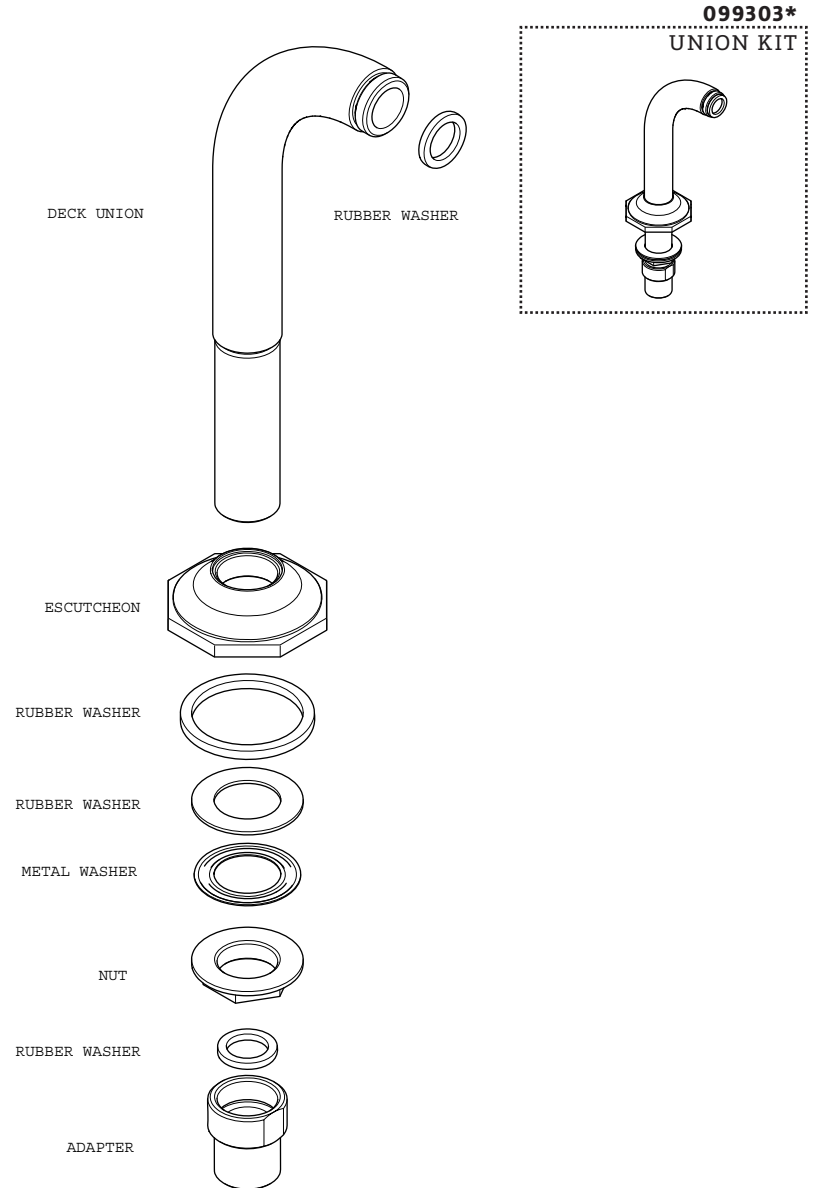
599239*
BLANK INDICE KIT



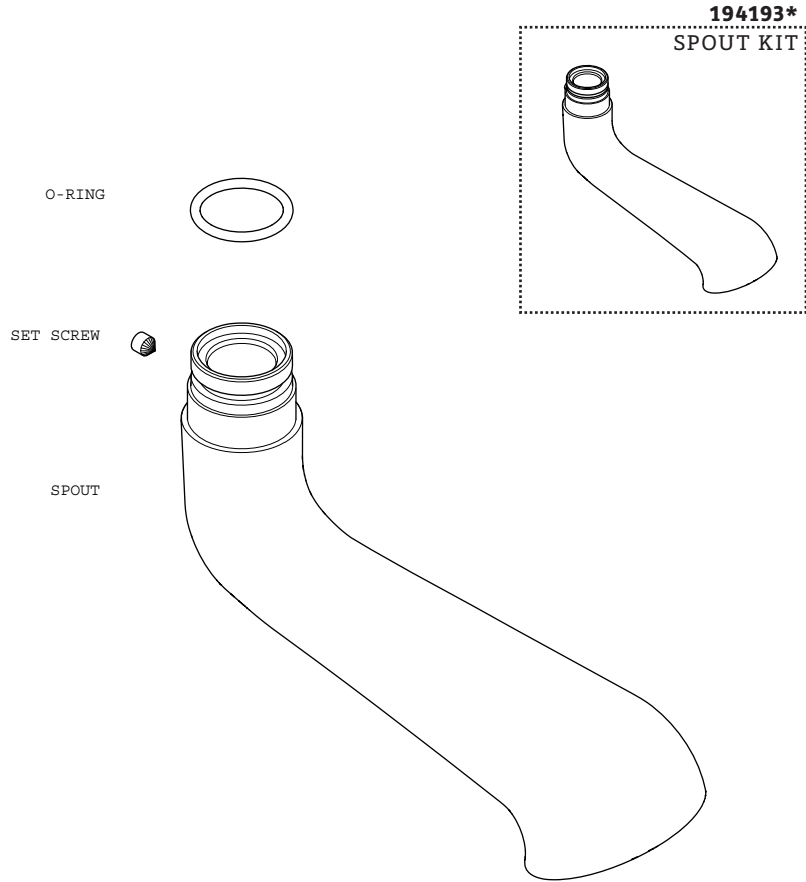
KIT COMPONENTS



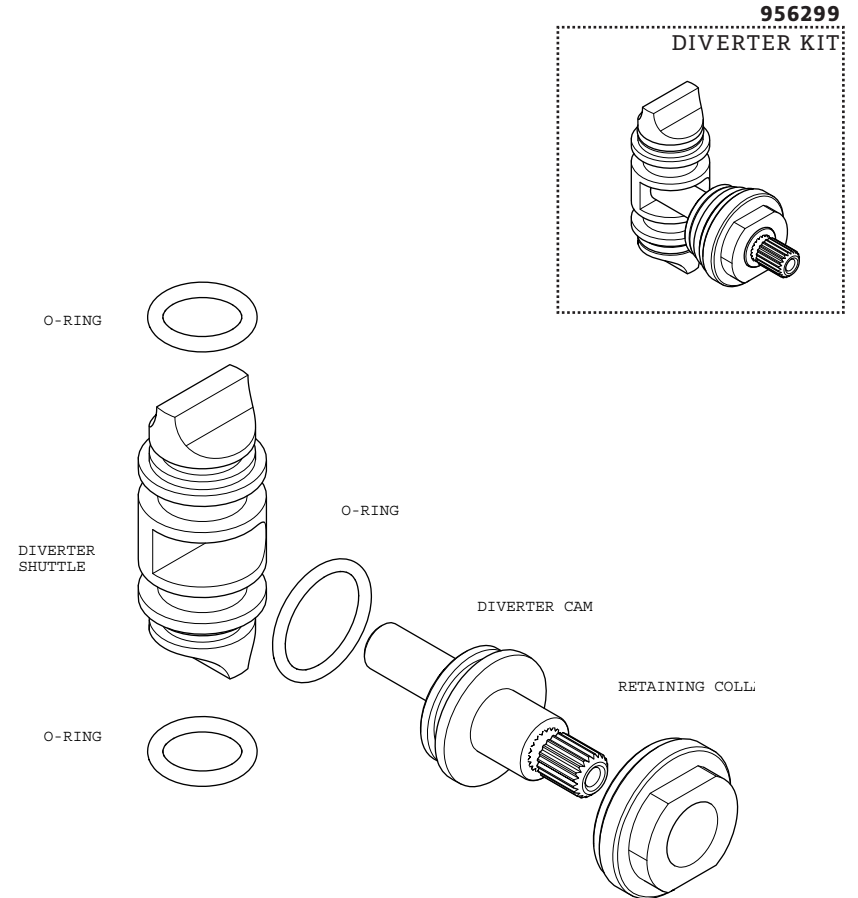
KIT COMPONENTS



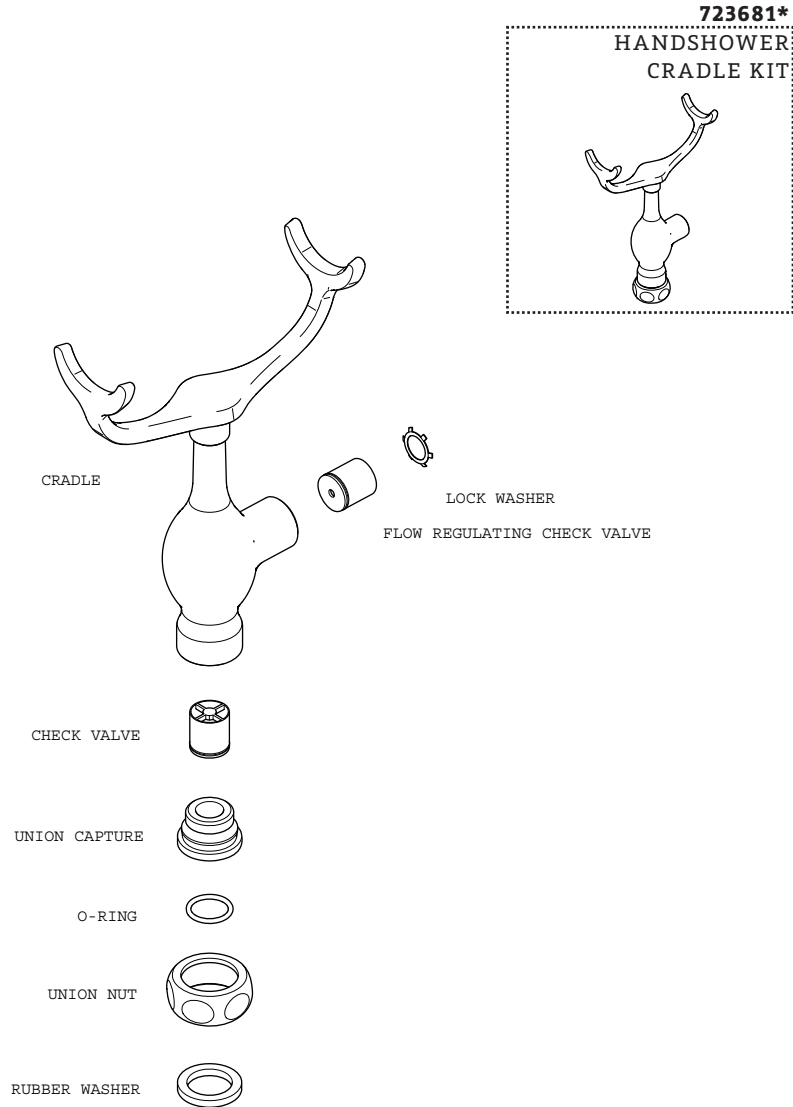
KIT COMPONENTS



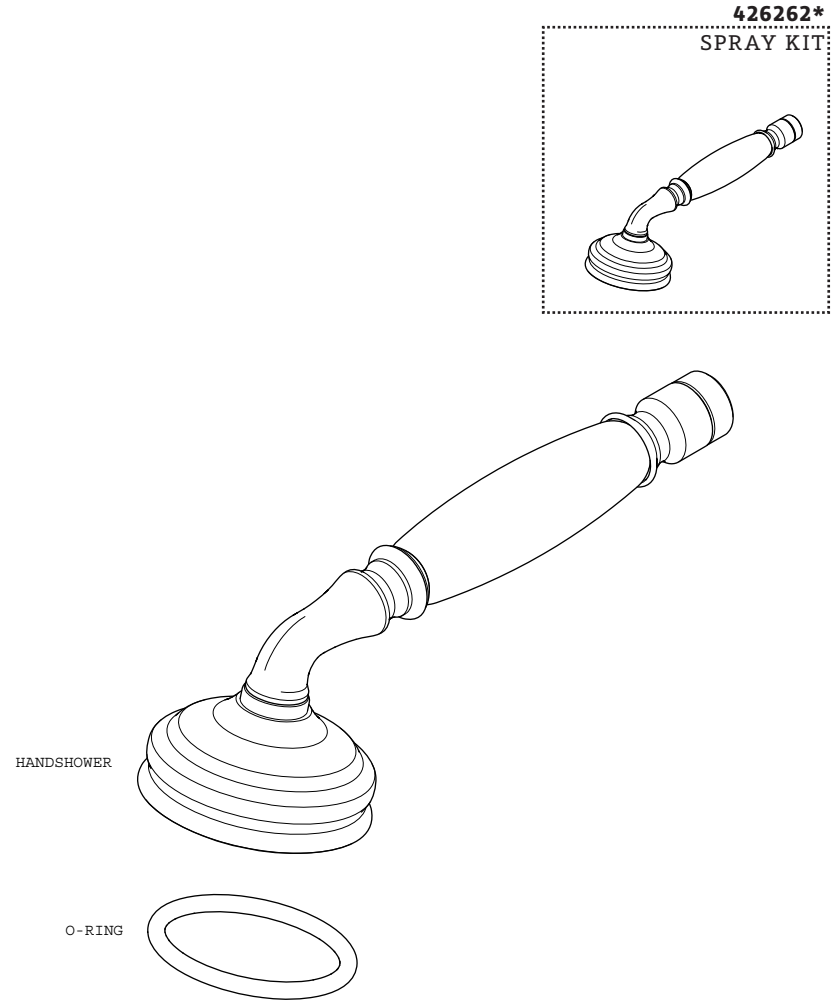
KIT COMPONENTS



KIT COMPONENTS

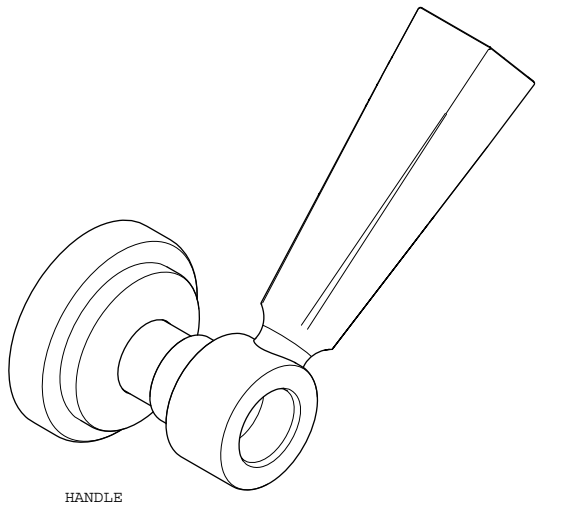
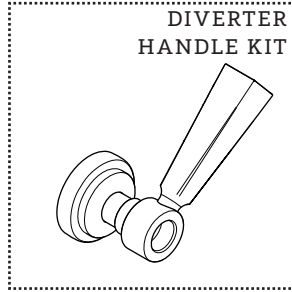


KIT COMPONENTS



KIT COMPONENTS

816511*
DIVERTER
HANDLE KIT

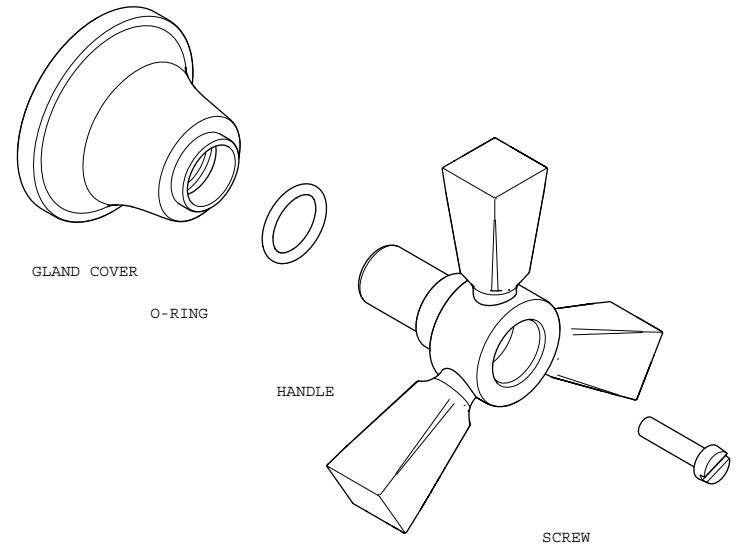
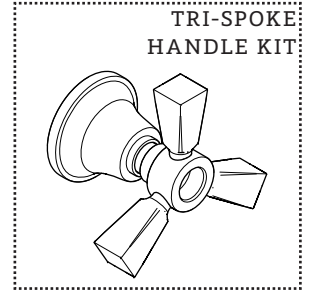


HANDLE

SCREW

KIT COMPONENTS

432450*
TRI-SPOKE
HANDLE KIT



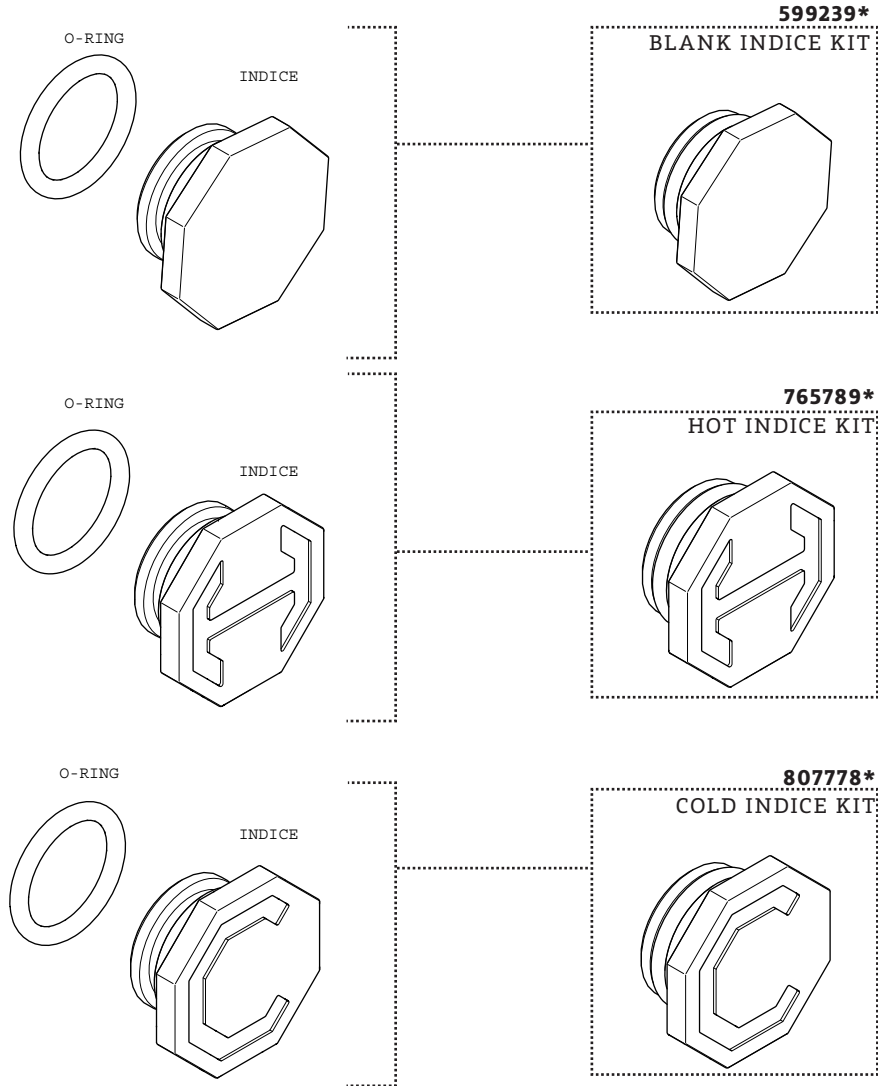
GLAND COVER

O-RING

HANDLE

SCREW

KIT COMPONENTS



*FINISH/COLOR MUST BE SPECIFIED WHEN ORDERING
++SUPPLIED AS A PAIR

SERVICE PARTS INDEX

<u>STYLE</u>	<u>DESCRIPTION</u>	<u>PG</u>
599239*	BLANK INDICE KIT	12
807778*	COLD INDICE KIT	12
337847	COUNTERCLOCKWISE ON VALVE CARTRIDGE	2
816511*	DIVERTER HANDLE KIT	10
956299	DIVERTER KIT	7
723681*	HANDSHOWER CRADLE KIT	8
435041*	HANDSHOWER HOSE KIT	3
765789*	HOT INDICE KIT	12
194193*	SPOUT KIT	6
426262*	SPRAY KIT	9
432450*	TRI-SPOKE HANDLE KIT	11
099303*	UNION KIT	5
209940*	UNION KIT	4



WATERWORKS
STUDIO

PRODUCT SUPPORT

60 BACKUS AVENUE
DANBURY, CT 06810

1 (800) 927-2120 (EXT 2)

WWW.WATERWORKS.COM/STUDIO