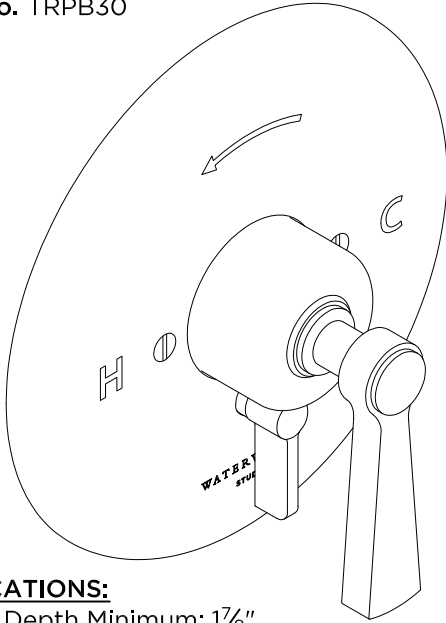


Metal Lever Handle  
**STYLE No. TRPB30**



**SPECIFICATIONS:**

Rough-in Depth Minimum: 1 $\frac{7}{8}$ "  
Rough-in Depth Maximum: 2 $\frac{7}{8}$ "  
Integrated Diverter: Yes

**REQUIRED PLUMBING DETAILS:**

Universal Pressure Balance with Diverter Valve  
STYLE No. GUPB87R  
CODE No. GUSV87R

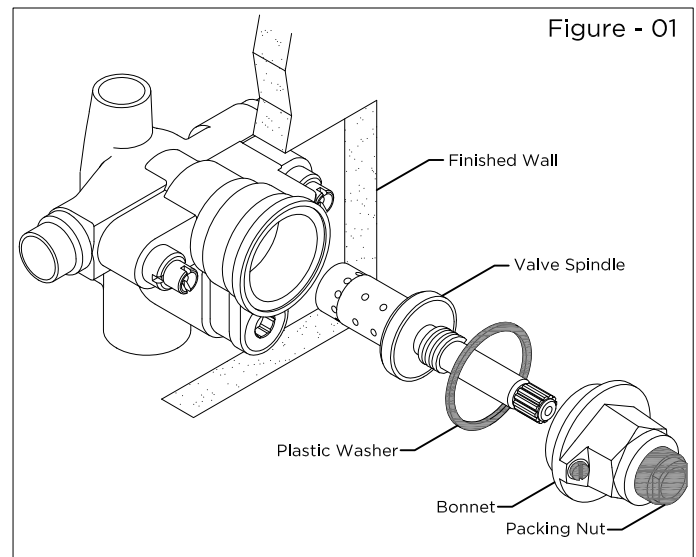
**IMPORTANT:**

- To ensure this product is installed properly, you must read and follow these guidelines.
- The owner/user of this product must keep this information for future reference.
- This product is intended to work with the Waterworks Universal Pressure Balance Valve (GUSV87R). The risk of scalding exists until the installer has properly calibrated/adjusted the temperature setting during final trim installation.
- The bottom outlet of the GUSV87R is intended for use with a tub spout only. The use of any fitting with a restricted flow, such as a handshower, will cause the diverter to not function properly.
- Do not use Pex piping from the valve to the tub spout. This will cause too much back pressure for the valve to function properly.
- Be sure your installation conforms to all federal, state, and local codes. In the State of Massachusetts, all installations must comply with the rules and regulations set forth within 248 CMR.
- This product must be installed by a professional licensed contractor.

- Refer to the specification and assembly drawings attached. Product is sold partially assembled but shown fully disassembled for illustrative and service purposes only.
- Inspect this product to ensure you have all parts required for proper installation.
- This product must be on-site prior to rough-in which allows the installer to visualize the installation.
- Use only a strap wrench or protected/smooth jaw wrench on any finished surface.

**VALVE OPERATION:**

1. When the finished wall is complete, turn on the hot and cold supplies and pull off the tile guard. Valve will not operate unless BOTH supplies are turned on.
2. The lever handle (1) is for controlling temperature only, not volume. Place the handle on the valve stem so it rests at 6 o'clock in the OFF position then turn the handle counter clockwise through the cold, then warm and stopping at the hot position. If additional rotational friction is required to maintain the handle position, tighten the packing nut.
3. Allow the valve to run in the warm position for a few minutes to completely flush the system. If the system is quite dirty, remove valve spindle to ensure proper flushing. Refer to the installation Guidelines for the Pressure Balance Valve which contains a complete parts breakdown and related information.



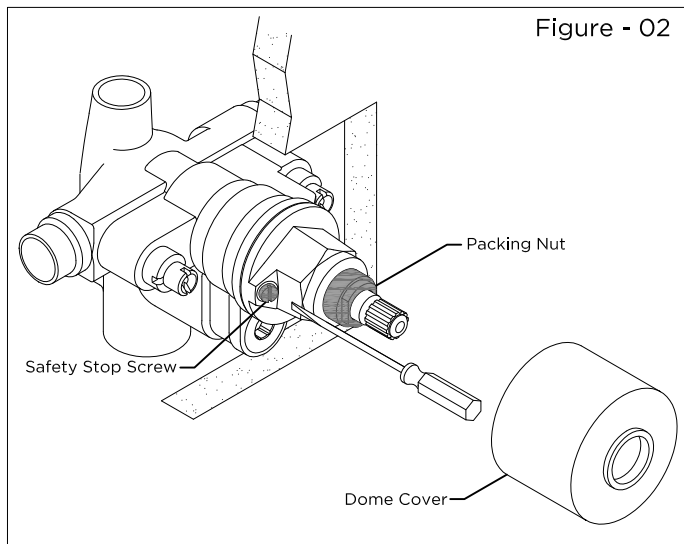
**HOT LIMIT SAFETY STOP CALIBRATION:**

- **IMPORTANT:** The Pressure Balance Valve is equipped with a hot limit safety stop screw to limit the valve handle from being turned to excessive hot water discharge temperatures.

These guidelines have been prepared for the professional contractor to aid in the installation of:  
**TRANSIT PRESSURE BALANCE WITH DIVERTER TRIM WITH METAL LEVER HANDLE (STYLE No. TRPB30).**  
All dimensions are based on origin specification and are subject to change and variation.  
Please consult your Design Associate for current specifications.

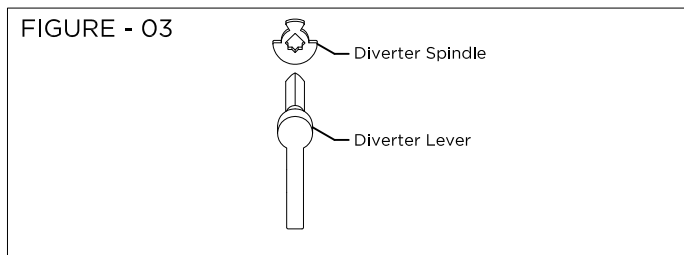
**WATERWORKS  
STUDIO**

- Remove the dome cover and open the valve to the maximum desired temperature verified with a thermometer and turn the safety stop screw clockwise until it seats. **WARNING: Failure to adjust the hot limit safety stop screw properly may result in serious scalding.**



**TRIM INSTALLATION:**

- Screw the nose cone (7) onto the packing nut until fully seated.
- Slide the trim plate (11) over the nose cone (7). Make sure the diverter lever (10) is properly aligned with the diverter spindle in the valve. See Figure - 03. If it is difficult to slide the plate over the nose cone, moisten the o-ring (9) inside the plate.

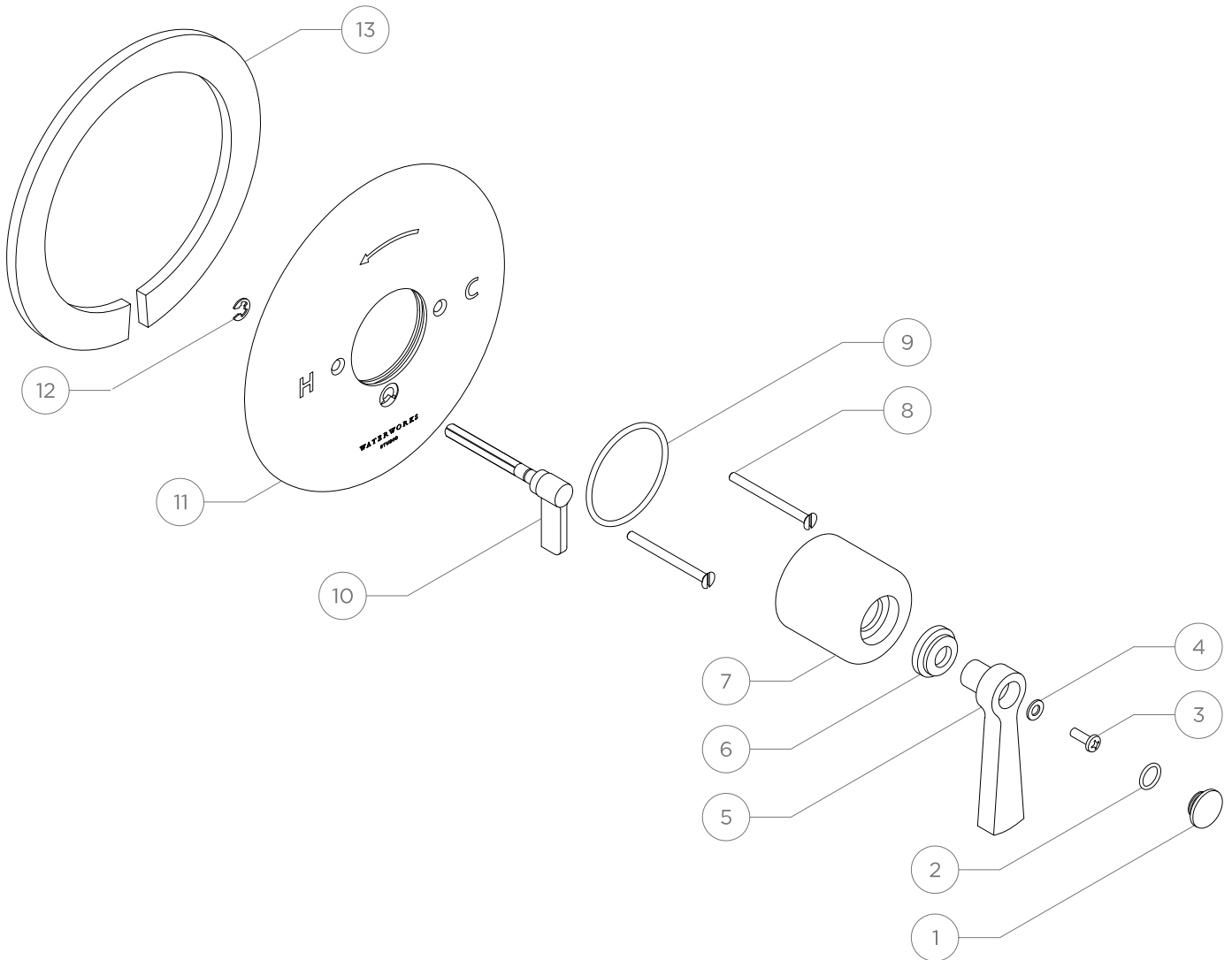


- Attach the trim plate to the valve with the screws (8) provided.
- Remove the indice (1) from the handle (5) to remove the screw (3) and washer (4).
- Slide the nose cone cap (6) over the valve stem then attach the handle to the stem using the screw (3) and washer (4).
- Re-insert the indice into the handle.

➤ If further assistance is required, contact Product Support at 1-800-927-2120 (8am-6pm EST).

These guidelines have been prepared for the professional contractor to aid in the installation of:  
TRANSIT PRESSURE BALANCE WITH DIVERTER TRIM WITH METAL LEVER HANDLE (STYLE No. TRPB30).  
All dimensions are based on origin specification and are subject to change and variation.  
Please consult your Design Associate for current specifications.

**WATERWORKS  
STUDIO**



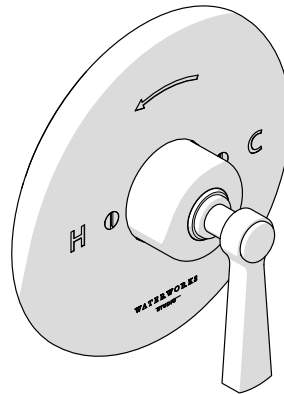
ITEM NO.	DESCRIPTION	QTY.
1	Indice, Transit	1
2	O-Ring, 10.1mm ID X 1.6mm Width, Rubber	1
3	Screw, Phillips, 1/2" Length	1
4	Spring Washer	1
5	Lever Handle, Transit	1
6	Nose Cone Cap	1
7	Nose Cone	1
8	Screw, Slotted, 51.5mm Length	2
9	O-Ring, 47.3mm ID x 2.6mm Width, Rubber	1
10	Diverter Lever	1
11	Trim Plate	1
12	Retaining Clip	1
13	Gasket	1

These guidelines have been prepared for the professional contractor to aid in the installation of:  
**TRANSIT PRESSURE BALANCE WITH DIVERTER TRIM WITH METAL LEVER HANDLE (STYLE No. TRPB30).**  
 All dimensions are based on origin specification and are subject to change and variation.  
 Please consult your Design Associate for current specifications.

**WATERWORKS**  
**STUDIO**

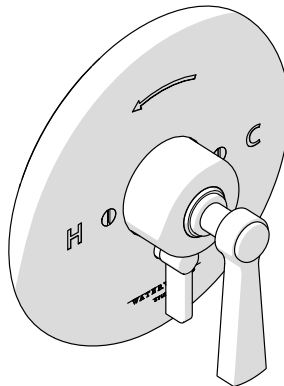
# WATERWORKS STUDIO

## SERVICE PARTS



### **STYLE TRPB10**

Transit Pressure Balance Control Valve Trim with Metal Lever Handles



### **STYLE TRPB30**

Transit Pressure Balance with Diverter Trim with Metal Lever Handles

---

WELCOME TO

# WATERWORKS STUDIO

Over thirty years of experience distilled into signature fittings, surfaces, textiles, and accessories. Waterworks Studio is an edited collection of design solutions curated to be concise, engineered to be complete, and crafted for quality.

*Everything you need, nothing more.*

---

**TO ORDER PARTS CALL  
1 (800) 927-2120 (EXT 2)**

Order by part number and specify color, finish, or other options if required.

**PRODUCT SUPPORT**

Our Product Support team provides troubleshooting and technical problem resolution, including replacement parts and installation recommendations throughout the life of your product.

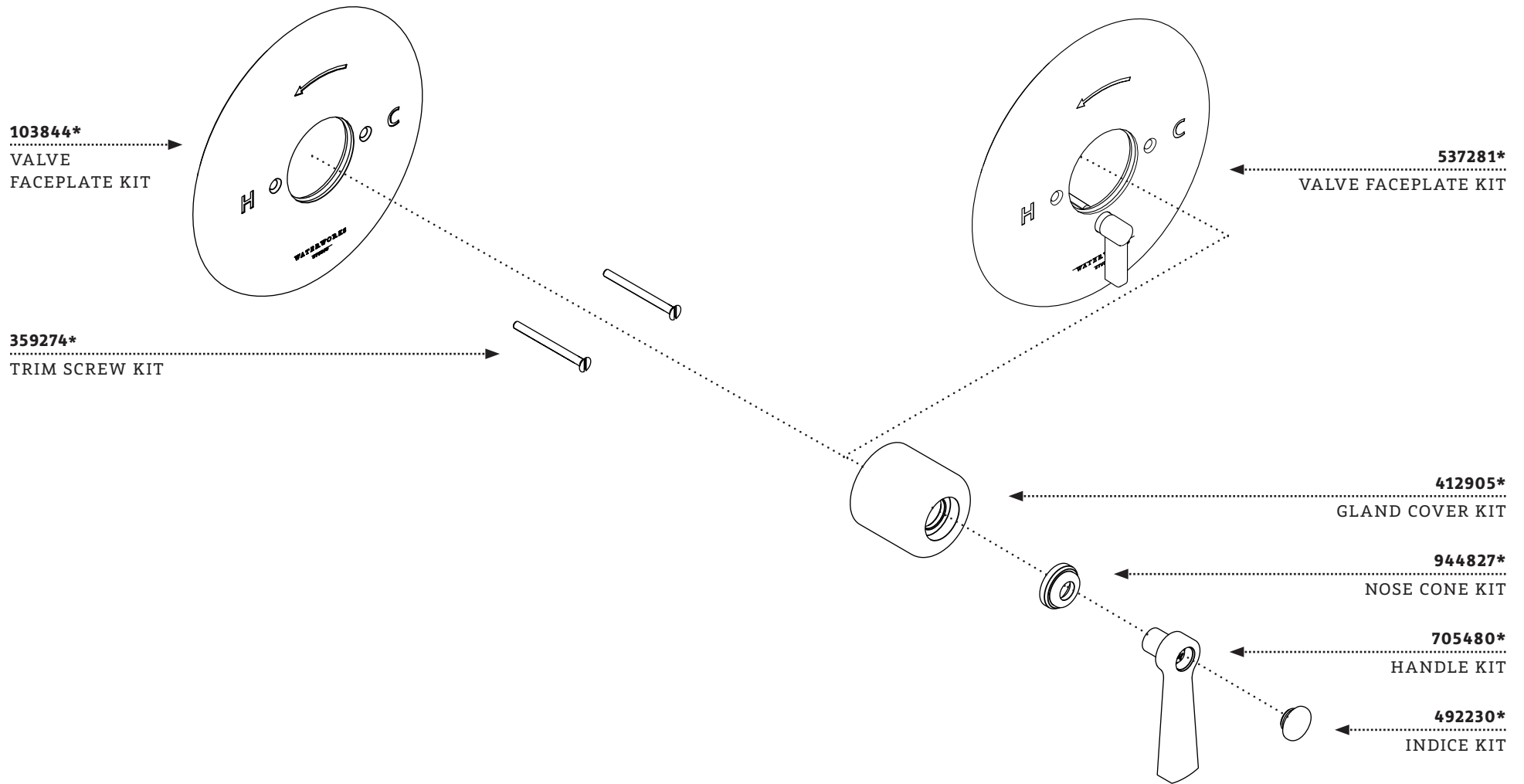
Product Support is available Monday through Friday, 9am-6pm.

**LIMITED LIFETIME  
WARRANTY**

Our warranty covers repair and replacement of Waterworks products if within the applicable coverage period and deemed defective by Waterworks. Waterworks will, at its option, repair or replace such products; this does not include installation costs, labor charges, or other incidental or consequential costs.

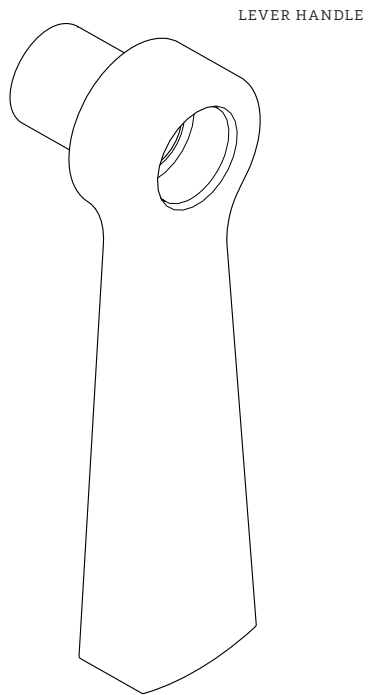
To obtain your complete warranty or inquire about warranty service, please visit us at [www.waterworks.com](http://www.waterworks.com) or contact our Product Support Team.

**MAIN KITS**



**KIT COMPONENTS**

705480\*



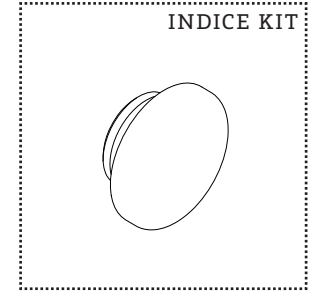
METAL  
WASHER

SCREW

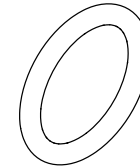
224846  
HANDLE  
SCREW KIT

**KIT COMPONENTS**

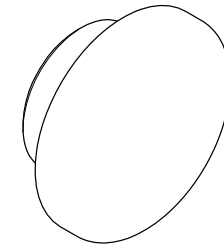
492230\*



O-RING

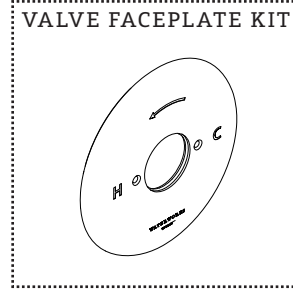


INDICE

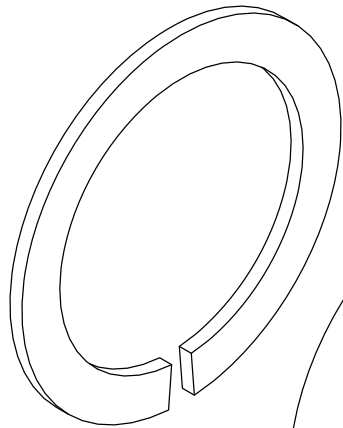


**KIT COMPONENTS**

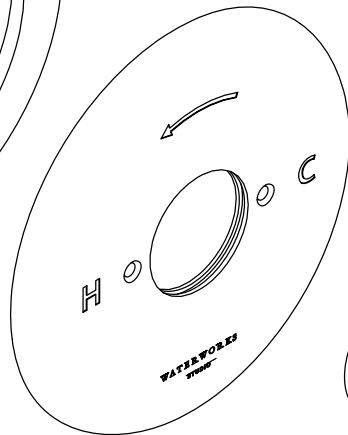
103844\*



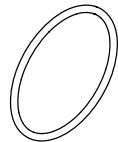
GASKET



TRIM PLATE

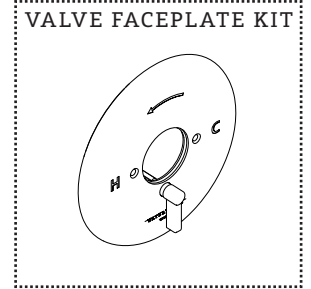


O-RING

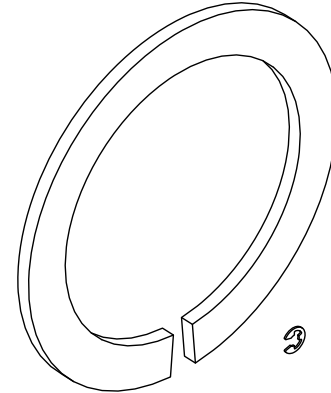


**KIT COMPONENTS**

537281\*

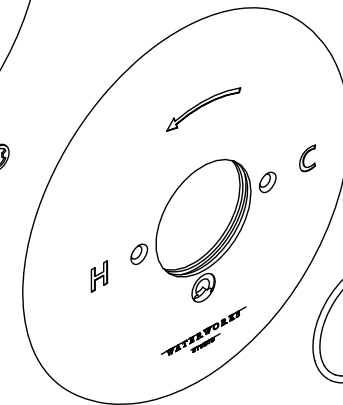


GASKET

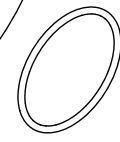


CLIP

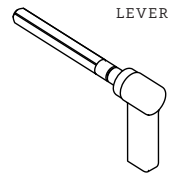
TRIM PLATE



O-RING



DIVERTER  
LEVER





**NOTES**

**SERVICE PARTS INDEX**

<u>STYLE</u>	<u>DESCRIPTION</u>	<u>PG</u>
412905*	GLAND COVER KIT	3
705480*	HANDLE KIT	4
224846	HANDLE SCREW KIT	4
492230*	INDICE KIT	5
944827*	NOSE CONE KIT	3
359274*	TRIM SCREW KIT	2
103844*	VALVE FACEPLATE KIT	6
537281*	VALVE FACEPLATE KIT	7

WATERWORKS  
STUDIO

**PRODUCT SUPPORT**

60 BACKUS AVENUE  
DANBURY, CT 06810

1 (800) 927-2120 (EXT 2)

[WWW.WATERWORKS.COM/STUDIO](http://WWW.WATERWORKS.COM/STUDIO)