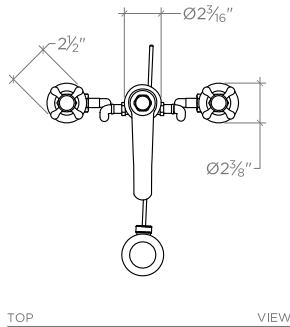
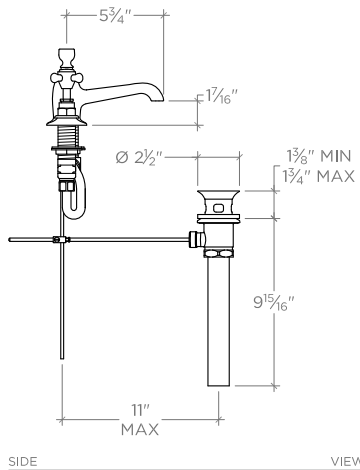
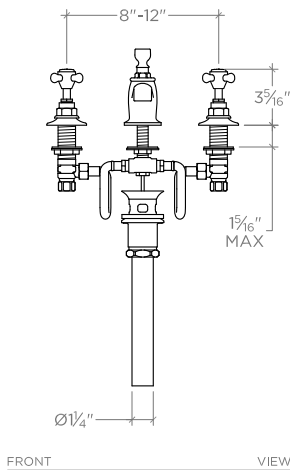
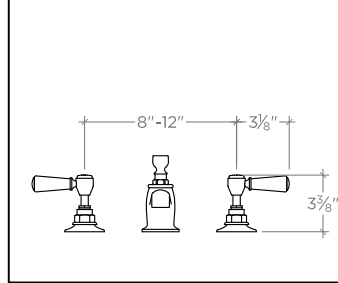


**HGLS01 (Cross Handle)****HGLS02 (Lever Handle)****IMPORTANT:**

- To ensure this product is installed properly, you must read and follow these guidelines.
- The owner/user of this product must keep this information for future reference.
- Be sure your installation conforms to federal, state, and local codes.
- Refer to the specification and assembly drawings attached. This product is sold partially assembled but shown fully disassembled for illustrative and service purposes only.
- Inspect this product to assure you have all parts required for proper installation.
- Use only a strap wrench or protected/smooth-jaw wrench on any finished surface.
- If possible, install the faucet assembly on the sink or mounting surface before setting.
- Do NOT use putty during this installation.

**SIDE VALVE INSTALLATION:**

1. Remove the lever handle assembly (1-8) or cross handle assembly (6-9,51) from the side valve by unthreading the gland cover (8) and then removing the escutcheon (10,11) and fiber washer (12).
2. With the mounting nut (14) and rubber washer (13) installed on the side valve (16), insert the side valve into the hole in the mounting surface so at least  $\frac{1}{2}$ " of threads are exposed.
3. Reinstall the fiber washer and then thread the escutcheon onto the side valve.
4. Thread the handle assembly onto the side valve until it stops. Hand tight is adequate; if this assembly is too tight, the handle will bind.
5. Unthread the escutcheon until it contacts the gland cover (8), which will assure proper side valve height.
6. Tighten the mounting nut up against the underside of the mounting surface to secure the side valve.
7. Repeat these steps to install the second side valve.

**SPOUT INSTALLATION:**

8. Unthread the tee nut (32,33), pull off the tee (31) and then remove the spout mounting hardware (29-30).
9. Unthread the upper spout nut (22) from the spout (24).
10. Unthread the pop-up knob (19,20) from the upper vertical lift rod (21).
11. Insert the upper vertical lift rod into the upper spout nut and reattach the pop-up knob.
12. Thread the lower vertical lift rod (23) onto the upper lift rod (21) and then insert this assembly into the spout. Tighten the upper spout nut.
13. Insert the spout assembly through the spout hole in the mounting surface, reinstall the spout washers making sure the lift rod passes through the appropriate openings.
14. Verify the pop-up knob sits flush down onto the spout and then tighten the spout mounting nut (30) to secure the spout to the mounting surface.
15. Position the tee so the smaller ID opening will seal against the spout shank o-ring (26) and then push the tee onto the spout shank. Make sure the tee is seated properly onto the spout shank to prevent damage to the o-ring.

These guidelines have been prepared for the professional contractor to aid in the installation of:  
**HIGHGATE LOW PROFILE THREE HOLE DECK MOUNTED LAVATORY FAUCET (HGLS01 & HGLS02).**  
 All dimensions are based on origin specification and are subject to change and variation.  
 Please consult your Design Associate for current specifications.

**WATERWORKS**

16. Secure the tee to the spout shank by tightening the tee nut (32,33).

17. Connect each of the supply hoses (37) to the adjacent side valves and tee. Make sure the fiber washers (38) are used at the tee/hose connection and the hoses are not pinched/kinked.

#### **DRAIN INSTALLATION**

18. Remove the upper drain body (41) from the pop-up drain assembly and discard the foam washer (42).

19. Set the upper drain body in the lavatory drain opening using a clear adhesive silicone.

20. Re-attach the lower drain body (44) using the rubber gasket (43) provided and then tighten until fully secured. A clear adhesive silicone may be used to ensure a water-tight seal between the gasket and lavatory.

21. Remove the knurled nut (49) from the lower drain body (44) and then insert the horizontal pivot rod (48) and reattach the knurled nut.

22. Connect the vertical lift rod (23) to the horizontal pivot rod (48) using the linkage (34) provided. Note that these rods may be field cut.

23. Attach the tail piece (46,47) using the rubber washer (45) provided.

24. Connect the side valves (16) to the water supply valves (not supplied).

#### **INSPECT THE INSTALLATION:**

25. Carefully open the hot and cold valves to flush out any debris in the supply lines. The flow restrictor (25) is located in the spout shank inlet and is accessed by removing the tee.

26. Inspect all connections for leaks.

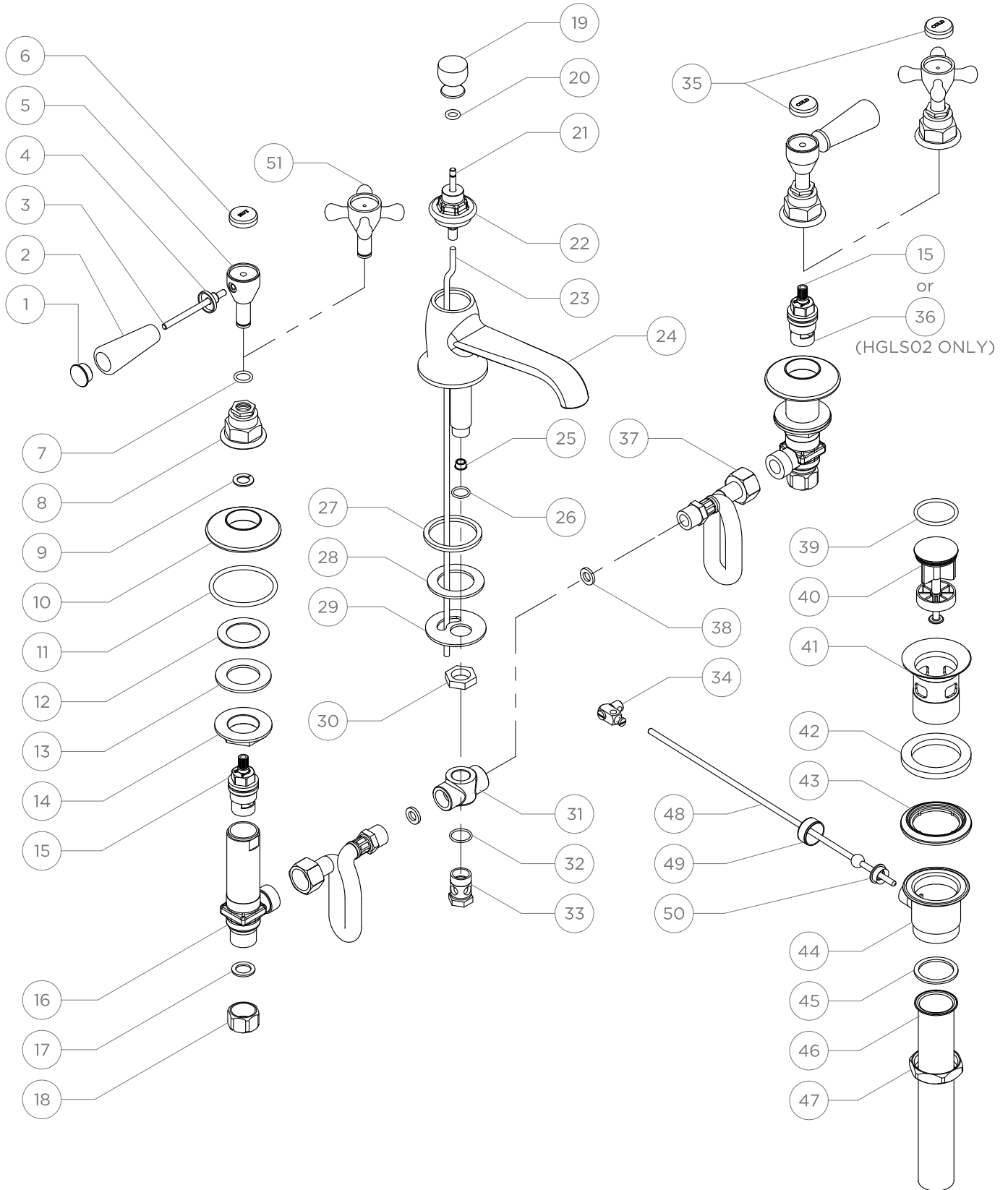
27. Close the drain and then fill the sink with water to make sure the drain stopper (39,40) operates and seals properly.

27a. To adjust the height of the drain stopper, turn the adjustment screw at the base of the stopper and then tighten the locking nut to secure.

27b. The linkage (34) position will effect drain stopper function, adjust as needed.

These guidelines have been prepared for the professional contractor to aid in the installation of:  
**HIGHGATE LOW PROFILE THREE HOLE DECK MOUNTED LAVATORY FAUCET (HGLS01 & HGLS02)**  
 All dimensions are based on origin specification and are subject to change and variation.  
 Please consult your Design Associate for current specifications.

**WATERWORKS**



These guidelines have been prepared for the professional contractor to aid in the installation of:  
**HIGHGATE LOW PROFILE THREE HOLE DECK MOUNTED LAVATORY FAUCET (HGLS01 & HGLS02)**  
 All dimensions are based on origin specification and are subject to change and variation.  
 Please consult your Design Associate for current specifications.

**WATERWORKS**

**HGLS01 (Cross Handle)**

ITEM NO.	DESCRIPTION	QTY.
15	1/2" Cartridge, CCW Open	2
51	Cross Handle, Highgate	2

**HGLS02 (Lever Handle)**

1	Lever Handle Cap, Highgate	2
2	Lever Handle Sleeve, White Porcelain	2
3	Threaded Rod, 68mm Length	2
4	Handle Capture, Highgate	2
5	Lever Handle Hub, Highgate	1
15	1/2" Cartridge, CCW Open	1
36	1/2" Cartridge, CW Open	1

**COMMON PARTS**

6	Index, Hot, Highgate	2
7	O-Ring, 11mm ID x 2mm Width, Rubber	2
8	Gland Cover, Highgate	2
9	C-Clip, Plastic	2
10	Escutcheon Highgate	2
11	O-Ring, 48mm ID x 3mm Width, Rubber	2
12	Washer, 27mm ID x 41mm OD x 1mm Thickness, Fiber	2
13	Washer, 26mm ID x 44mm OD x 2mm Thickness, Rubber	2
14	Mounting Nut	2
16	Side Valve Body	2
17	Washer, 12.3mm ID x 18.5mm OD x 1.4mm Thickness, Fiber	2
18	Compression Nut	2
19	Pop-Up Knob	1
20	O-Ring, 7mm ID x 2.5mm Width, Rubber	1
21	Upper Vertical Lift Rod	1
22	Spout Nut, Highgate	1
23	Vertical Lift Rod	1
24	Low Profile Spout, Highgate	1
25	Flow Restrictor	1
26	O-Ring, 13mm ID x 1mm Width, Rubber	1
27	Washer, 38mm ID x 46mm OD x 3mm Thickness, Rubber	1
28	Washer, 29mm ID x 45mm OD x 2mm Thickness, Rubber	1
29	Spout Spacer Plate	1
30	Drain Spout Nut	1
31	Spout Tee	1
32	O-Ring, 15mm ID x 1.5mm Width, Rubber	1
33	Packing Nut	1
34	Drain Rod Linkage	1
35	Index, Cold, Highgate	1
37	Supply Hose	2
38	Washer, 8mm ID x 14mm OD x 2mm Thickness, Fiber	2
39	O-Ring, 32mm ID x 3mm Width, Rubber	1
40	Drain Pop-Up	1
41	Upper Drain Body	1
42	Washer, 44.5mm ID x 62.8mm OD x 6.1mm Thickness, Foam	1
43	Formed Gasket, 42mm ID x 65mm OD, Rubber	1
44	Lower Drain Body	1
45	Washer, 32mm ID x 39mm OD x 2mm Thickness, Rubber	1
46	Drain Pipe	1
47	Drain Nut	1
48	Horizontal Pivot Rod	1
49	Drain Rod Nut	1
50	Socket Joint, Plastic	1

These guidelines have been prepared for the professional contractor to aid in the installation of:  
**HIGHGATE LOW PROFILE THREE HOLE DECK MOUNTED LAVATORY FAUCET (HGLS01 & HGLS02).**  
 All dimensions are based on origin specification and are subject to change and variation.  
 Please consult your Design Associate for current specifications.

**WATERWORKS**