

# YORKTOWN AIR SWITCH

## Model # 8510



### PRODUCT DESCRIPTION

- Part of the Yorktown Transitional Suite.
- Unique angular design.
- Convenient alternative to a wall switch.
- Great for kitchen sink, kitchen island or counter tops.
- Above the deck design.
- Air-activated.
- Easy operation and prevents broken fingernails.
- Includes two-outlet control box and tubing.
- Isolated from electrical connections.
- Solid brass construction.
- Simplifies first time disposer installations.
- Easily replaceable air pump.
- Made in the USA.

### CONNECTION BOX

- On/Off safety air switch.
- Pressing air switch will alternately activate or deactivate two pieces of equipment plugged into the box.

### CODES/STANDARDS APPLICABLE

Specified model meets or exceeds the following:

- **UL**
- **CSA Enclosure Type 2**
- **ADA Compliant**

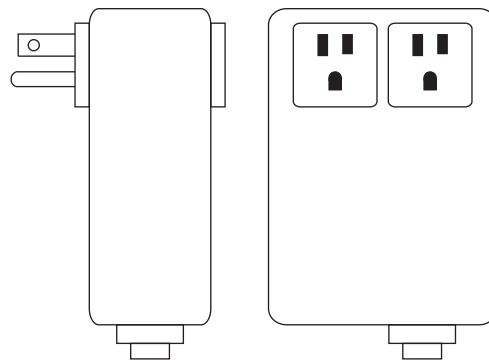
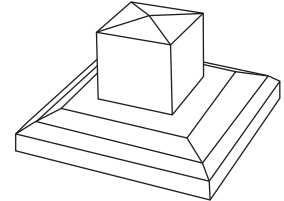
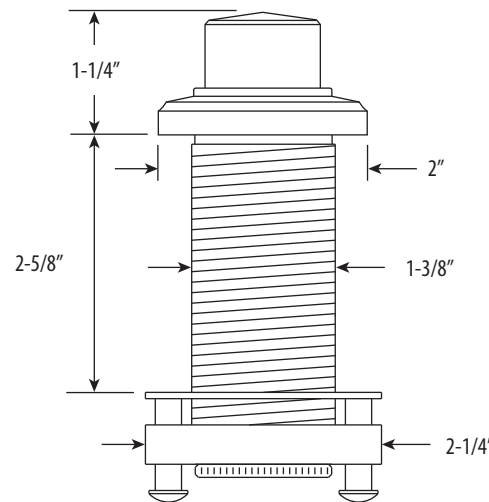
### AVAILABLE IN 30 FINISHES + SOLID 316 MARINE GRADE STAINLESS STEEL

Antique Brass - AB  
Antique Bronze - ABZ  
Antique Copper - AC  
American Bronze - AMB  
Antique Pewter - AP  
Gloss Black - GB  
Black Nickel - BLN  
Black-Oil Rubbed Bronze - ORB  
Caribbean Bronze - CB  
Chocolate Bronze - CHB  
Chrome - CH

Classic Bronze - CLZ  
Distressed Antique Brass - DAB  
Distressed Antique Copper - DAC  
Distressed American Bronze - DAMB  
Distressed Antique Pewter - DAP  
Matte Black - MB  
Polished Brass - PB  
Polished Copper - PC  
Polished Gold - PG  
Polished Nickel - PN  
Satin Brass - SB

Satin Chrome - SC  
Satin Gold - SG  
Satin Nickel - SN  
Stainless Steel - SS\*  
Tuscan Brass - TB  
Unlaquered Polished Brass - UPB  
Venetian Bronze - VB  
Weathered Brass - WB  
Weathered Copper - WC

- Max Counter Thickness 2-5/8"
- Install Hole Size Adaptable Up to 1-1/2"



### Connection Box

4-1/4"H x 3"W x 2"D  
120v 15Amp 1Hp  
Tubing included



DIMENSIONS MAY VARY AND ARE SUBJECT TO CHANGE. NO RESPONSIBILITY IS ASSUMED FOR USE OF SUPERCEDED OR VOIDED DATA