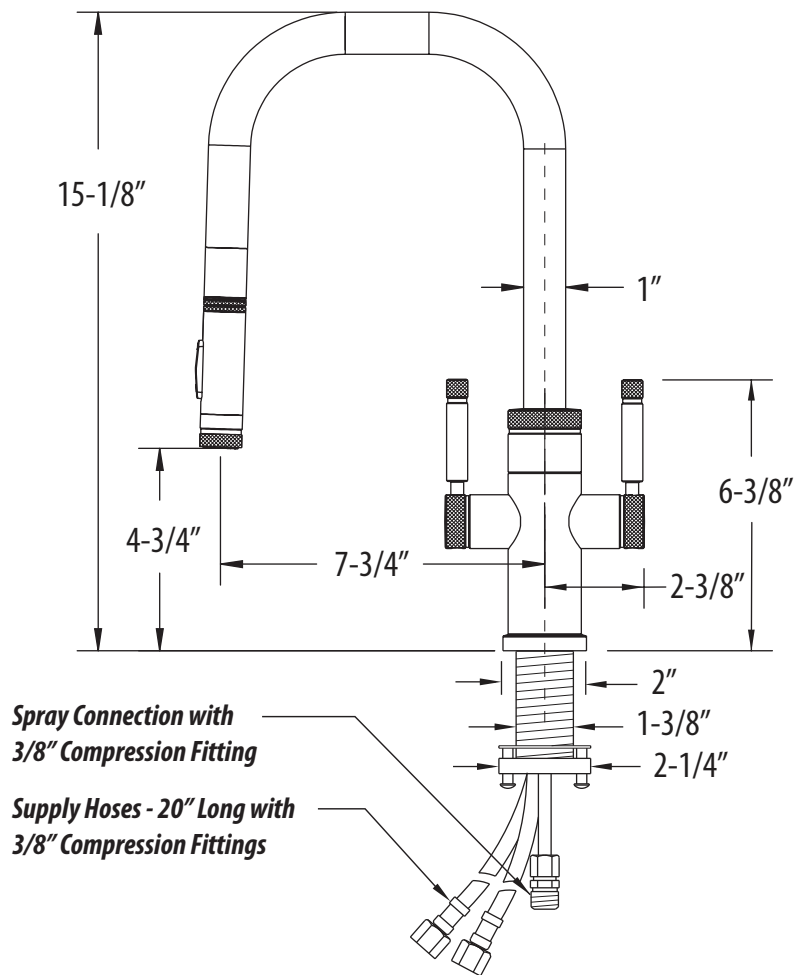
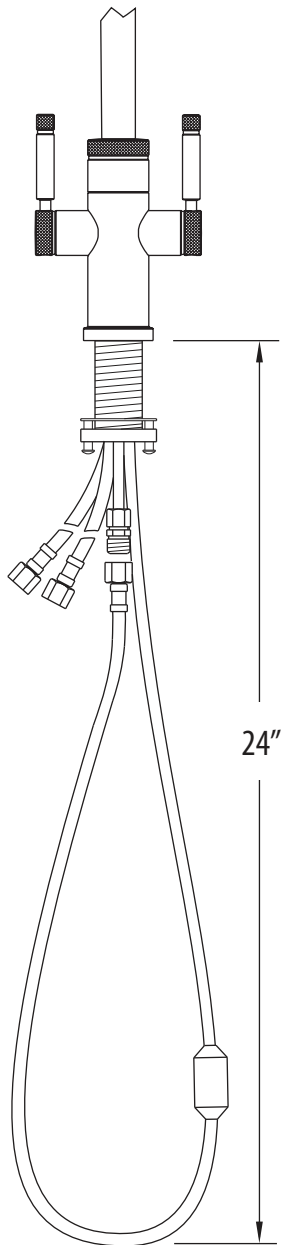


FULTON INDUSTRIAL PREP SIZE TWO HANDLED PLP PULLDOWN / TOGGLE

10232

- **M**ax Counter Thickness 2-3/8"
- **M**inimum Install Hole Size 1-1/2"



DIMENSIONS MAY VARY AND ARE SUBJECT TO CHANGE. NO RESPONSIBILITY IS ASSUMED FOR USE OF SUPERCEDED OR VOIDED DATA

