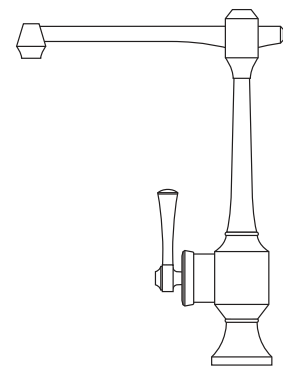


YORKTOWN KITCHEN FAUCET INSTALLATION INSTRUCTIONS

Model #:
8500



8500

BEFORE YOU BEGIN YOUR INSTALLATION:

1



Turn off water supply.

2



Observe all local plumbing codes.

3



Inspect plumbing for signs of damage. Replace as necessary.

4



DO NOT use petroleum based products on this faucet.

REQUIRED TOOLS:



Adjustable Wrench



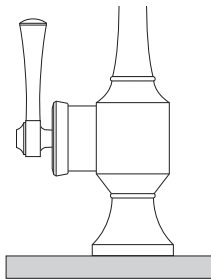
Phillips Screwdriver



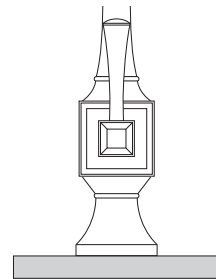
Channel Locks

HANDLE POSITION

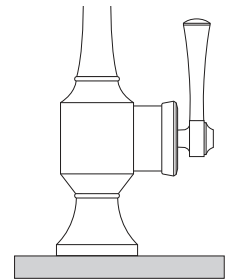
Waterstone faucets are designed to be installed in 3 different faucet positions. Choose to have the handle on left, front or right. Your faucet is factory configured for the most common positions - a front and right side installation. To reverse this and have the handle positioned on the left, connect the hose for cold water to the hot supply and the hose for hot water to the cold supply. This will maintain the relationship of pulling the handle for hot water or pushing for cold water.



HANDLE ON LEFT



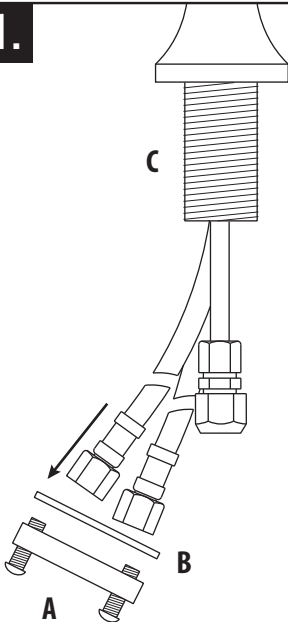
HANDLE IN FRONT



HANDLE ON RIGHT

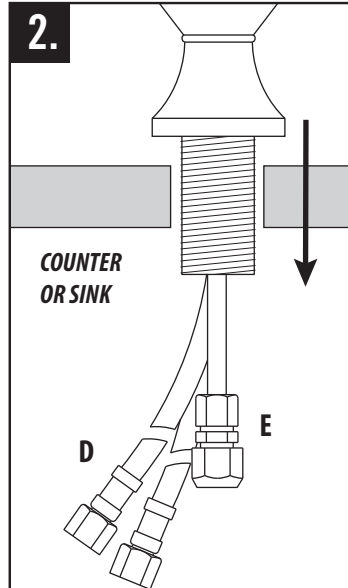
FAUCET INSTALLATION

1.



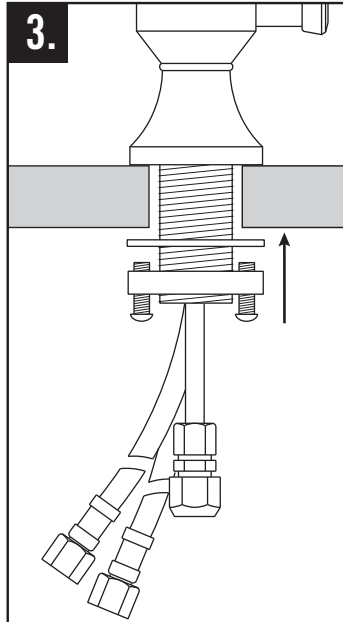
Remove clamp nut (A) and washer (B) from threaded shroud (C).

2.



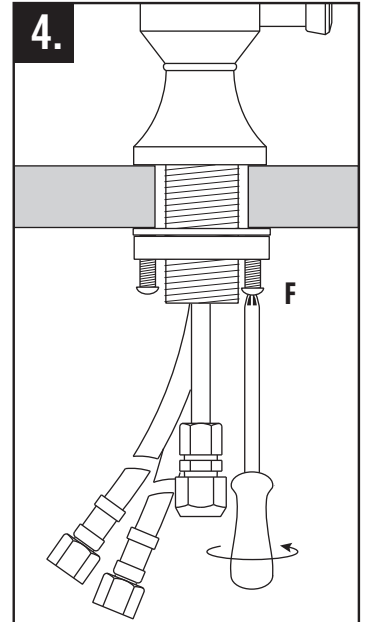
Fit flexible hoses (D) and rigid sidespray tube (E) through hole on counter or sink. (No plumbers putty is required. O-ring seals base).

3.



Slide washer and thread the clamp nut onto threaded shroud. Tighten nut snug to underside of sink or counter.

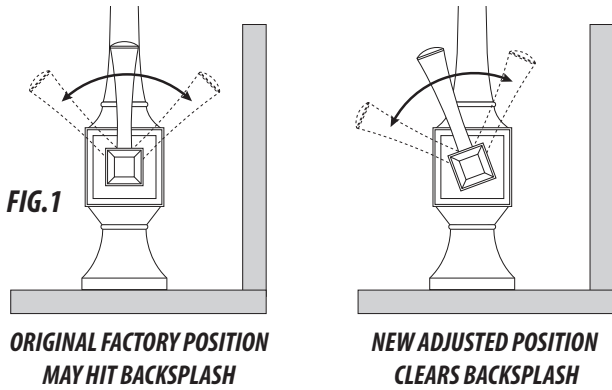
4.



Turn faucet to the desired handle position. Securely tighten clamp screws (F).

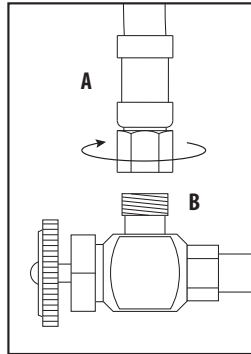
HANDLE ADJUSTMENT

On some kitchen countertops, the handle may hit the backsplash when the faucet handle is positioned to the left or right (Fig. 1). Waterstone gives you the option of adjusting the handle 22.5 degrees to avoid hitting backsplash.

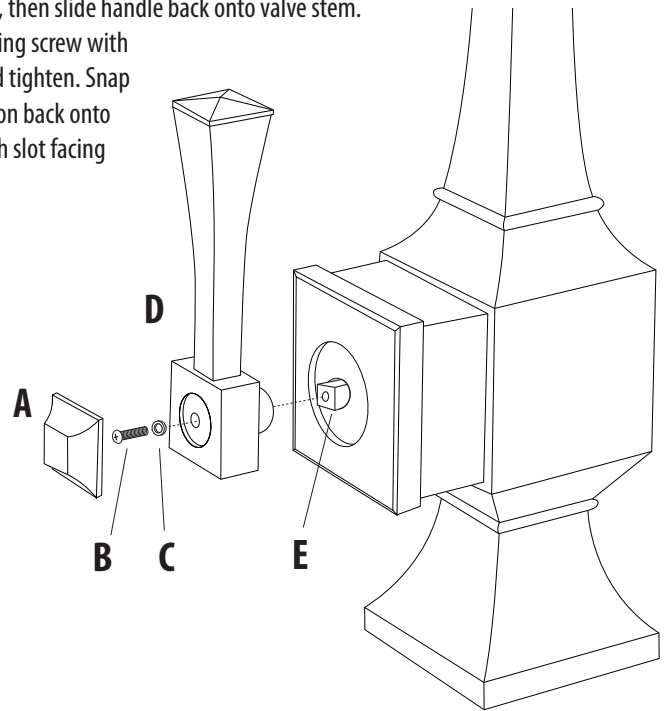


CONNECTING SUPPLY HOSES

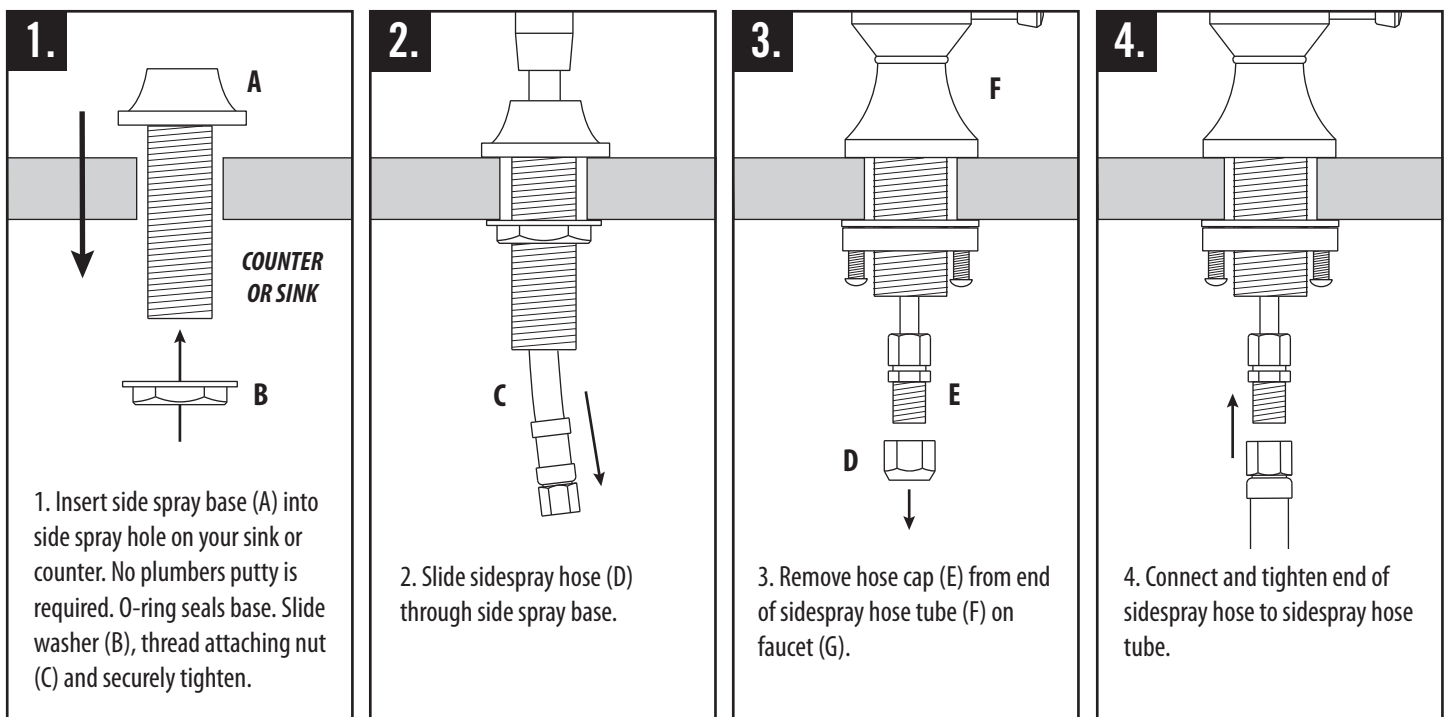
Before connecting supply hoses, flush supply stops to clear any debris. Place a bucket underneath stops and run water for 5 to 10 seconds. Turn water off. Carefully position hot and cold supplies so they will not interfere with other hoses. Connect supply hoses (A) to supply stops (B). **DO NOT** use teflon tape or plumbers putty. Turn water back on and check for leaks.



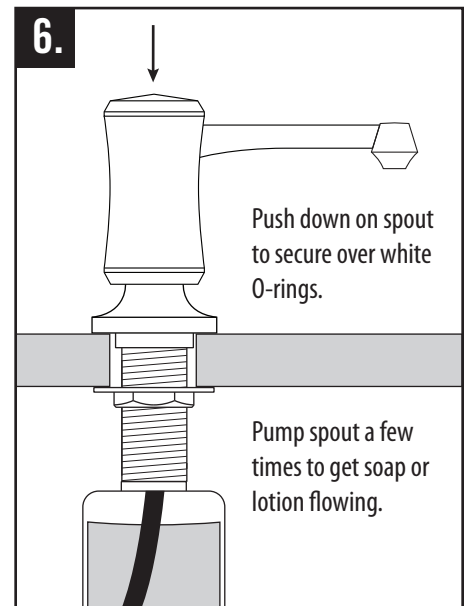
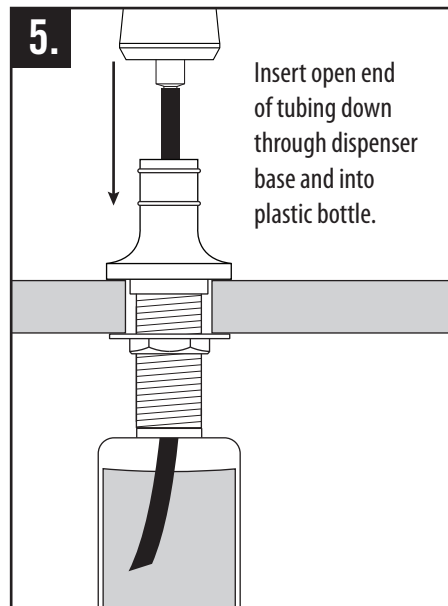
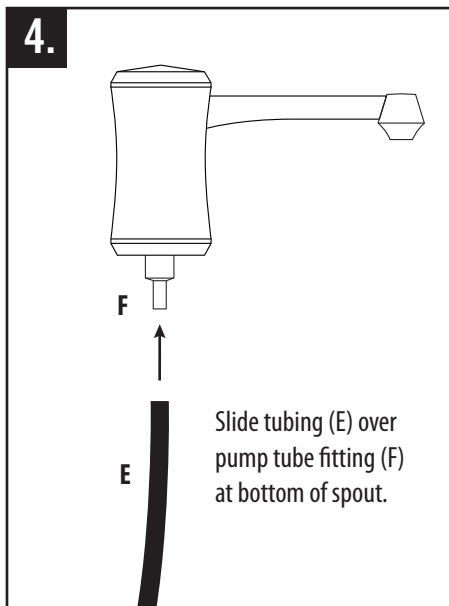
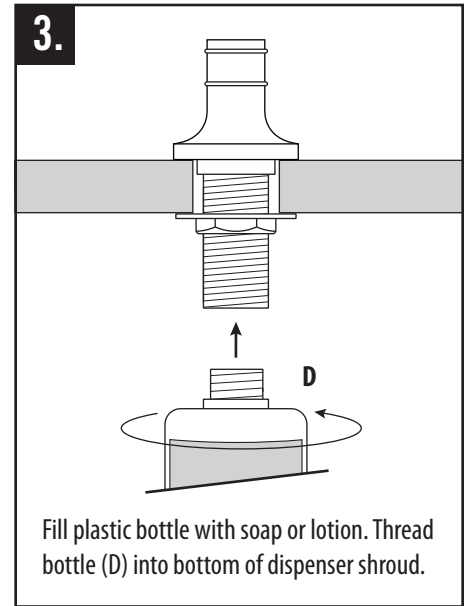
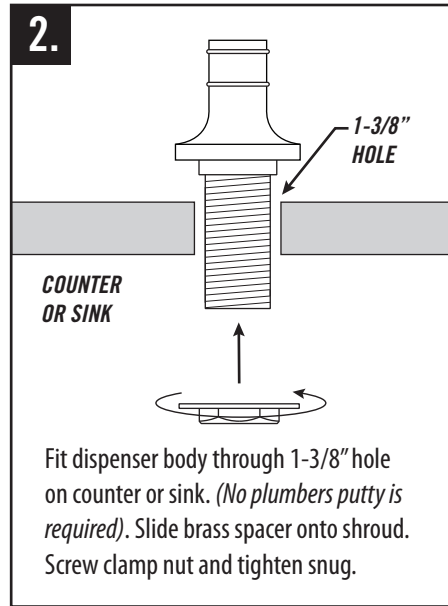
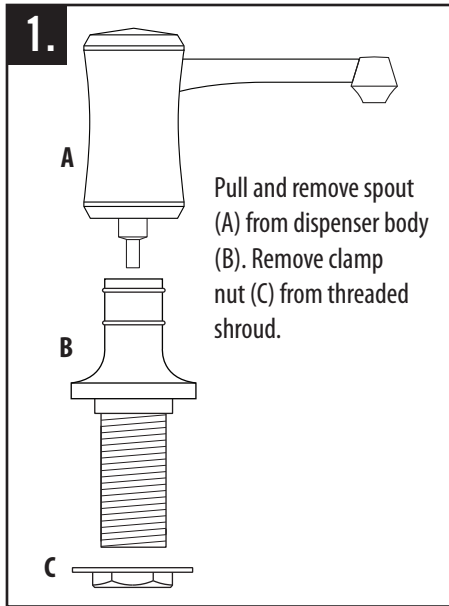
Using the small slot at bottom, pry and remove the metal cap (A). Unscrew and remove holding screw (B) and washer (C). Hold the handle (D) in a vertical position. Pull straight off valve stem (E). Rotate handle away from backsplash 22 degrees, then slide handle back onto valve stem. Insert holding screw with washer and tighten. Snap metal button back onto handle with slot facing down.



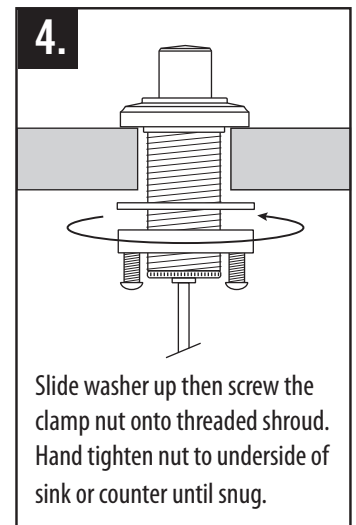
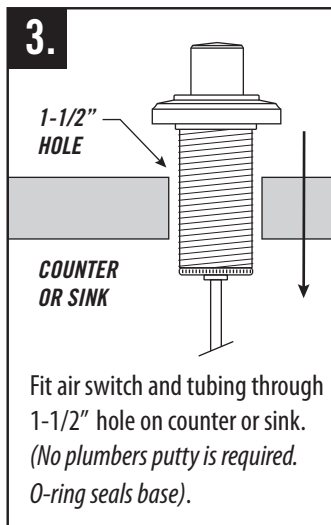
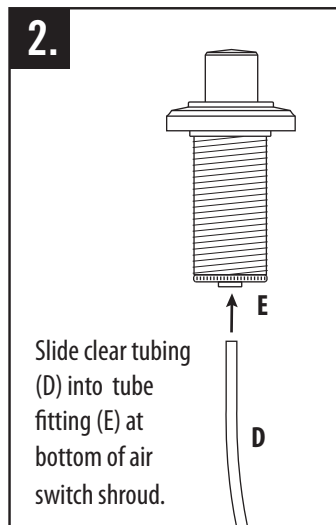
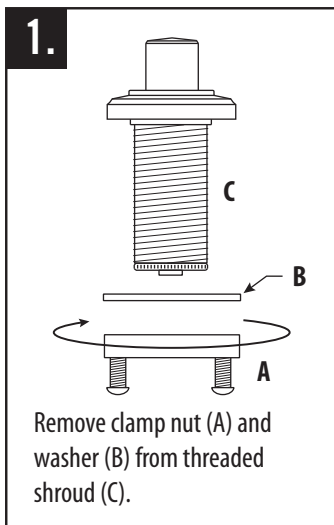
CONNECTING OPTIONAL SIDE SPRAY



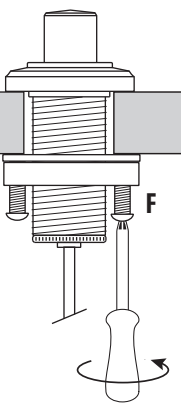
INSTALL SOAP/LOTION DISPENSER (OPTIONAL)



INSTALL AIR SWITCH (OPTIONAL)

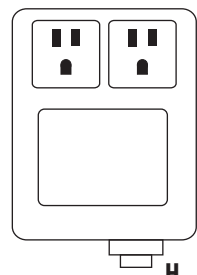


5.



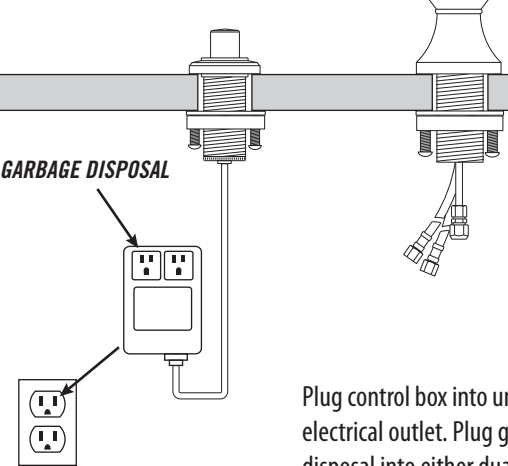
Tighten clamp screws (F) securely with screwdriver.

6.



Slide other end of tubing (G) into tube fitting at bottom of control box (H).

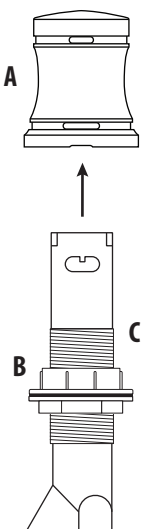
7.



Plug control box into undersink electrical outlet. Plug garbage disposal into either dual outlet.

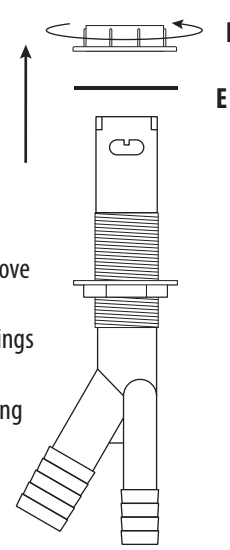
INSTALL SINGLE PORT AIR GAP (OPTIONAL)

1.



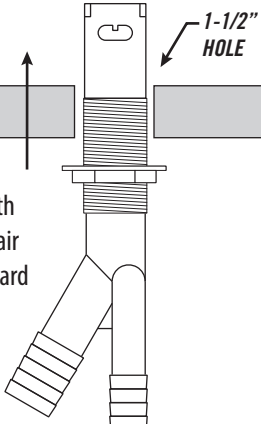
Twist and pull air gap cover (A) off of upper cap nut (B). Unscrew and remove cap nut from piping (C).

2.



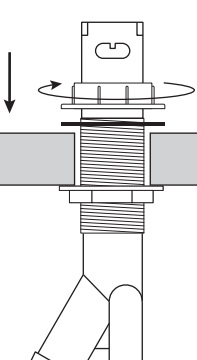
Unscrew and remove top clamp nut (D) from both threadings on piping. Slide gasket (E) off piping and remove.

3.



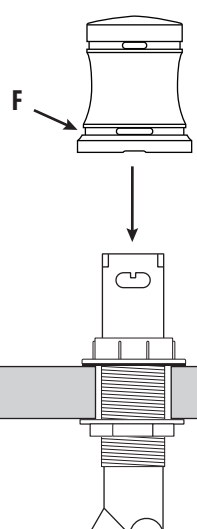
From underneath countertop, fit air gap piping upward through 1-1/2" hole.

4.



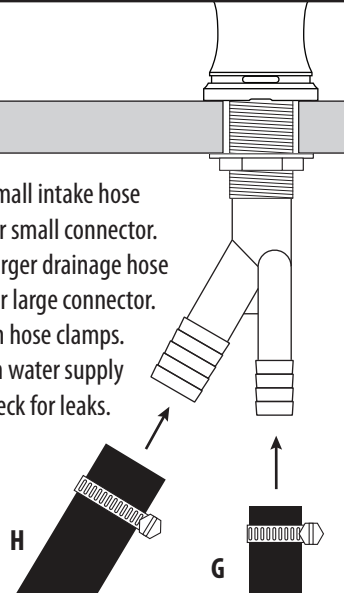
Slide gasket down and screw top clamp nut back onto piping. Adjust the two clamp nuts to fit countertop thickness. (No plumbers putty is required).

5.



Screw cap nut back onto top of piping until snug. Slide air gap over cap nut and top clamp nut. Be sure to have overflow holes (F) facing sink.

6.



Slide small intake hose (G) over small connector. Slide larger drainage hose (H) over large connector. Tighten hose clamps. Turn on water supply and check for leaks.

INSTALL DUAL PORT AIR GAP (OPTIONAL)

