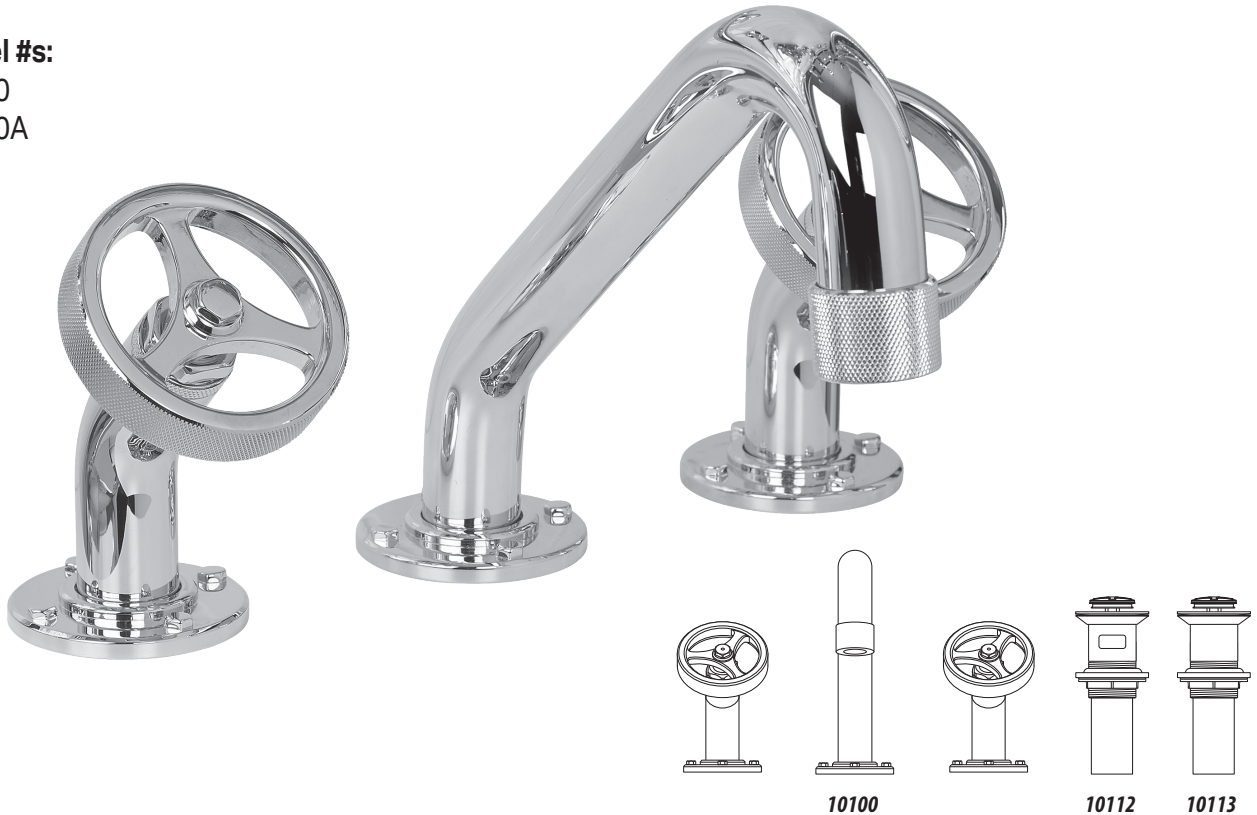


LAVATORY FAUCET AND PUSH DRAIN INSTALLATION INSTRUCTIONS

Model #s:

10100

10100A



BEFORE YOU BEGIN YOUR INSTALLATION:

1



Turn off water supply.

2



Observe all local plumbing codes.

3



Inspect plumbing for signs of damage. Replace as necessary.

4

**DO NOT** use petroleum based products on this faucet.**REQUIRED TOOLS:**

Adjustable Wrench



Phillips Screwdriver



Channel Locks

SPOUT INSTALLATION

1.

Remove retainer screw (A), T-connection (B), clamp nut (C) and washer (D) from threaded spout shroud (E).

2.

Slide spout through middle hole on counter or sink. (No plumbers putty is required. O-ring seals base).

3.

Before securing, turn spout base (F) to display decorative bolt heads in desired position.

4.

Slide washer and thread the clamp nut onto threaded shroud. Tighten nut snug to underside of sink or counter.

5.

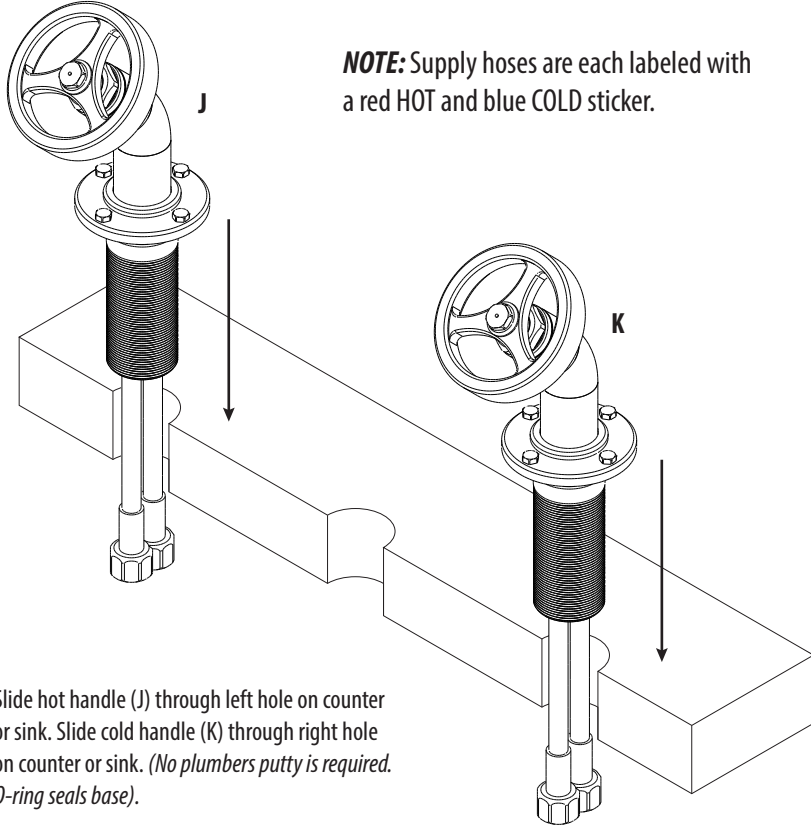
Place T-connection in position on bottom of threaded shroud. Insert the retainer screw through the T-connection and into shroud. Tighten screw until snug.

HANDLE INSTALLATION

1.

Remove retainer screw clamp nut (G) and washer (H) from threaded shroud (I) on both hot and cold handles.

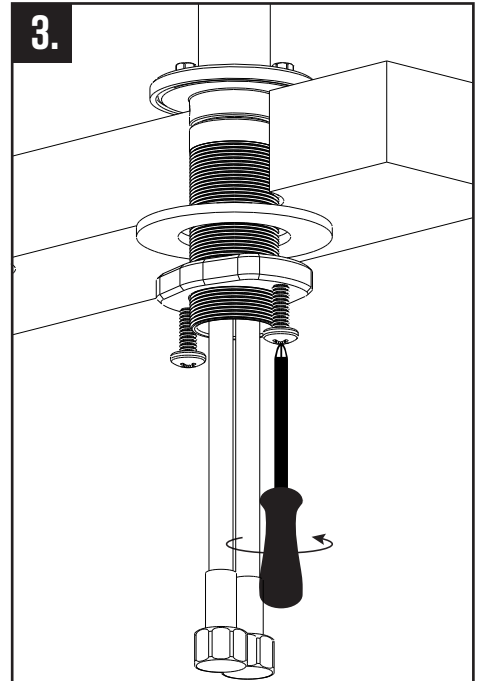
2.



NOTE: Supply hoses are each labeled with a red HOT and blue COLD sticker.

Slide hot handle (J) through left hole on counter or sink. Slide cold handle (K) through right hole on counter or sink. (No plumbers putty is required. O-ring seals base).

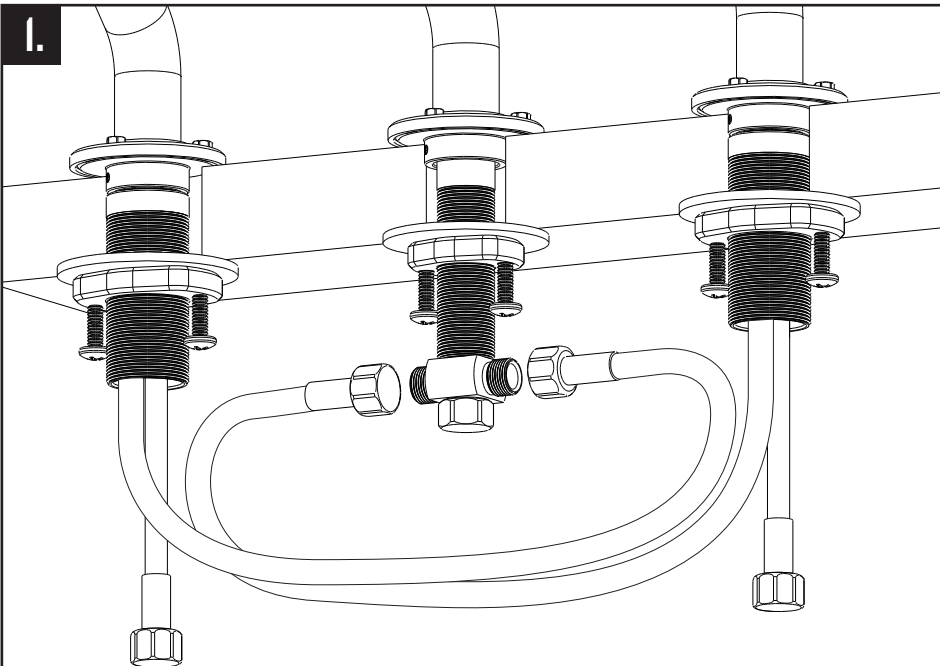
3.



Align both handles into desired position before securing. Slide washers and thread the clamp nuts onto shrouds. Tighten nuts snug to underside of sink or counter.

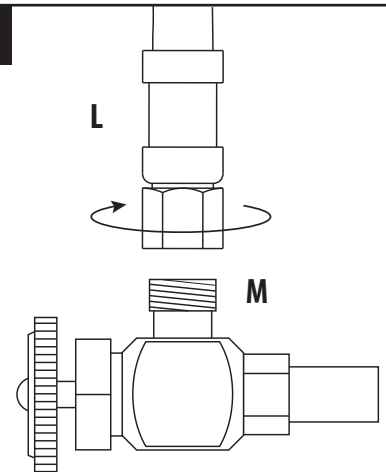
CONNECTING SUPPLY HOSES

1.



Carefully position all supply hoses so they will not interfere with each other. The inlet mix hoses are in front and do not have the hot or cold label. To avoid kinking, attach the inlet hoses to the opposite side of the T-connection. Connect the inlet mix hoses from the handles as shown. Tighten nut by hand plus 1/4 turn with a wrench until snug. **DO NOT** use teflon tape or plumbers putty.

2.



Before connecting supply hoses, flush supply stops to clear any debris. Place a bucket underneath stops and run water for 5 to 10 seconds. Turn water off. Carefully position hot and cold supplies so they will not interfere with other hoses. Connect supply hoses (L) to supply stops (M). Tighten nut by hand plus 1/4 turn with a wrench until snug. **DO NOT** use teflon tape or plumbers putty. Turn water back on and check for leaks.

PUSH DRAIN INSTALLATION

