





With Western the water savings are significant and maintenance is minimal.

**Our customers tell us it's
"The Best Flushing Toilet in America!"**

- New Modern Design.
- Elongated bowl.
- Up to 20% water savings over conventional 1.6 gpf toilets.
- Sani-Glazed™ trapway gives years of sanitary trouble free use.
- Powerful Votex-Jet™ flushing system scrubs the bowl with every flush
- Quick-Install™ tank to bowl fittings speed installation and helps reduce potential leaks.
- Full size water surface and seal for a clean and sanitary bowl.
- Front mount color matched handle.
- Easy-Height™ for comfort with 12" rough-in.
- Available in White and Cashmere.
- Seat not included.
- All Western products are IAPMO tested and meet or exceed  standards.
- Meet ADA  requirement with seat installed.
- Certified by IAPMO to meet or exceed the EPA WaterSense standards.



For more information please contact us toll-free:

877-WPWORKS (979-6757)

US Sales and Service

Phone 562.229.0910 • Fax 562.229.0930

www.westernpottery.com • Email: info@westernpottery.com

14405 Best Avenue • Norwalk, California 90650

B932 / T9

1.28 gpf

PHYSICAL PROPERTIES

Model: B932 / T9

Water Surface: 7-7/8" x 9-7/8"

Trap Way: 2" (50mm)

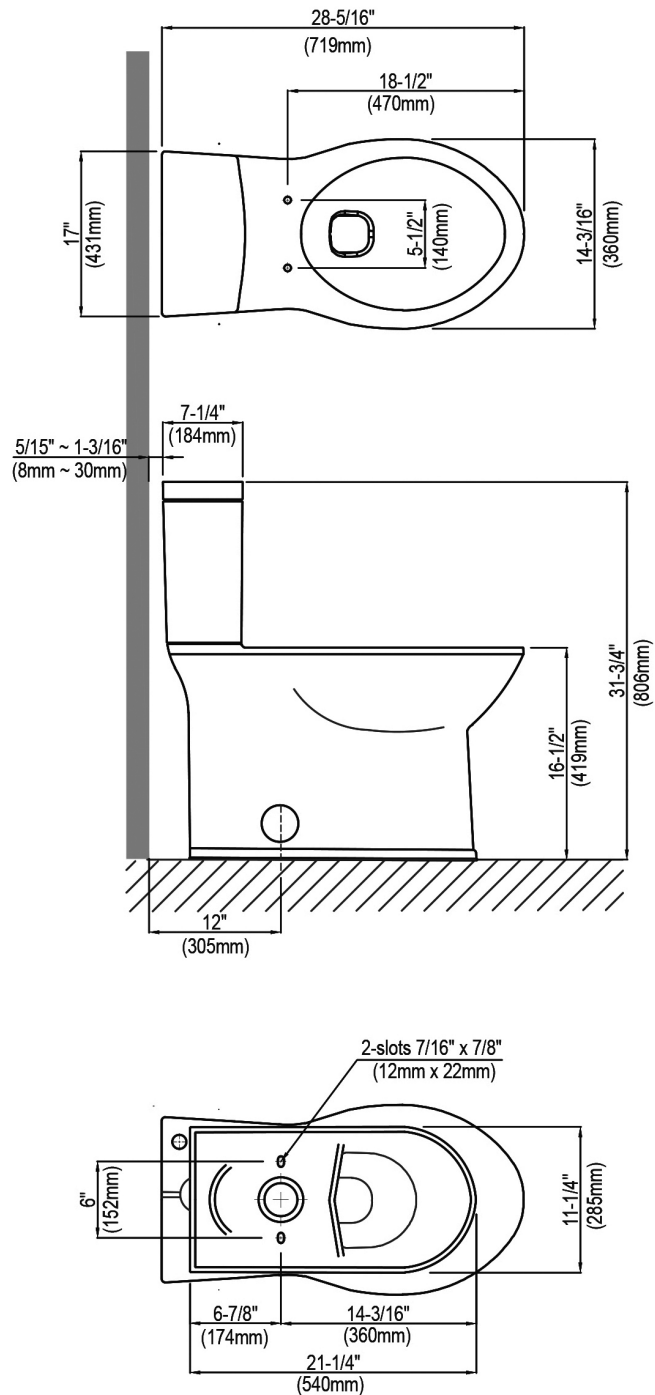
Water Consumption: 1.28 gpf (4.8 Lpf)

Shipping Weight: 63.9 lbs bowl
33 lbs tank

Shipping Cube: 5.21 ft bowl
1.62 ft tank

Rough-in: 12" (305mm)

MaP Rating: 1000 grams



IMPORTANT: Dimensions are nominal and may vary within the range of tolerances established by ASME A112.19.2 / CSA B45.1. These measurements are subject to change without notice.



For more information please contact us toll-free:

877-WPWORKS (979-6757)

www.westernpottery.com • Email: info@westernpottery.com

B932 / T9

1.28 gpf

PHYSICAL PROPERTIES

Model: B932 / T9

Water Surface: 7-7/8" x 9-7/8"

Trap Way: 2" (50mm)

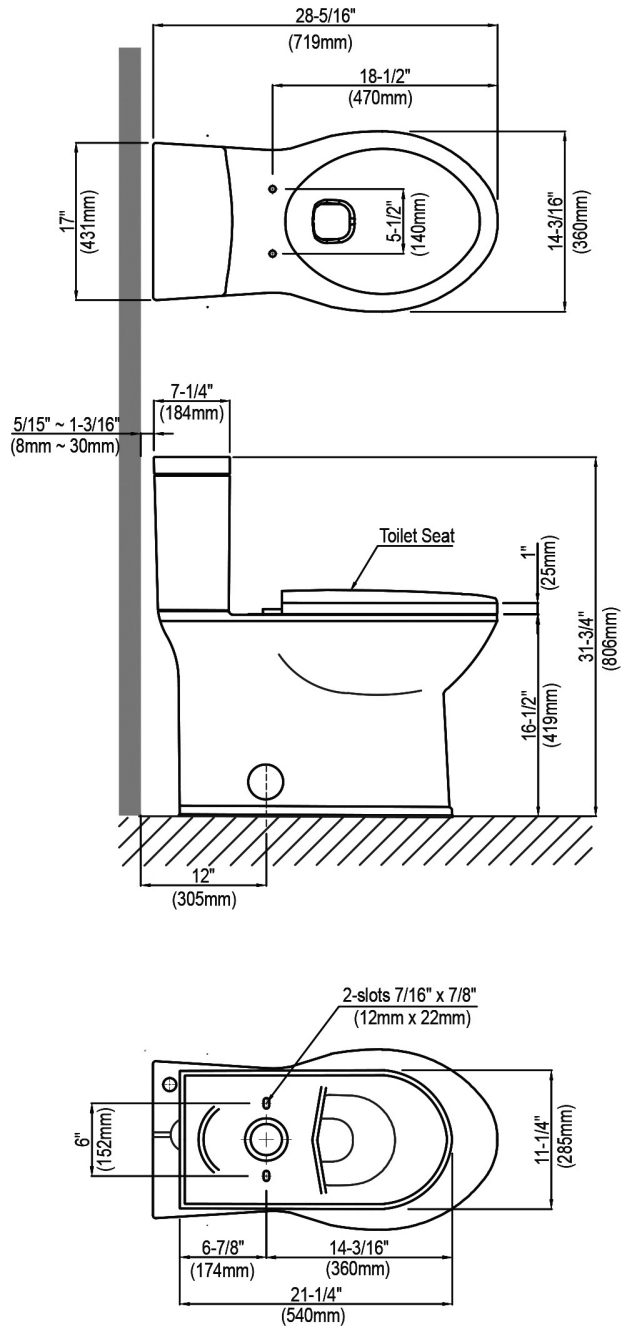
Water Consumption: 1.28 gpf (4.8 Lpf)

Shipping Weight: 63.9 lbs bowl
33 lbs tank

Shipping Cube: 5.21 ft bowl
1.62 ft tank

Rough-in: 12" (305mm)

MaP Rating: 1000 grams



IMPORTANT: Dimensions are nominal and may vary within the range of tolerances established by ASME A112.19.2 / CSA B45.1. These measurements are subject to change without notice.



For more information please contact us toll-free:

877-WPWORKS (979-6757)

www.westernpottery.com • Email: info@westernpottery.com