




With Western the water savings are significant and maintenance is minimal.

**Our customers tell us it's  
"The Best Flushing Toilet in America!"**

- Elongated bowl.
- Up to 20% water savings over conventional 1.6 gpf toilets.
- Sani-Glazed™ trapway gives years of sanitary, trouble free use.
- Powerful Vortex-Jet™ flushing system scrubs the bowl with every flush.
- Full size water surface and seal for a clean and sanitary bowl.
- Quick-Install™ tank to bowl fittings speed installation and helps reduce potential leaks.
- Front mount color matched handle, also available with right-hand handle.
- Available with 10" rough-in.
- Available in Western White and Cashmere.
- Seat not included.
- All Western products are IAPMO tested and meet or exceed  standards.
- Certified by IAPMO to meet or exceed the EPA WaterSense standards.



For more information please contact us toll-free:

**877-WPWORKS (979-6757)**

US Sales and Service

**Phone 562.229.0910 • Fax 562.229.0930**

**www.westernpottery.com • Email: info@westernpottery.com**

14405 Best Avenue • Norwalk, California 90650

# B832 / T8-HP

## 1.28 gpf / 4.8 Lpf

### PHYSICAL PROPERTIES

Model: B832/T8-HP

Water Surface: 6-7/16" x 9-1/16"  
(165mm x 230mm)

Trapway: 2" (50mm)

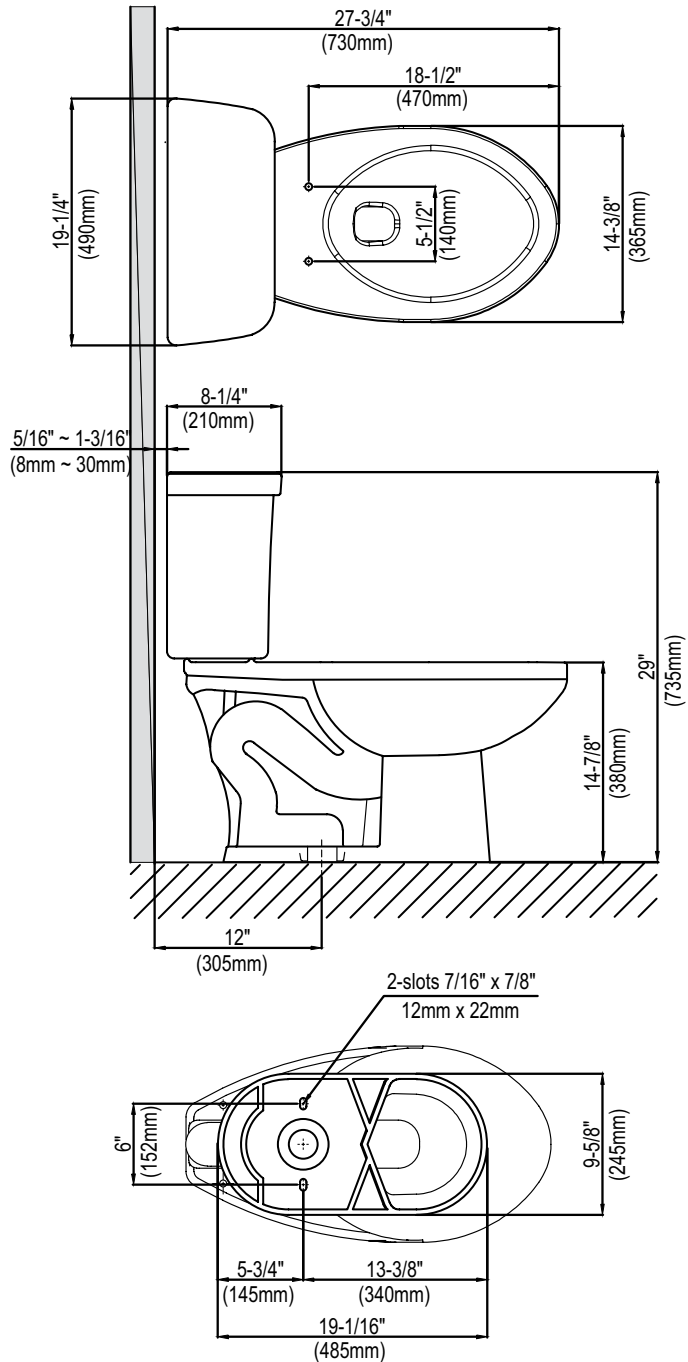
Water Consumption: 1.28 gpf (4.8 Lpf)

Shipping Weight: 51 lbs bowl  
36 lbs tank

Shipping Cube: 4.39 ft bowl  
1.66 ft tank

Rough-in: 12" (305mm)

MaP Rating: 800 grams



**IMPORTANT:** Dimensions are nominal and may vary within the range of tolerances established by ASME A112.19.2 / CSA B45.1. These measurements are subject to change without notice.



For more information please contact us toll-free:

**877-WPWORKS (979-6757)**

[www.westernpottery.com](http://www.westernpottery.com) • Email: [info@westernpottery.com](mailto:info@westernpottery.com)