




- Elongated bowl.
- Dual flush toilet, 1.6 gpf full flush, 1.1 gpf reduced flush.
- Sani-Glazed™ trapway gives years of sanitary, trouble free use.
- Full size water surface and seal for a clean and sanitary bowl.
- Quick-Install™ tank to bowl fittings speed installation and helps reduce potential leaks.
- Front lever handle.
- Available in White.
- Seat not included.
- All Western products are IAPMO tested and meet or exceed  standards.
- Certified by IAPMO to meet or exceed the EPA WaterSense standards.

*With Western the water savings are significant and maintenance is minimal.*

**Our customers tell us it's  
"The Best Flushing Toilet in America!"**



For more information please contact us toll-free:

**877-WPWORKS (979-6757)**

US Sales and Service

**Phone 562.229.0910 • Fax 562.229.0930**

**www.westernpottery.com • Email: [info@westernpottery.com](mailto:info@westernpottery.com)**

14405 Best Avenue • Norwalk, California 90650

# B832 / T8-HET-DF 1.6 gpf / 1.1 gpf

## PHYSICAL PROPERTIES

Model: B832 / T8-HET-DF

Water Surface: 6-7/16" x 9-1/16"  
(165mm x 230mm)

Water Seal: 2" (50mm)

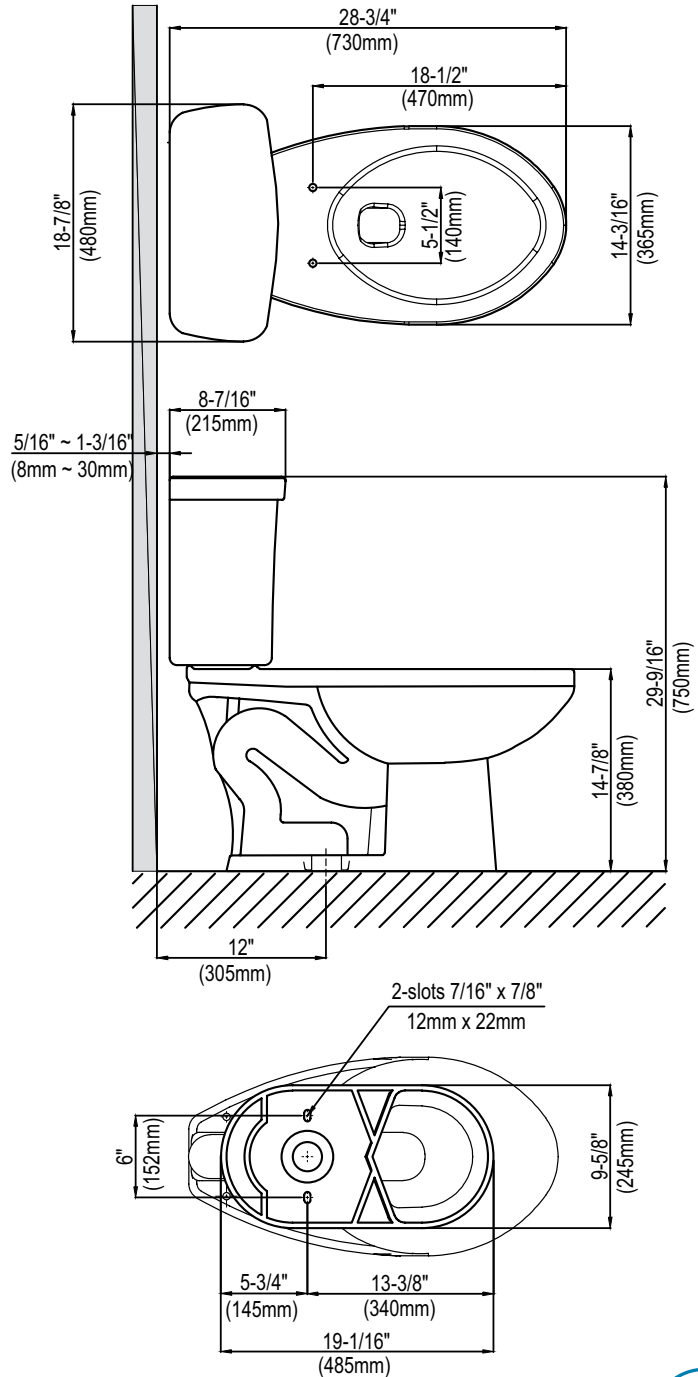
Water Consumption: 1.6 gpf. full flush  
1.1 gpf reduce flush

Shipping Weight: 51 lbs bowl  
33 lbs tank

Shipping Cube: 4.39 ft bowl  
1.62 ft tank

Rough-in: 12" (305mm)

MaP Rating: 800 grams



**IMPORTANT:** Dimensions are nominal and may vary within the range of tolerances established by ASME A112.19.2 / CSA B45.1. These measurements are subject to change without notice.



For more information please contact us toll-free:  
**877-WPWORKS (979-6757)**  
[www.westernpottery.com](http://www.westernpottery.com) • Email: [info@westernpottery.com](mailto:info@westernpottery.com)