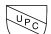




With Western the water savings are significant and maintenance is minimal.

**Our customers tell us it's
"The Best Flushing Toilet in America!"**

- Round front bowl.
- Up to 20% water savings over conventional 1.6 gpf toilets.
- Sani-Glazed trapway gives years of sanitary, trouble free use.
- Powerful Vortex-Jet™ flushing system scrubs the bowl with every flush.
- Full size water surface and seal for a clean and sanitary bowl.
- Quick-Install tank to bowl fittings speed installation and helps reduce potential leaks.
- Front mount color matched handle, also available with right-hand handle.
- Available with 10" rough-in.
- Available in Western White and Cashmere.
- Seat not included.
- All Western products are IAPMO tested and meet or exceed  standards.



For more information please contact us toll-free:

877-WPWORKS (979-6757)

US Sales and Service

Phone 562.229.0910 • Fax 562.229.0930

www.westernpottery.com • Email: info@westernpottery.com

14405 Best Avenue • Norwalk, California 90650

B822 / T8-HP

1.28 gpf / 4.8 Lpf

PHYSICAL PROPERTIES

Model: B822 / T8 - HP

Water Surface: 6-7/8" x 8-1/16"
(172mm x 205mm)

Trapway: 2" (50mm)

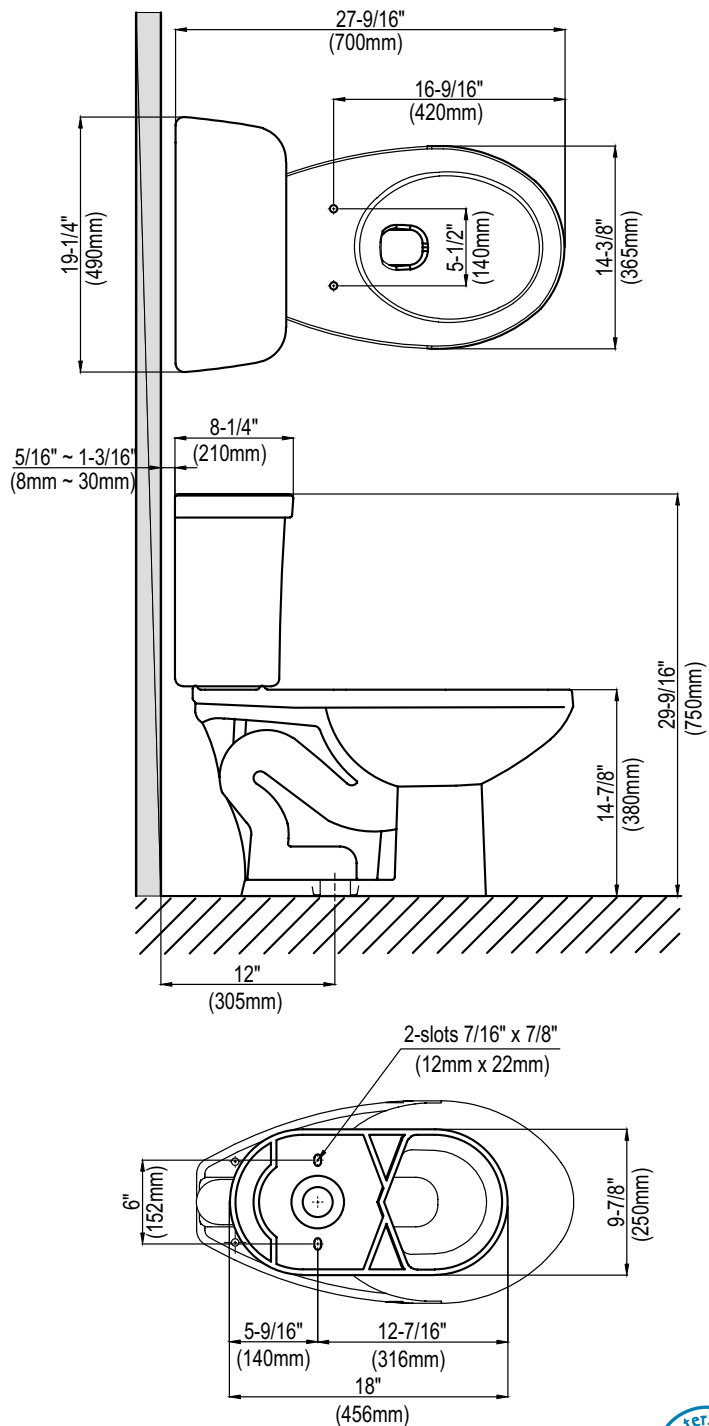
Water Consumption: 1.28 gpf (4.8 Lpf)

Shipping Weight: 50 lbs bowl
36 lbs tank

Shipping Cube: 3.86 ft bowl
1.66 ft tank

Rough-in: 12" (305mm)

Map Rating: 800 grams



IMPORTANT: Dimensions are nominal and may vary within the range of tolerances established by ASME A112.19.2 / CSA B45.1. These measurements are subject to change without notice.



For more information please contact us toll-free:

877-WPWORKS (979-6757)

www.westernpottery.com • Email: info@westernpottery.com