



- Designed with smooth round shape.
- Available in 1" and 4" centers.
- Available in White and Cashmere.
- Mounting wall bracket included.
- All Western products are IAPMO tested and meet or exceed standards.



For more information please contact us toll-free:

**877-WPWORKS (979-6757)**

US Sales and Service

**Phone 562.229.0910 • Fax 562.229.0930**

**[www.westernpottery.com](http://www.westernpottery.com) • Email: [info@westernpottery.com](mailto:info@westernpottery.com)**

14405 Best Avenue • Norwalk, California 90650

# L250 / P200

## PHYSICAL PROPERTIES

Model: L250 / P200

Height: 34" (864mm)

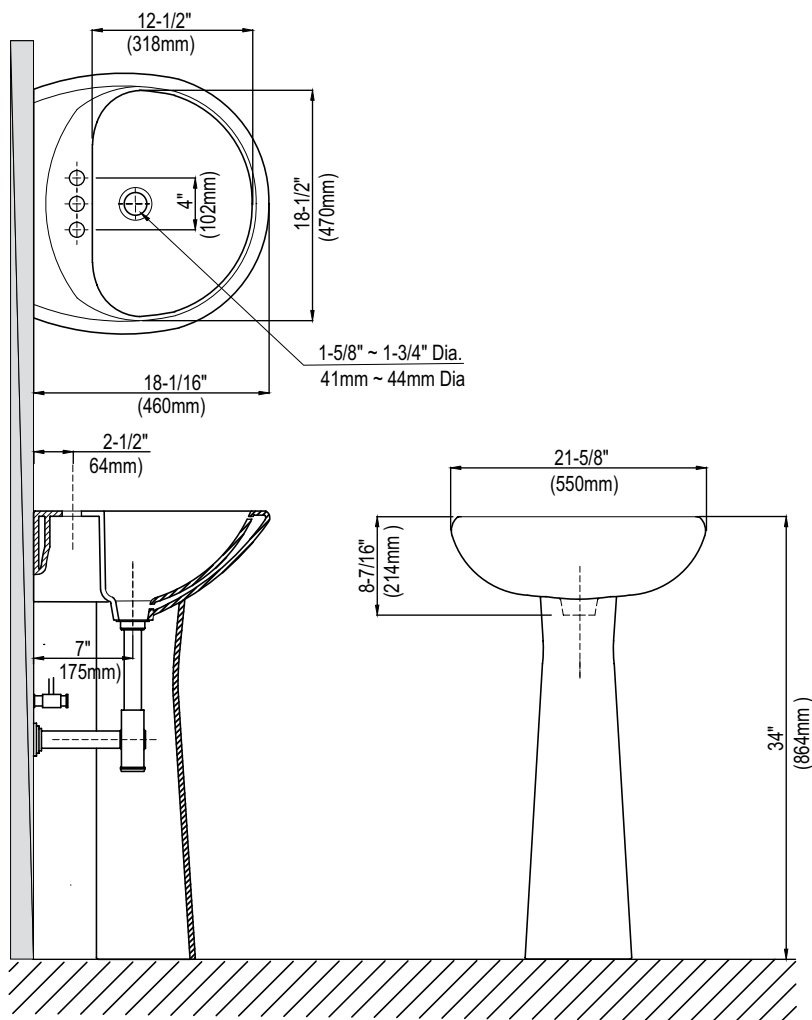
Width: 21-5/8" (550mm)

Depth: 18-1/16" (460mm)

Mounting Hardware: Wall bracket included

Shipping Weight: 31.96 lbs. Lav  
27.55 lbs. Ped

Shipping Cube: 1.99 ft. Lav  
1.23 ft. Ped



IMPORTANT: Dimensions are nominal and may vary within the range of tolerances established by ASME A112.19.2 / CSA B45.1. These measurements are subject to change without notice.



For more information please contact us toll-free:  
**877-WPWORKS (979-6757)**  
[www.westernpottery.com](http://www.westernpottery.com) • Email: [info@westernpottery.com](mailto:info@westernpottery.com)