



- Tuscany™ Pedestal Lavatory.
- Decorative and traditional design.
- Styled to coordinate with the B893.
- Available in 4" and 8" centers and with 1 hole configuration.
- Available in White and Cashmere.
- All Western products are IAPMO tested and meet or exceed standards.



For more information please contact us toll-free:

877-WPWORKS (979-6757)

US Sales and Service

Phone 562.229.0910 • Fax 562.229.0930

www.westernpottery.com • Email: info@westernpottery.com

14405 Best Avenue • Norwalk, California 90650

L233/P233

PHYSICAL PROPERTIES

Model: L233/P233

Height: 33-1/2" (851mm)

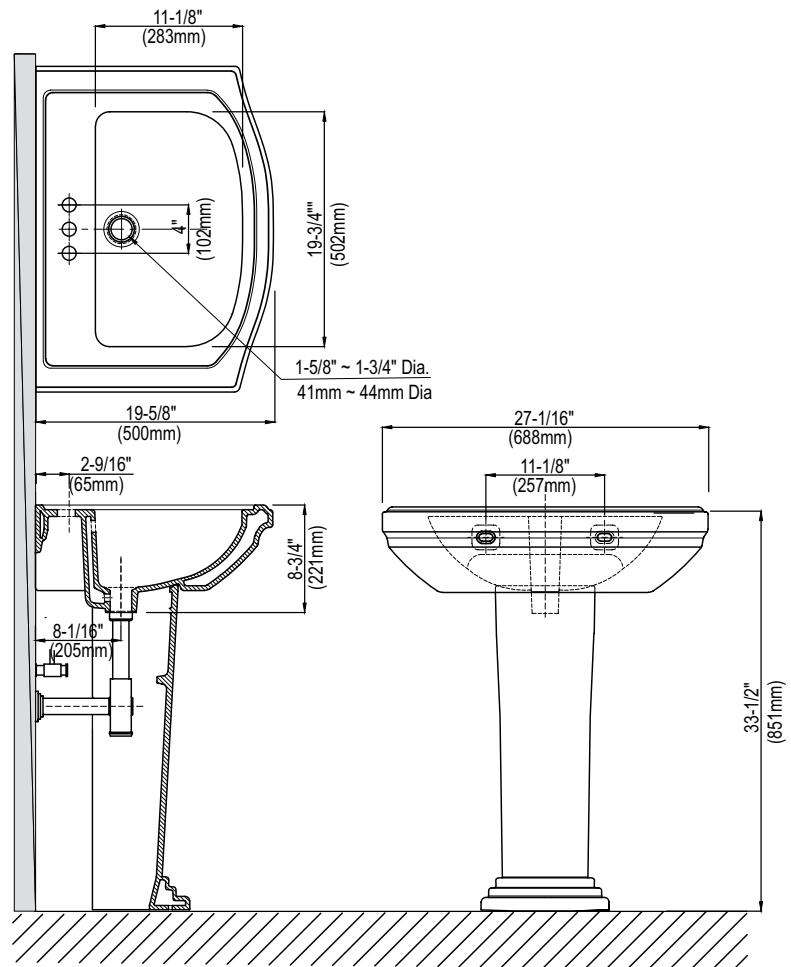
Width: 27-1/16" (688mm)

Depth: 19-5/8" (500mm)

Mounting Hardware: **Wall bracket included**

Shipping Weight: **40 lbs Lav**
29.76 lbs Ped

Shipping Cube: **2.72 ft Lav**
1.76 ft Ped



IMPORTANT: Dimensions are nominal and may vary within the range of tolerances established by ASME A112.19.2 / CSA B45.1. These measurements are subject to change without notice.