



- Tuscany™ Pedestal Lavatory.
- Decorative and traditional design.
- Styled to coordinate with the B893.
- Available in 4" and 8" centers and with 1 hole configuration.
- Available in White and Cashmere.
- All Western products are IAPMO tested and meet or exceed  standards.

For more information please contact us toll-free:

877-WPWORKS (979-6757)

US Sales and Service

Phone 562.229.0910 • Fax 562.229.0930

www.westernpottery.com • Email: info@westernpottery.com

14405 Best Avenue • Norwalk, California 90650

L233

PHYSICAL PROPERTIES

Model: **L233**
Tuscany Pedestal Lavatory

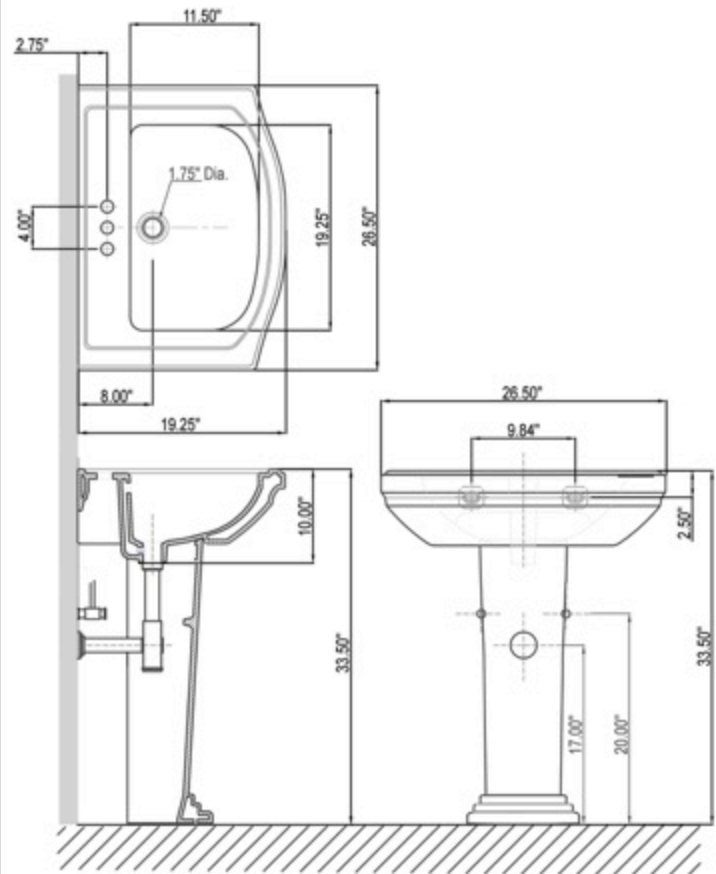
Height: **33.50"**

Width: **26.50"**

Depth: **19.25"**

Shipping Weight: **40 lbs. Lav**
29.76 lbs. Ped

Shipping Cube: **2.72 ft. Lav**
1.76 ft. Ped



IMPORTANT: These dimensions are nominal and vary within the range of tolerances established by ASME standard A112.19.2



For more information please contact us toll-free:

877-WPWORKS (979-6757)

www.westernpottery.com • Email: info@westernpottery.com