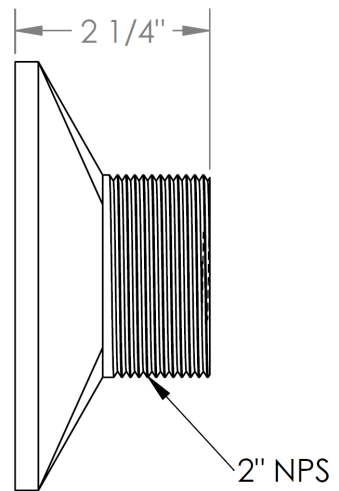
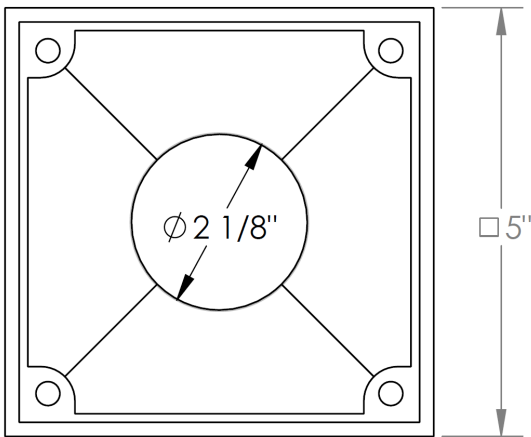


2" Drain

5" x 5" ZURN head w/ 2" drain

Finish: RB



WATERMARK DESIGNS

350 Dewitt Avenue Brooklyn NY 11207 USA T 718 257 2800 F 718 257 2144 info@watermark-designs.com