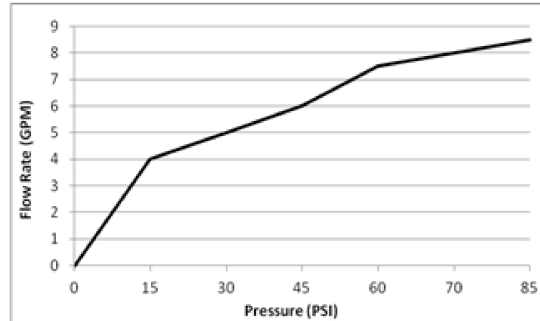
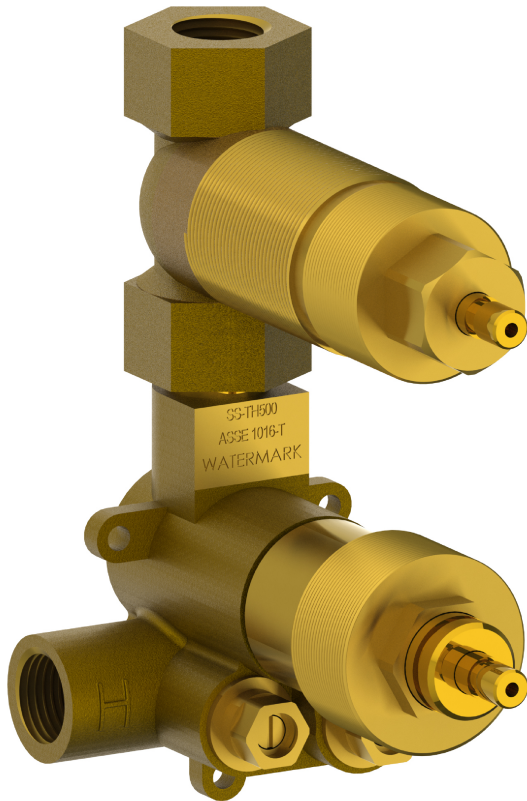
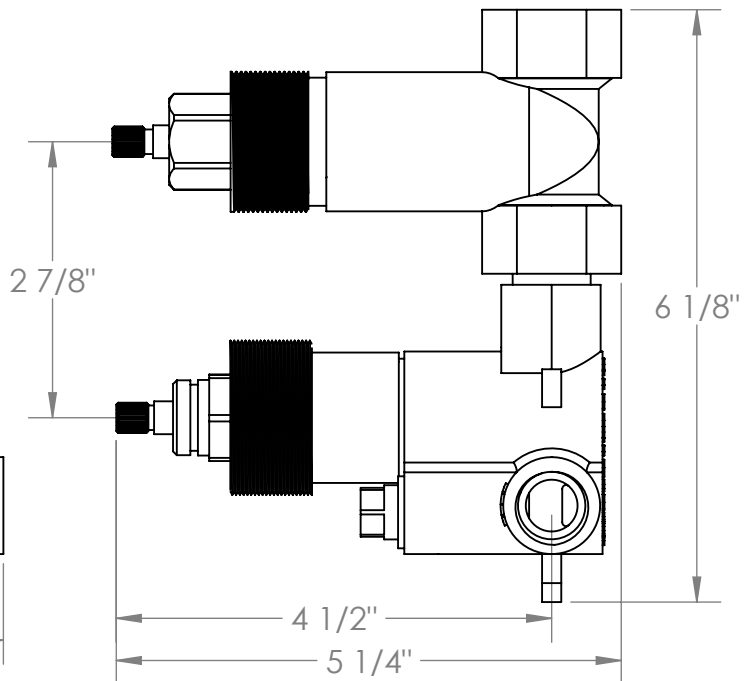
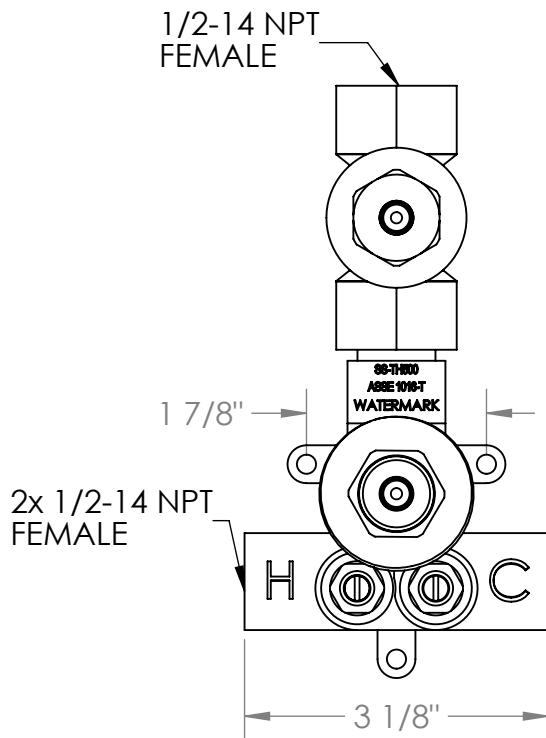


SS-TH60

1/2" Mini Thermostatic Valve with Volume Control



Flow Rate vs. Pressure



Meets the applicable requirements of ASME A112.18.1-2005/CSA B125.1-05, entitled "Plumbing Supply Fittings"