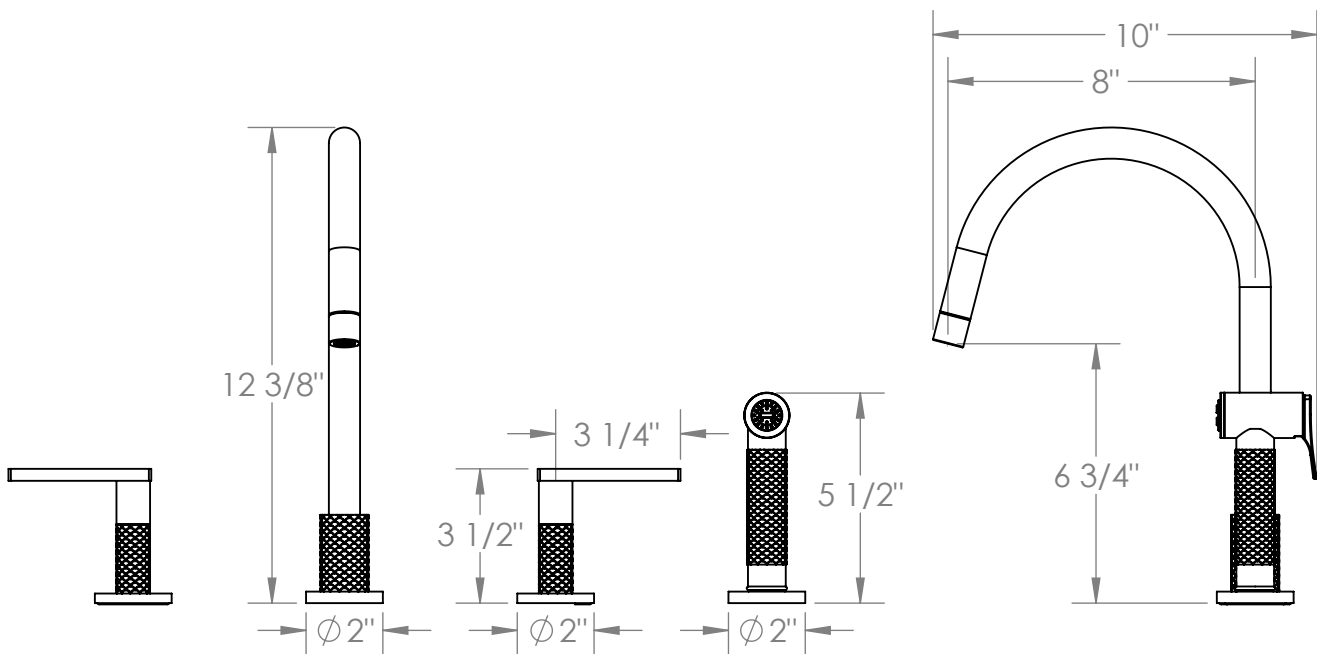


71-7.1G-LLO6

Deck Mounted 4 Hole Kitchen Set
Includes Side Spray and Gooseneck Spout
Faucet Flow Rate: 1.75 GPM



Meets the applicable requirements of ASME A112.18.1-2005/CSA B125.1-05, entitled "Plumbing Supply Fittings"