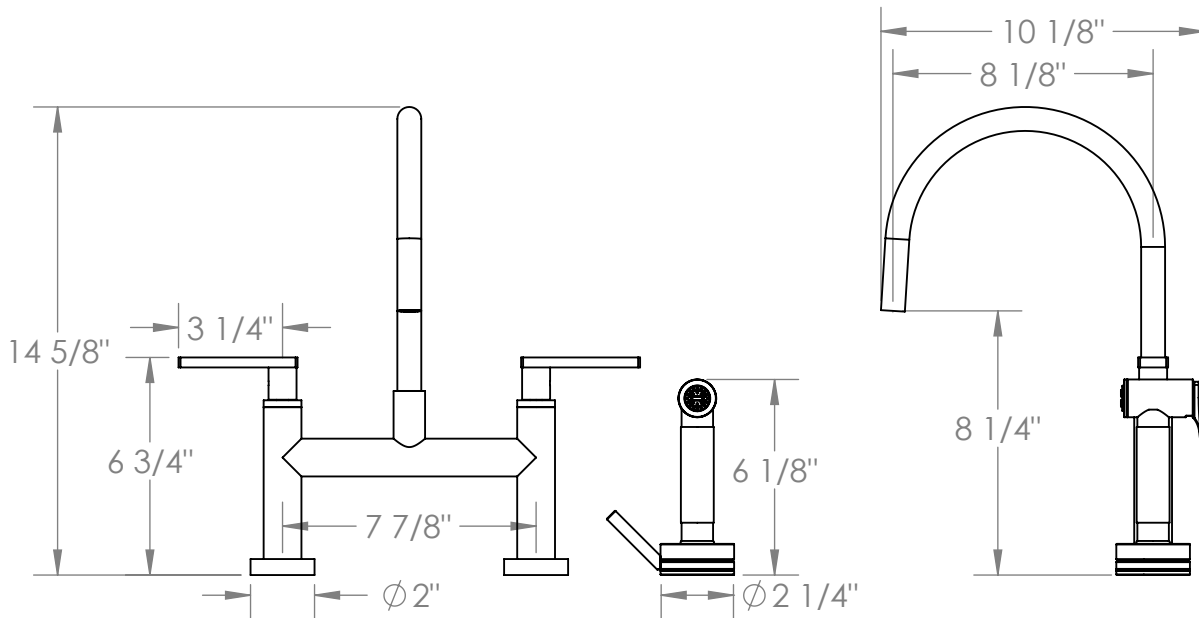


70-7.65G-RNK8

Deck Mounted Bridge Gooseneck Kitchen Faucet
With Independent Side Spary
Faucet Flow Rate: 1.75 GPM



Meets the applicable requirements of ASME A112.18.1-2005/CSA B125.1-05, entitled "Plumbing Supply Fittings"