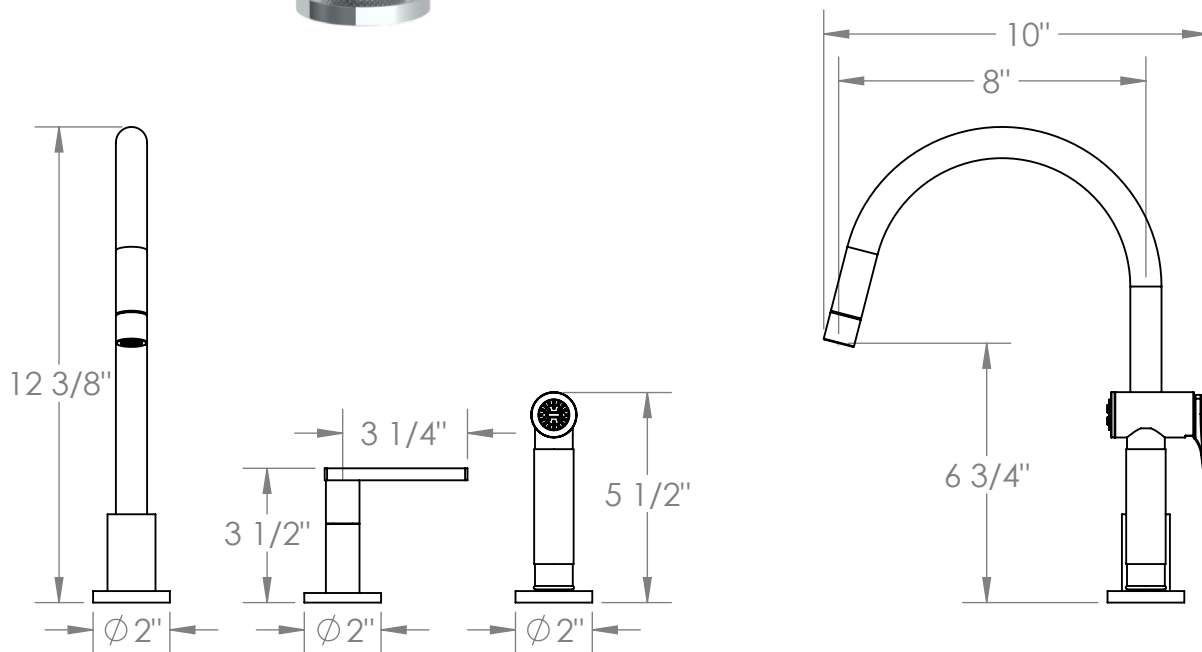


### 70-7.1.3GA-RNK8

Deck Mounted 3 Hole Kitchen Set  
Includes Side Spray and Gooseneck Spout  
Faucet Flow Rate: 1.75 GPM



Meets the applicable requirements of ASME A12.18.1-2005/CSA B125.1-05, entitled "Plumbing Supply Fittings"

# **WATERMARK** DESIGNS 8/28/2019

350 Dewitt Ave Brooklyn NY 11207 USA T 718 257 2800 F 718 257 2144 info@watermark-designs.com