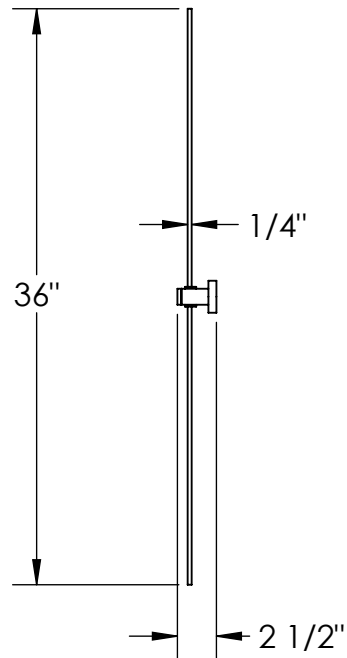
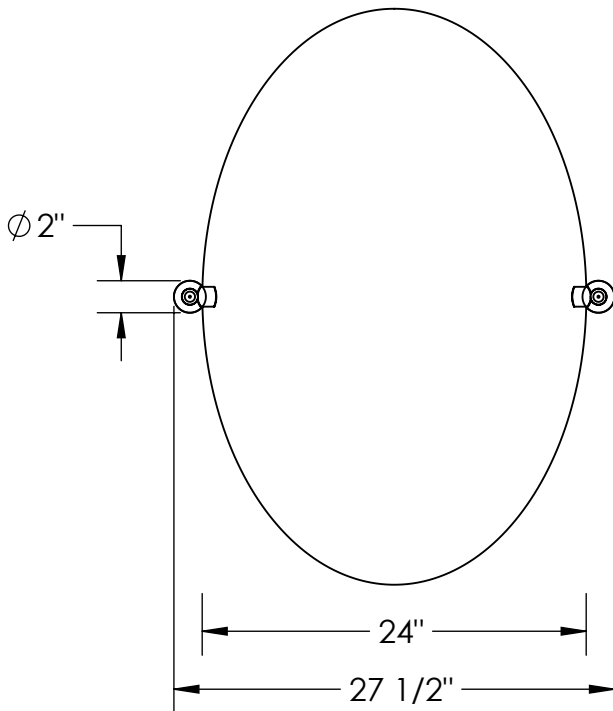


70-0.9B

Wall Mounted Oval Pivot Mirror



Meets the applicable requirements of ASME A112.18.1-2005/CSA B125.1-05, entitled "Plumbing Supply Fittings"