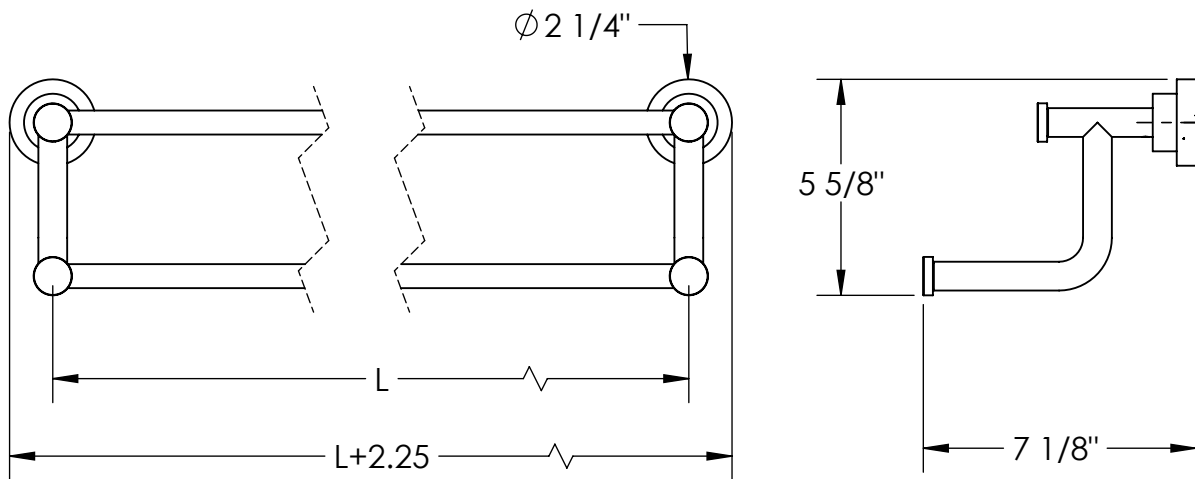
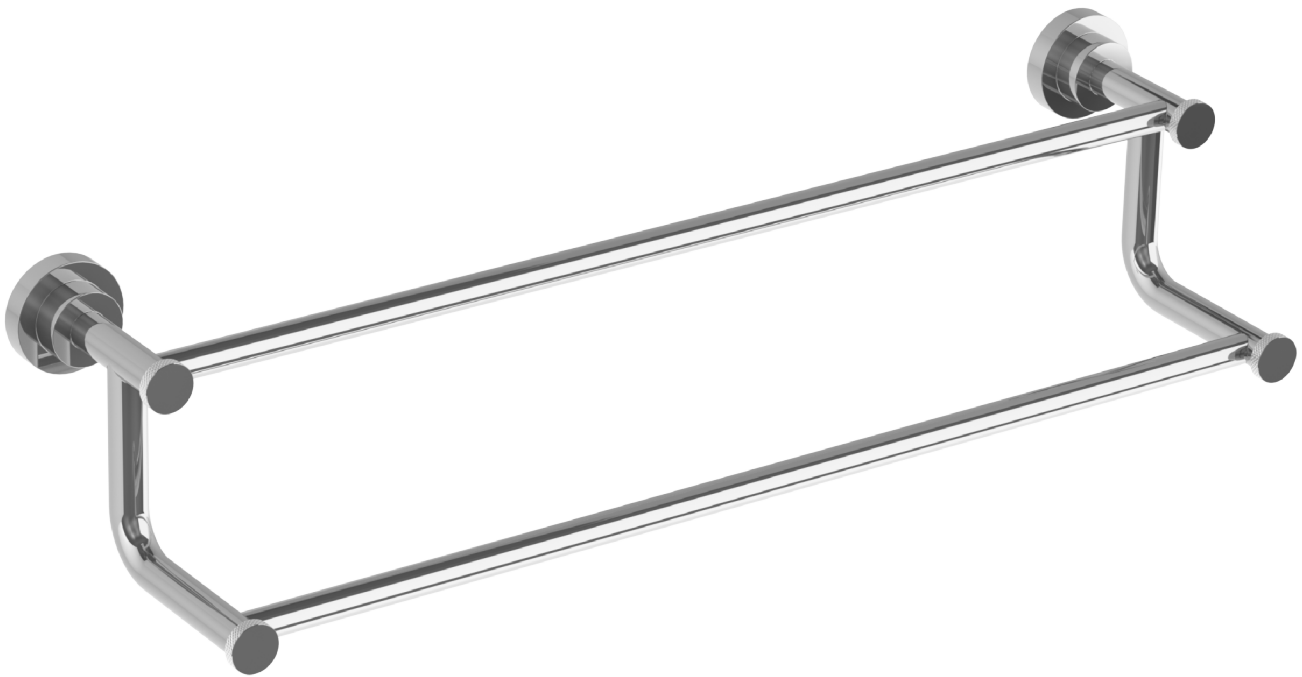


70-0.2_

Wall Mounted Knurled Double Towel Bar



Catalogue Number	Center to Center Distance (L)
70-0.2	18"
70-0.2A	24"
70-0.2B	30"

Meets the applicable requirements of ASME A112.18.1-2005/CSA B125.1-05, entitled "Plumbing Supply Fittings"