

38-6.71FL-_-_-_-EV4

Floor Mounted Exposed Shower with Hand Shower Set

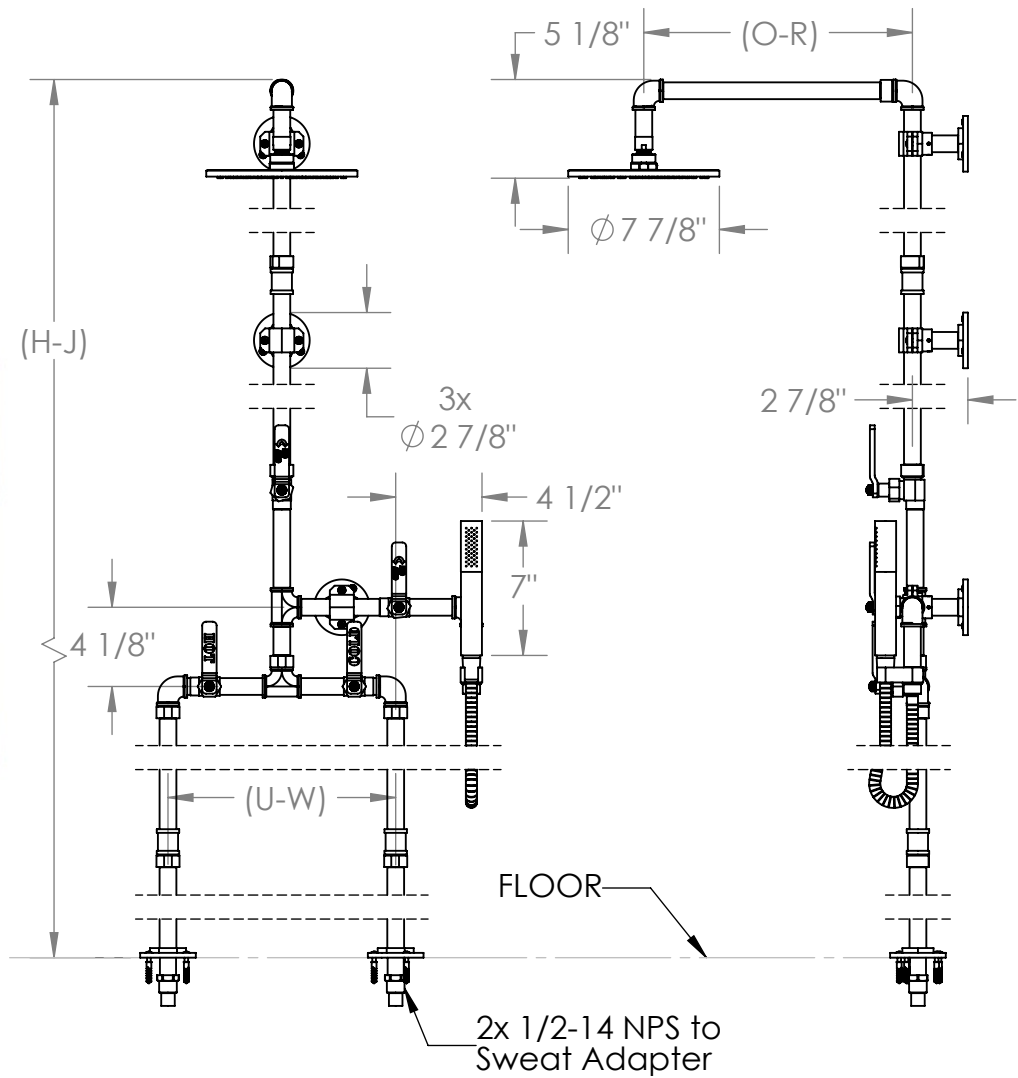
Hand Shower Flow Rate: 1.75 GPM

Note: Some building codes may require remote pressure balance valves for anti-scald

Note: Please specify (H-J, O-R, U-W)



HEIGHT	PROJECTION	MOUNT SPREAD
H = 84"	O = 12"	U = 8"
I = 90"	P = 14"	V = 12"
J = 96"	Q = 16"	W = 18"
-----	R = 18"	-----



Meets the applicable requirements of ASME A112.18.1-2005/CSA B125.1-05, entitled "Plumbing Supply Fittings"