

313-2-AUT-★

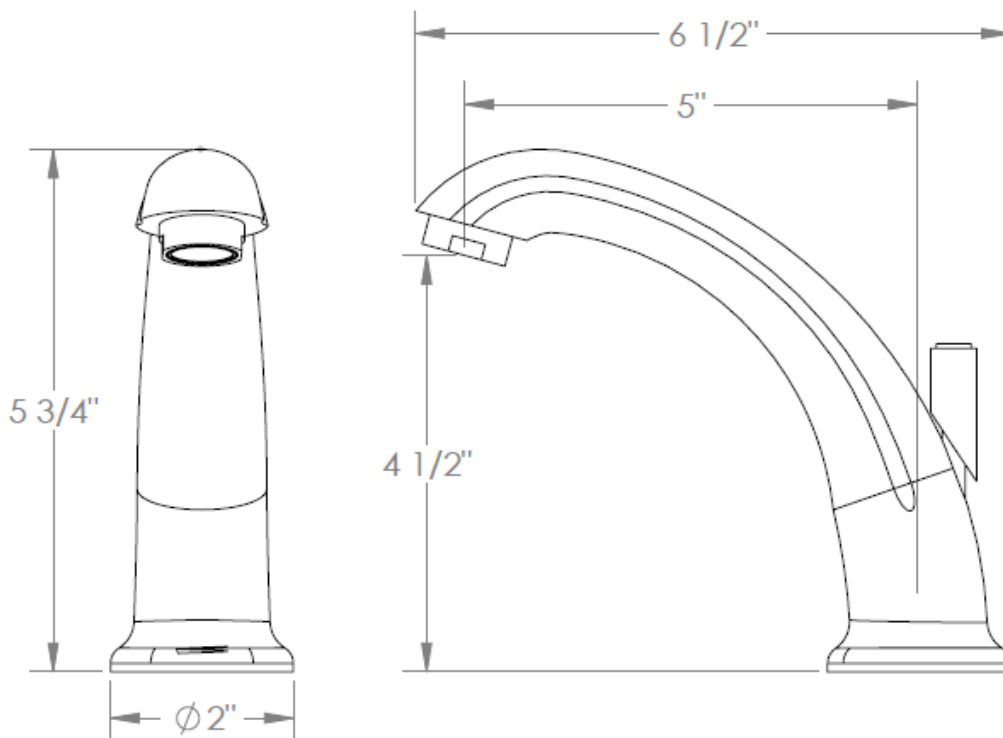
Deck Mounted Automatic Faucet

★ See next page for function options

Not temperature control – water must be premixed

Flow Rate: 1.2 GPM

Note: Sensor box may be installed a maximum of 12" linear from center of inlet.



WATERMARK DESIGNS 4/29/2020

AUT1.3-D-RGH

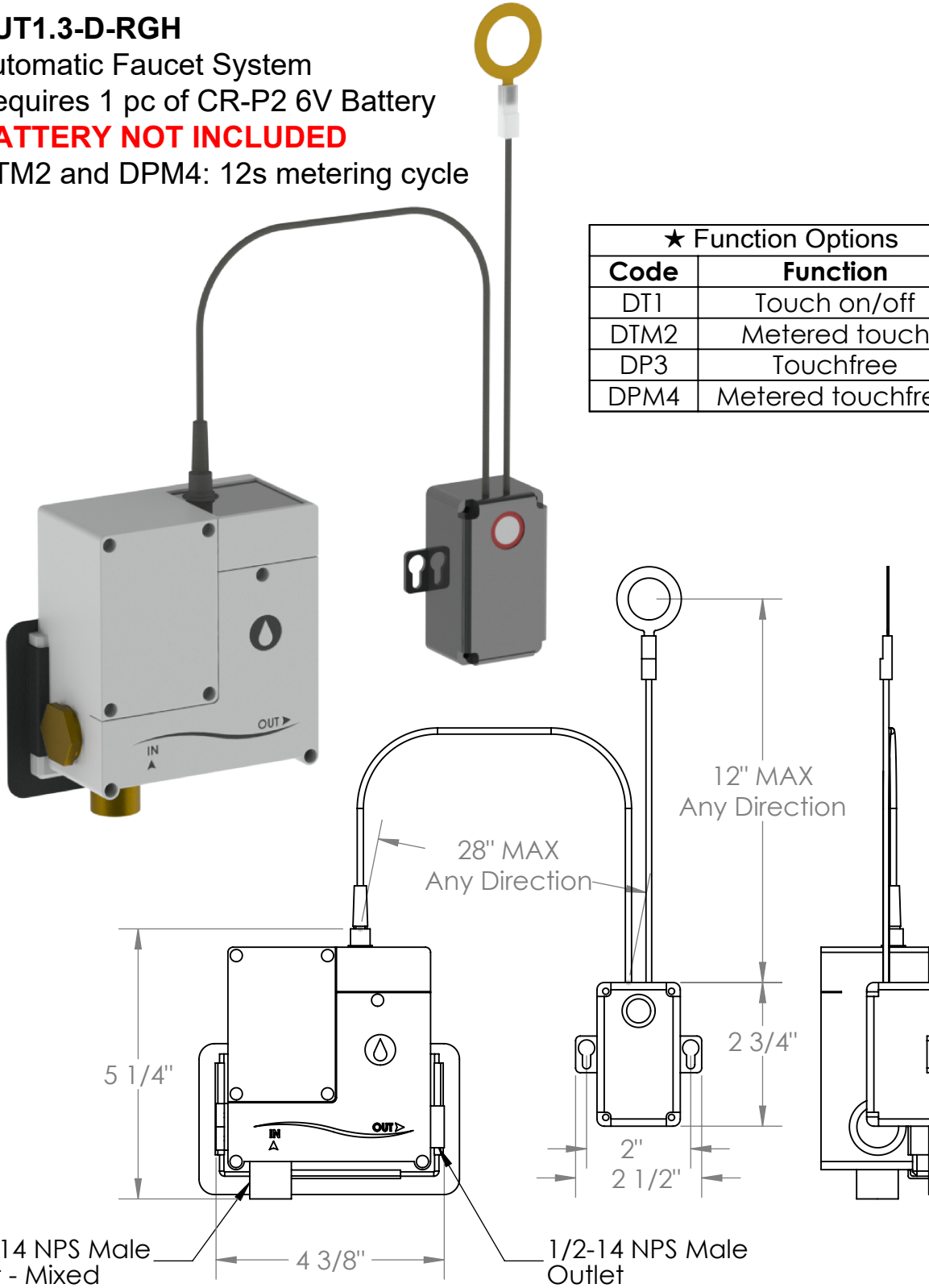
Automatic Faucet System

Requires 1 pc of CR-P2 6V Battery

BATTERY NOT INCLUDED

DTM2 and DPM4: 12s metering cycle

| ★ Function Options | |
|--------------------|-------------------|
| Code | Function |
| DT1 | Touch on/off |
| DTM2 | Metered touch |
| DP3 | Touchfree |
| DPM4 | Metered touchfree |



Meets the applicable requirements of ASME A112.18.1-2005/CSA B125.1-05, entitled "Plumbing Supply Fittings"