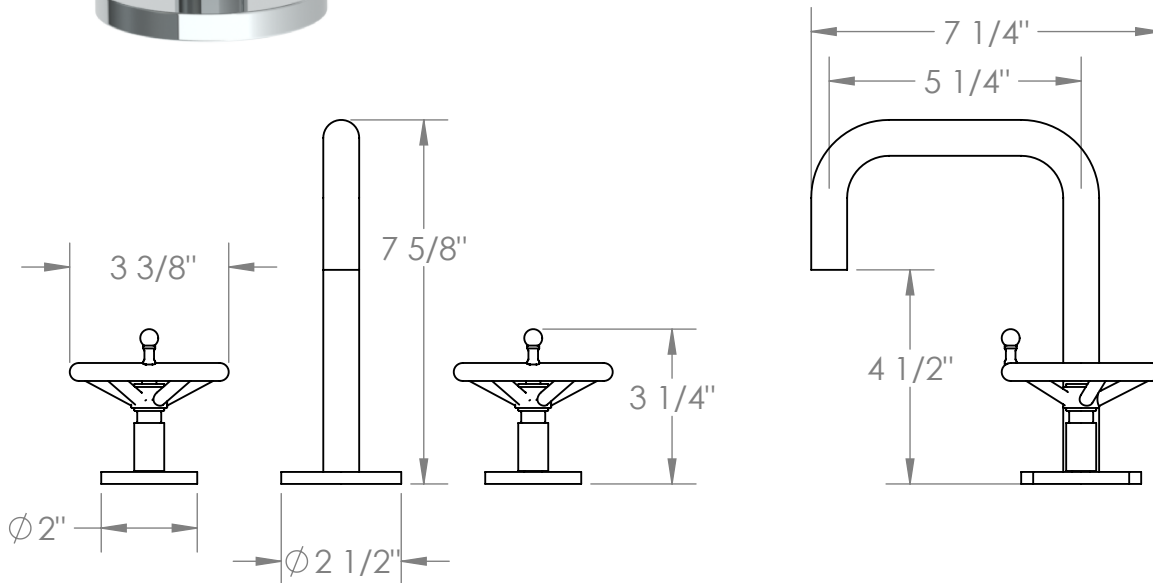


31-2.1-BKA1

Deck Mounted 3 Hole Lavatory Set

Notes: Fixture meets 2010 ADA Compliance Standards



Meets the applicable requirements of ASME A12.18.1-2005/CSA B125.1-05, entitled "Plumbing Supply Fittings"

WATERMARK DESIGNS 3/8/2021

350 Dewitt Ave Brooklyn NY 11207 USA T 718 257 2800 F 718 257 2144 info@watermark-designs.com