

**27-1.2-AUT-★**

Wall Mount Automatic Faucet

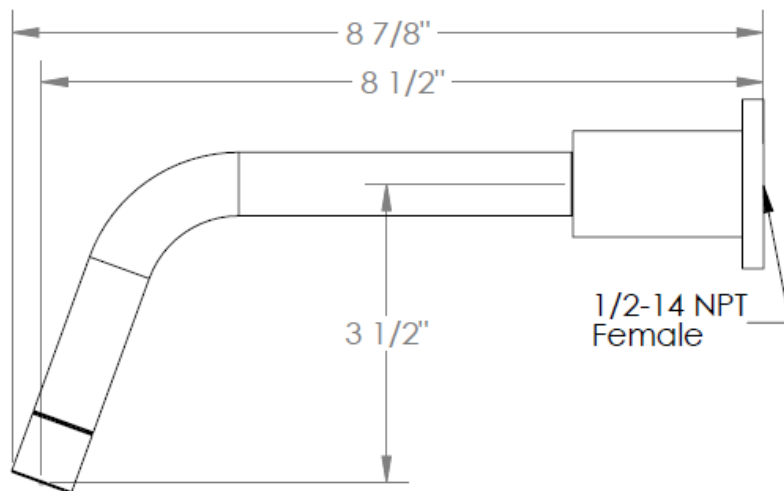
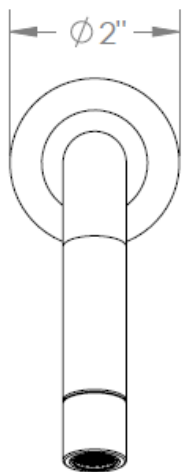
★ See next page for function options

Not temperature control – water must be premixed

Flow Rate: 1.2 GPM

Hole Diameter: 1 3/4"

Note: Sensor box may be installed a maximum of 12" linear from center of inlet.



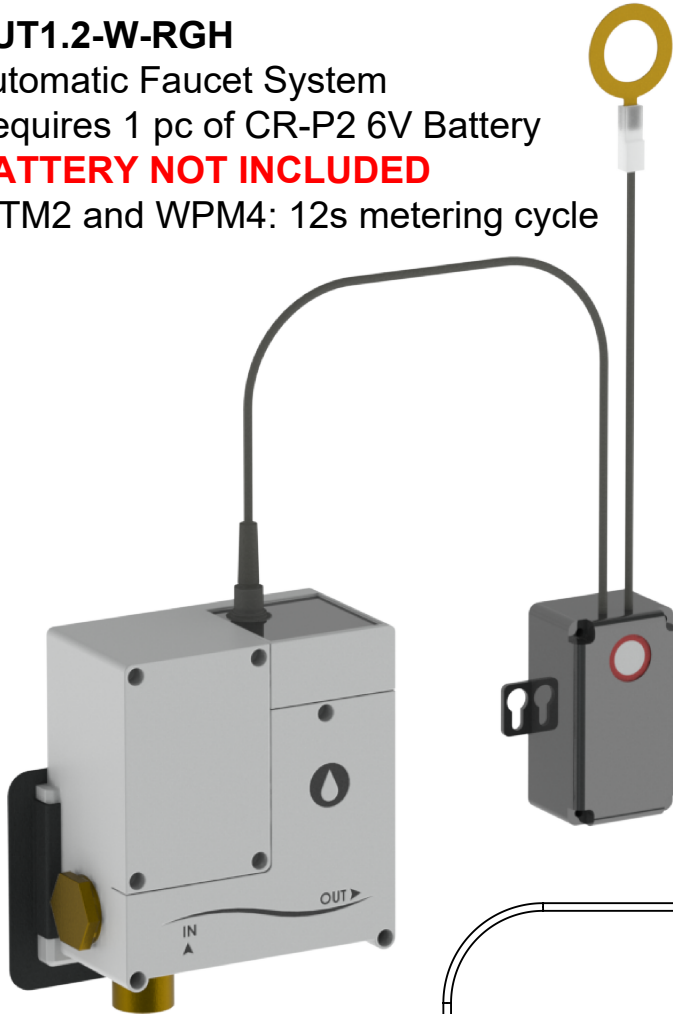
# AUT1.2-W-RGH

Automatic Faucet System

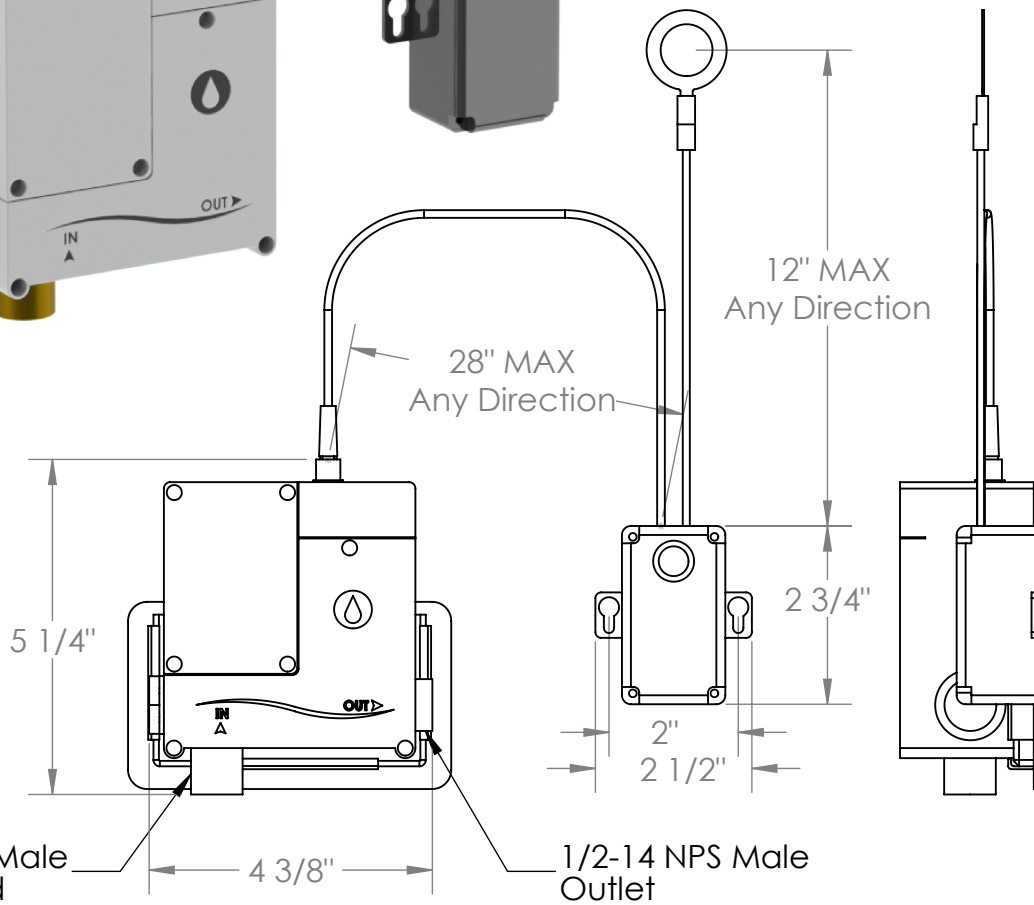
Requires 1 pc of CR-P2 6V Battery

**BATTERY NOT INCLUDED**

WTM2 and WPM4: 12s metering cycle



★ Function Options	
Code	Function
WT1	Touch on/off
WTM2	Metered touch
WP3	Touchfree
WPM4	Metered touchfree



Meets the applicable requirements of ASME A112.18.1-2005/CSA B125.1-05, entitled "Plumbing Supply Fittings"

# WATERMARK DESIGNS 3/3/2021

350 Dewitt Ave Brooklyn NY 11207 USA T 718 257 2800 F 718 257 2144 info@watermark-designs.com