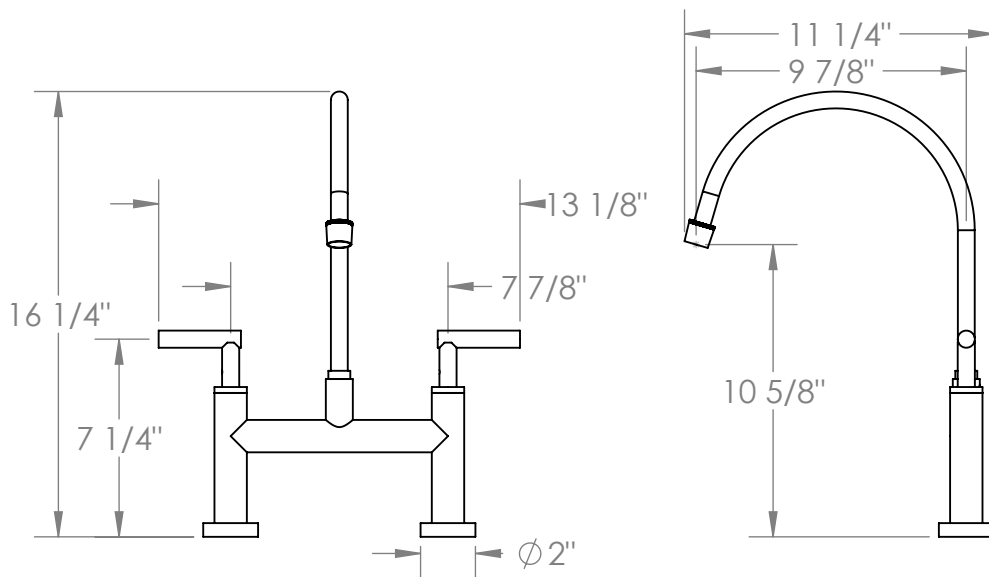


**23-7.5EG-L8**

Deck Mounted Bridge Extended Gooseneck Kitchen Faucet  
Flow Rate: 1.75 GPM



Meets the applicable requirements of ASME A112.18.1-2005/CSA B125.1-05, entitled "Plumbing Supply Fittings"