

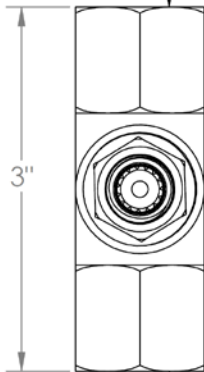
SS-TS200

1/2" Wall (Tile) Stop

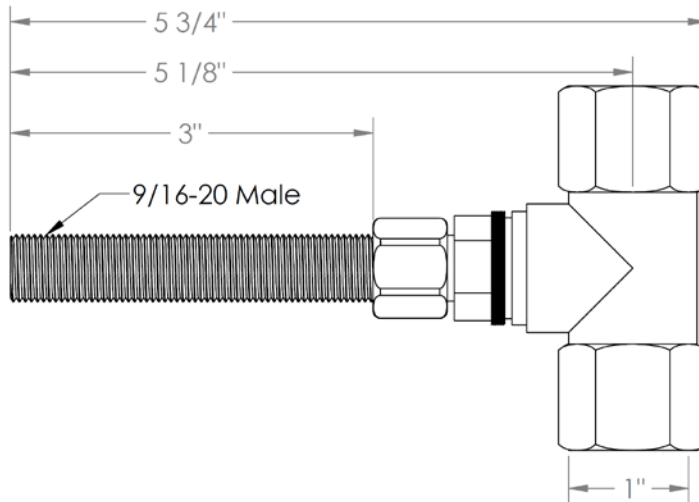
Flow Rate: 8-10 GPM @ 45 PSI



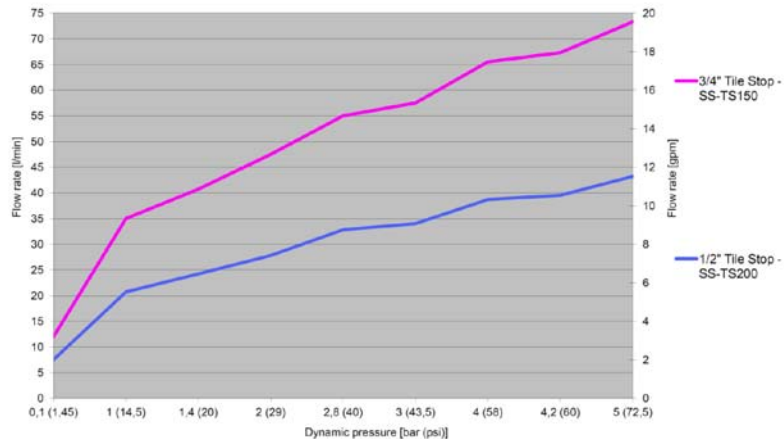
1/2-14 NPT
Female Outlet



1/2-14 NPT
Female Inlet



Flow rate for 1/2" and 3/4" Tile Stop Valves



Meets the applicable requirements of ASME A112.18.1-2005/CSA B125.1-05, entitled "Plumbing Supply Fittings"

WATERMARK DESIGNS 4/27/2018

350 Dewitt Ave Brooklyn NY 11207 USA T 718 257 2800 F 718 257 2144 info@watermark-designs.com