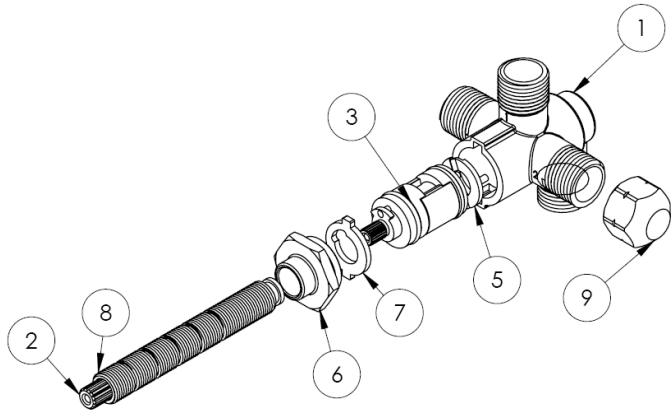
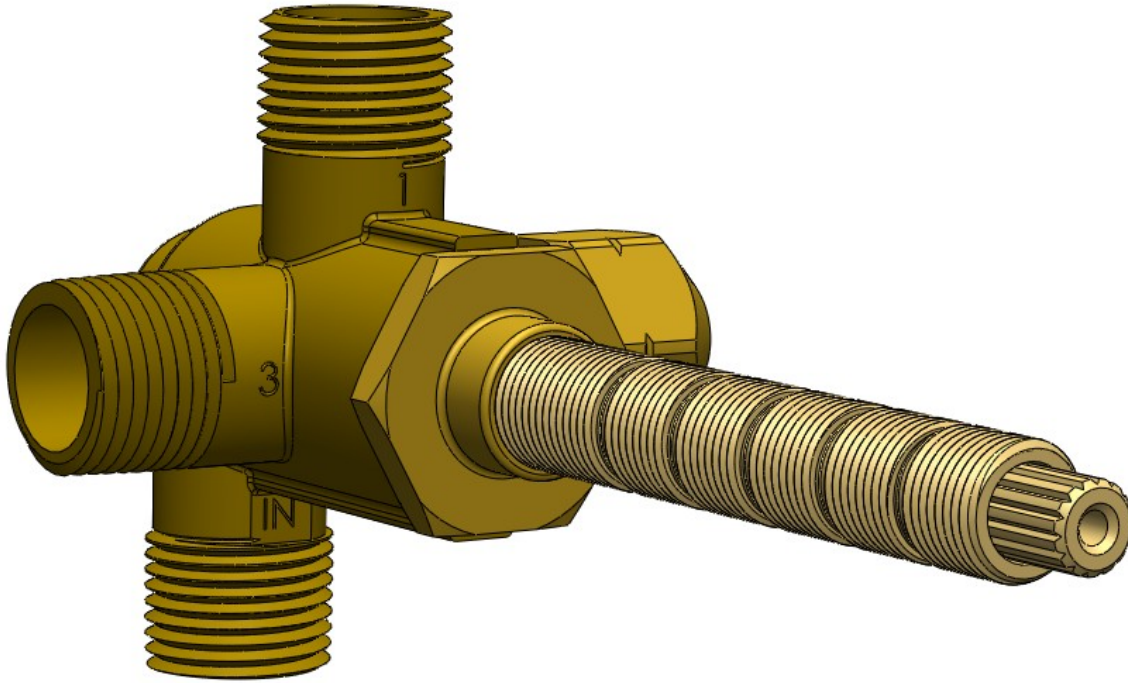


# SS-WD2SH

## 1/2" 2-Way Diverter Valve with Shared Ports

Stem and nipple will require cutting to accommodate trim



ITEM NO.	PART NUMBER	QTY.
1	SS-WD3	1
2	SS-WD2-STM	1
3	CRT-WD2	1
5	SS-WD2-PLSTC-CLICKR	1
6	SS-WD2-NUT	1
7	CRT-WD2-DISK	1
8	SS-WD2-NPPL	1
9	SS-WD2-CAP	1

