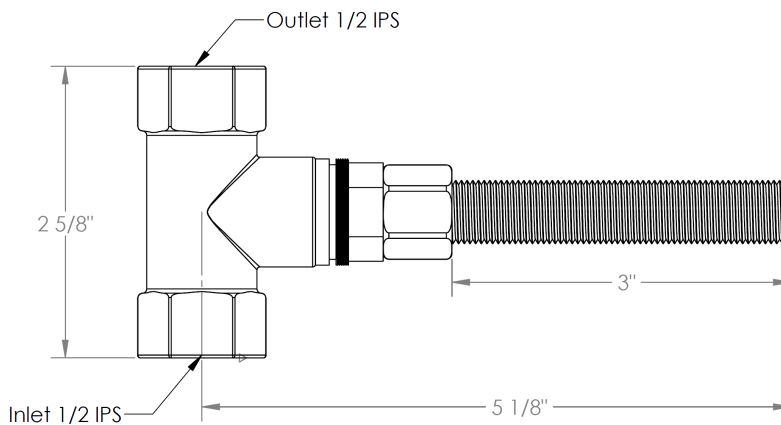
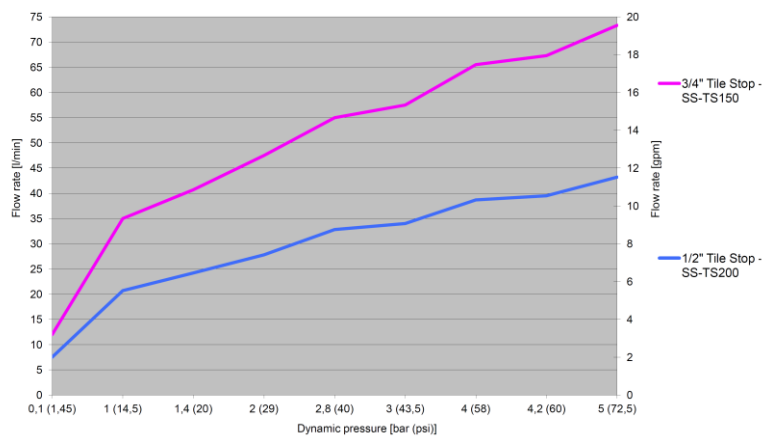


## SS-THV2.2

1/2" VALVES (1 HOT + 1 COLD)  
2 HANDLE Wall Mounted Lavatory Rough  
(TEE to be supplied by the PLUMBER)



Flow rate for 1/2" and 3/4" Tile Stop Valves



Meets the applicable requirements of ASME A112.18.1-2005/CSA B125.1-05, entitled "Plumbing Supply Fittings"

# WATERMARK DESIGNS

491 Wortman Avenue Spring Creek NY 11208 USA T 718 257 2800 F 718 257 2144 info@watermark-designs.com