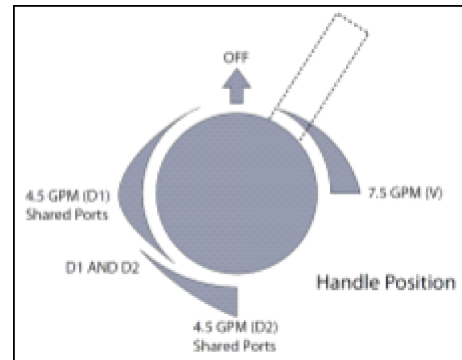
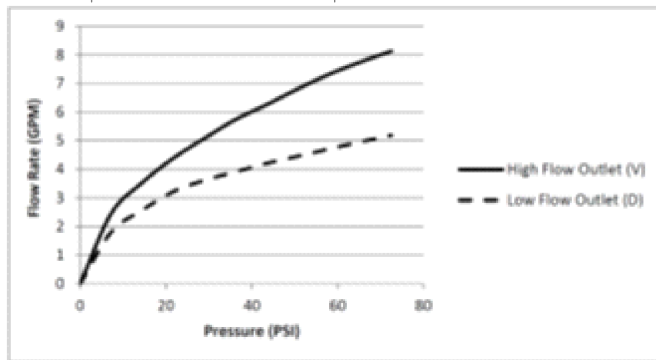
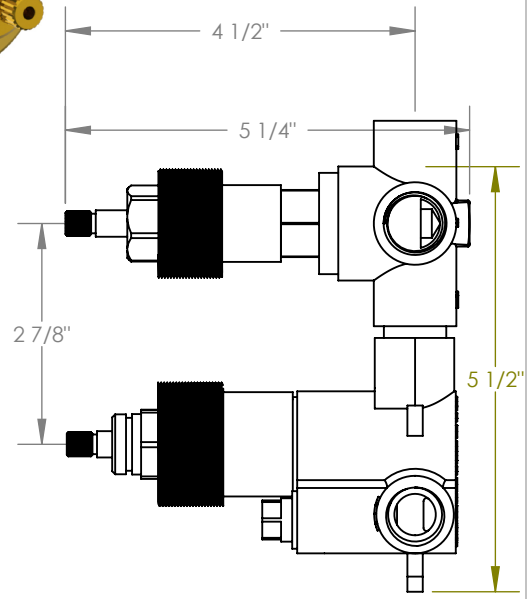
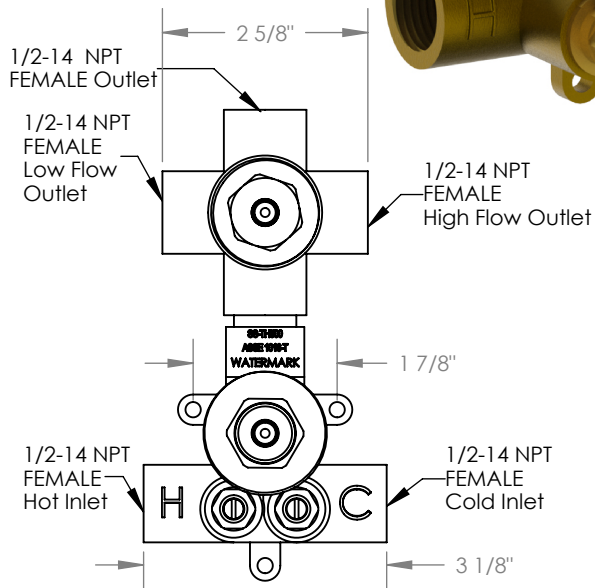
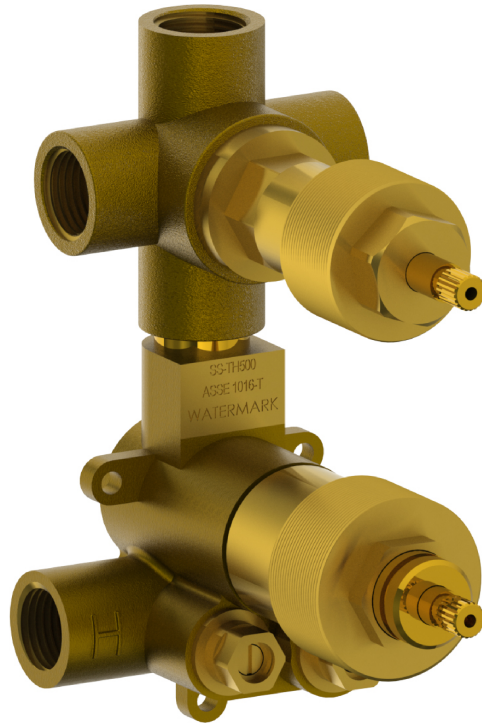


SS-TH80

1/2" Thermostatic Valve with Built-in Volume Control and 3-way Diverter



Meets the applicable requirements of ASME A112.18.1-2005/CSA B125.1-05, entitled "Plumbing Supply Fittings"