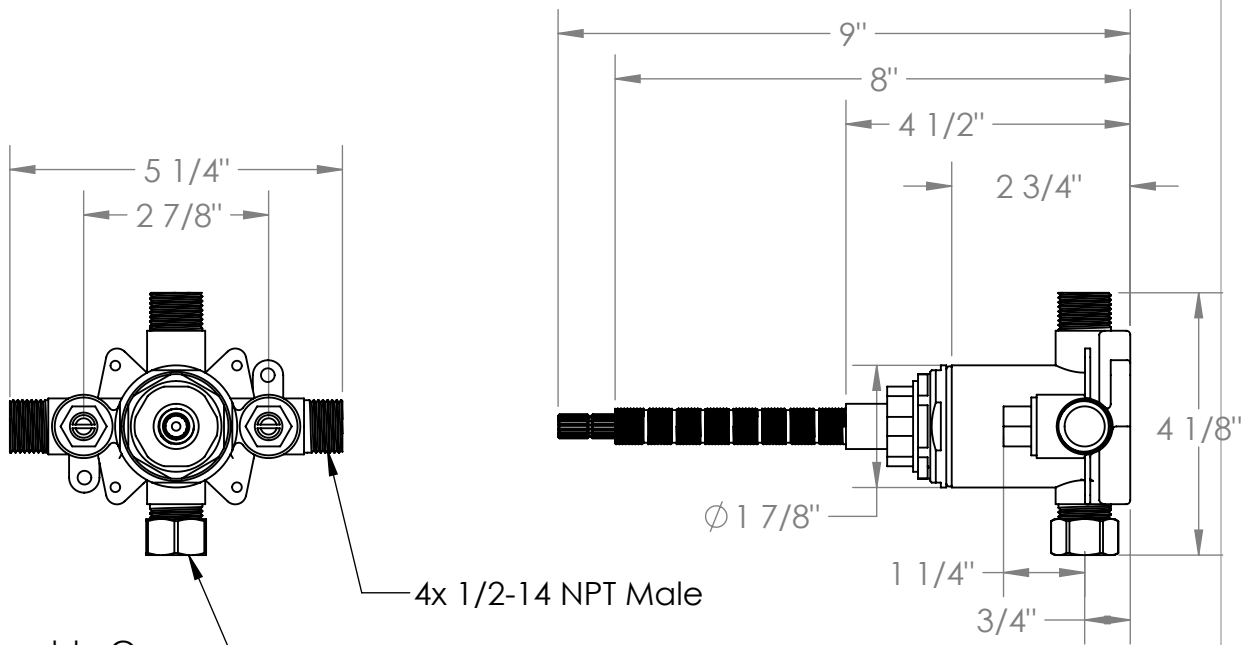
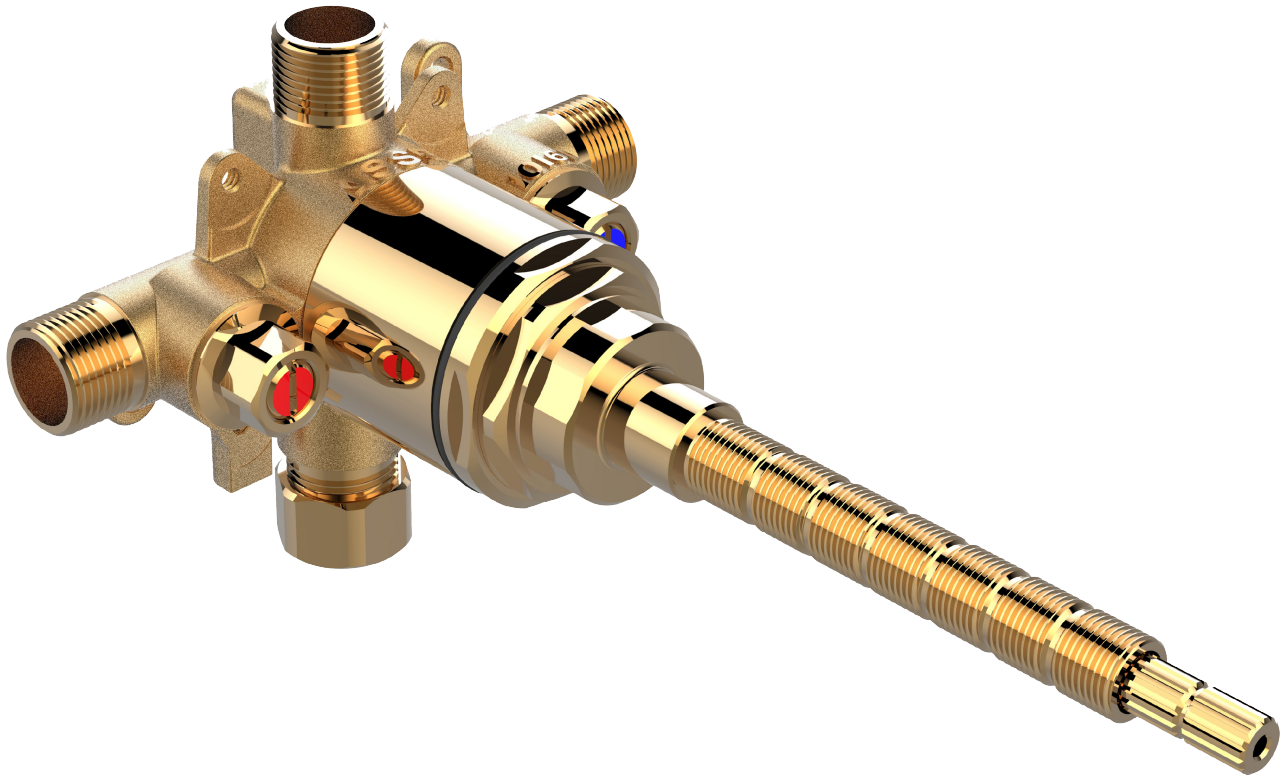


SS-PB75

Pressure Balance Shower Rough with Integral Stops

Note: Does not work with tub spouts with built-in diverters



Removeable Cap

4x 1/2-14 NPT Male

Meets the applicable requirements of ASME A12.18.1-2005/CSA B125.1-05, entitled "Plumbing Supply Fittings"