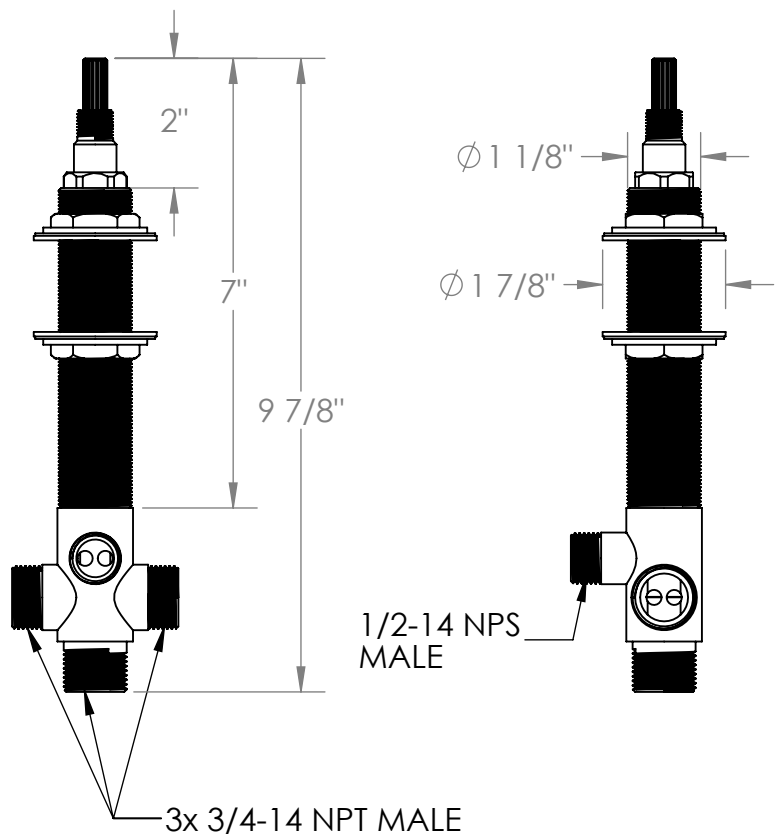
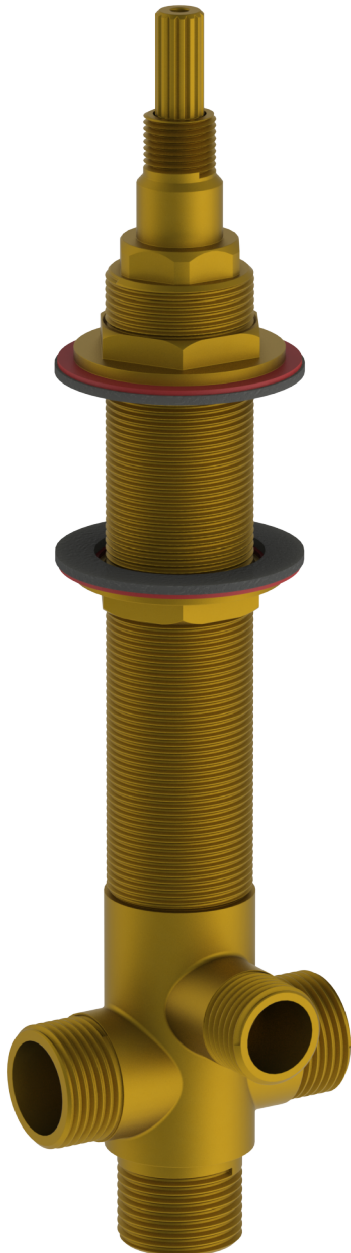


SS-DD4

Deck Mounted 4 Port Diverter - 2 Way

Max Flow Rate from 1/2-14 NPS Outlet: 8 gpm

Max Flow Rate from 3/4-14 NPT Outlet: 8 gpm



Meets the applicable requirements of ASME A112.18.1-2005/CSA B125.1-05, entitled "Plumbing Supply Fittings"

WATERMARK DESIGNS 8/10/2022

350 Dewitt Ave Brooklyn NY 11207 USA T 718 257 2800 F 718 257 2144 info@watermark-designs.com