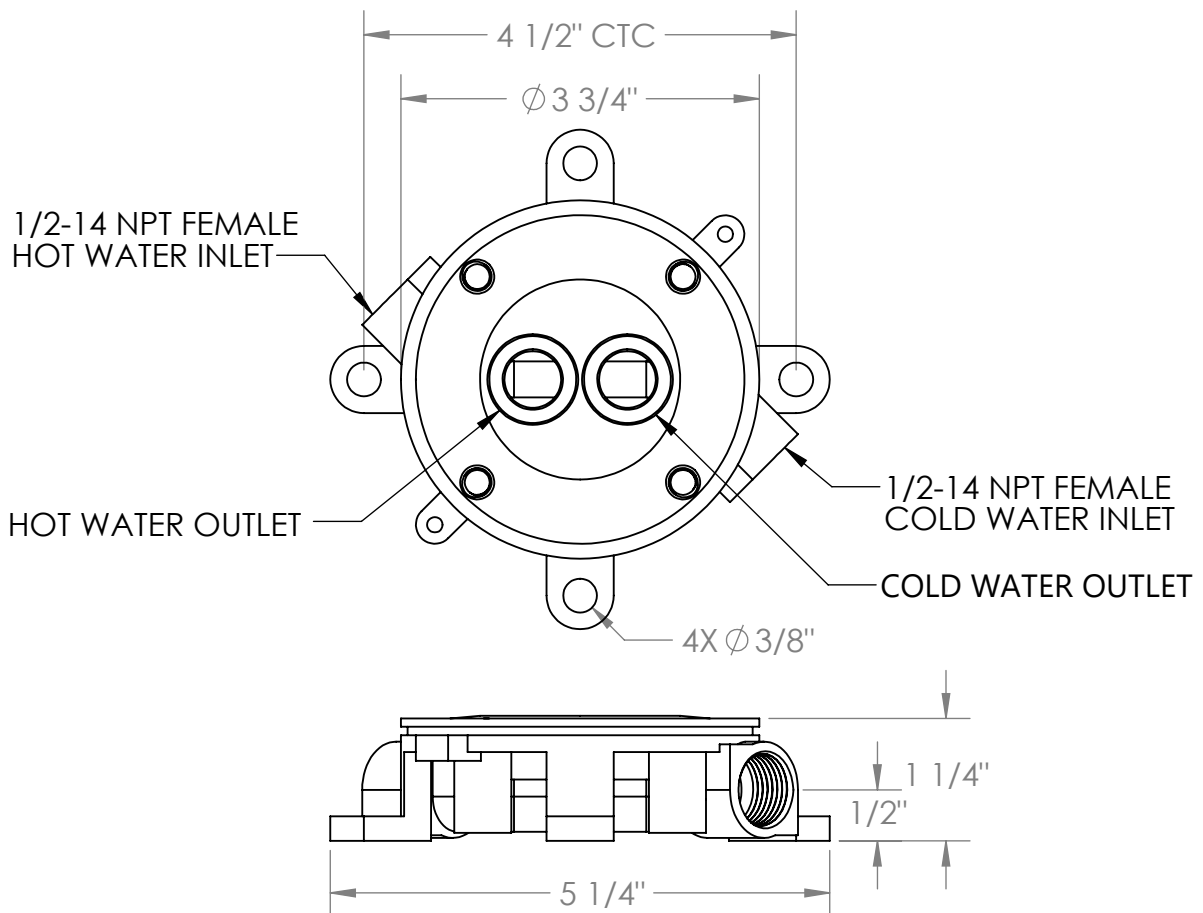
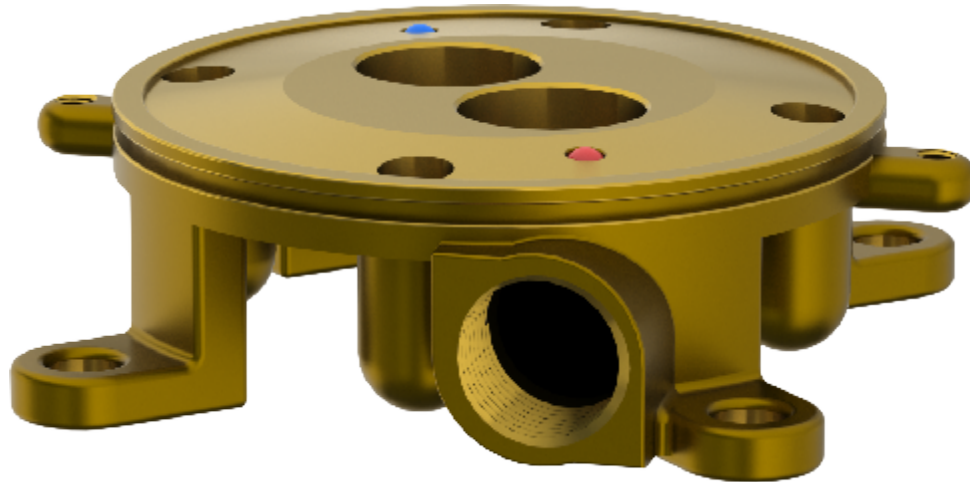


SS-248.8FLR-RGH

Floor Mount For Single Hole Tub Fillers

Includes a Plastic Mudguard, a Pressure Plate, and 4pcs Concrete Bolts



Meets the applicable requirements of ASME A112.18.1-2005/CSA B125.1-05, entitled "Plumbing Supply Fittings"

WATERMARK DESIGNS 9/19/2021

350 Dewitt Ave Brooklyn NY 11207 USA T 718 257 2800 F 718 257 2144 info@watermark-designs.com