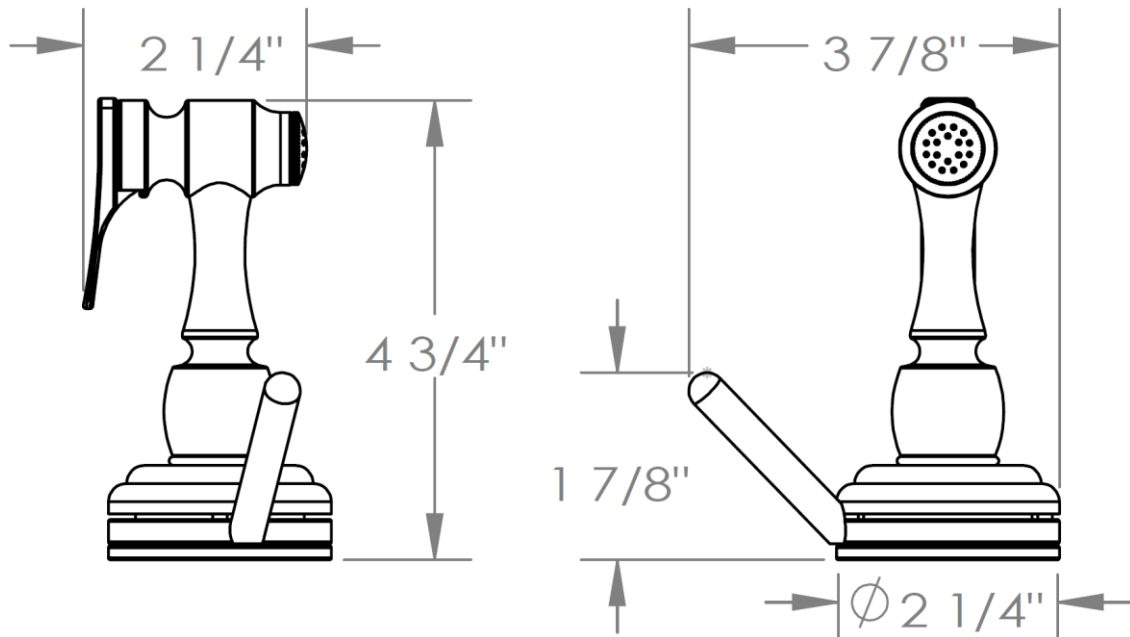


**MSA4.1**

Traditional Kitchen Pull Out Spray with Built-in Valve Controls Volume and Temperature, Straight Elbow



Meets the applicable requirements of ASME A112.18.1-2005/CSA B125.1-05, entitled "Plumbing Supply Fittings"

**WATERMARK DESIGNS 2/9/2015**

350 Dewitt Ave Brooklyn NY 11207 USA T 718 257 2800 F 718 257 2144 info@watermark-designs.com