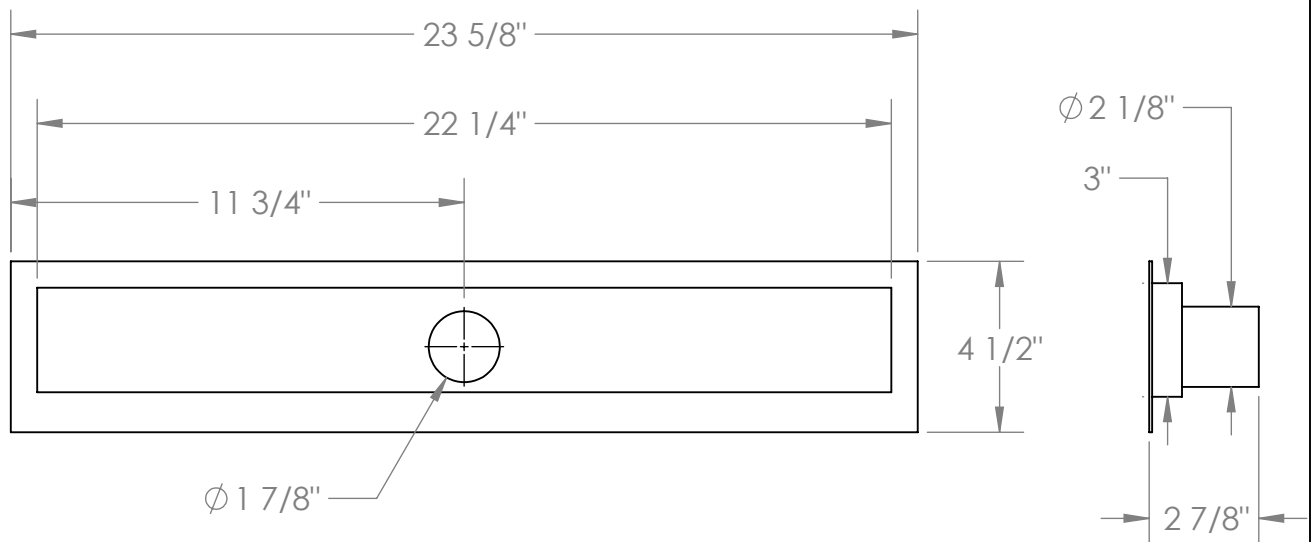
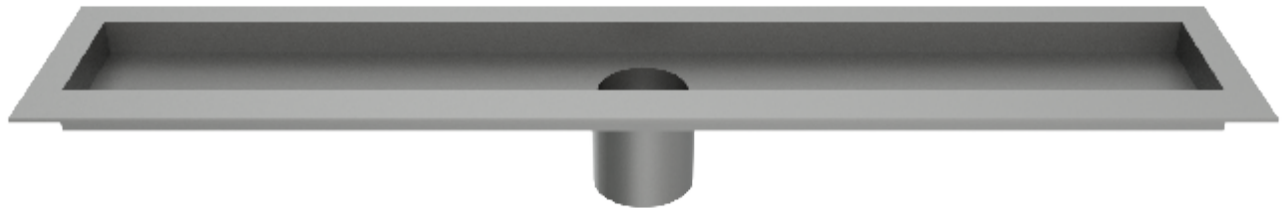


LDRK-24

23 5/8 (600 mm) Rough Kit



Meets the applicable requirements of ASME A112.18.1-2005/CSA B125.1-05, entitled "Plumbing Supply Fittings"