

WATERMARK

BROOKLYN, NEW YORK

Kitchen Ancillaries

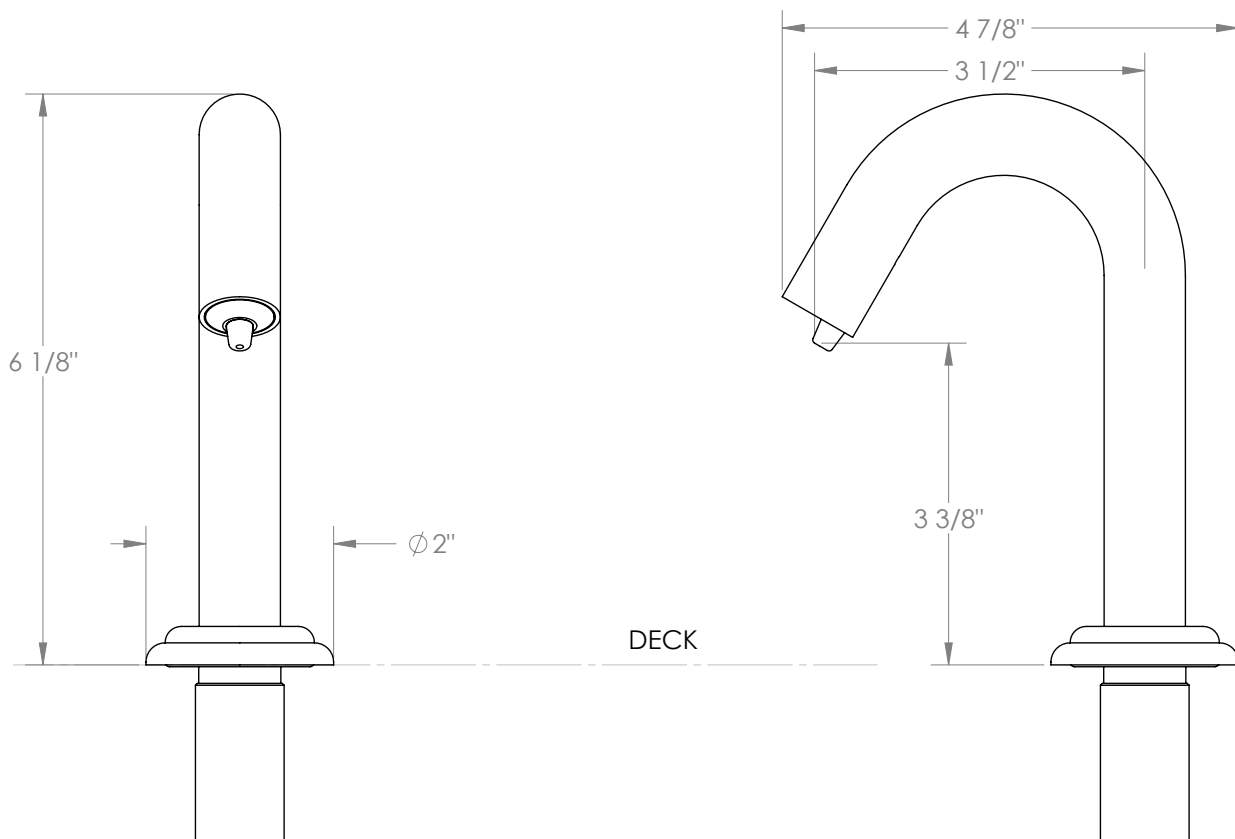
DASD3

Traditional Deck Mount Automatic Soap Dispenser



- Fits Deck Up To 1-1/2" Thick
- Recommended Mounting Hole: 1-1/8"
- Sensing range: 4" (can be adjusted; see installation instructions)
- Four preset modes that controls the quantity of soap dispensed
- DC Powered: Requires 4x AA alkaline batteries (not included) to operate
- Includes: Battery case, refillable 0.5 gallon bottle, necessary wiring
- Recommended Soap Viscosity: 1000-3500 mpA-s
- Professional Installation Required

Available in all finishes shown on the [Watermark Designs website](#)



Meets the applicable requirements of ASME A112.18.1-2005/CSA B125.1-05, entitled "Plumbing Supply Fittings".

Watermark Designs reserves the right to make revisions without notice to produce specifications. All product dimensions are nominal.

09/2023

350 Dewitt Ave. Brooklyn, NY 11207 USA | T: 1 718 257 2800 | F: 1 718 257 2144 | customerservice@watermark-designs.com