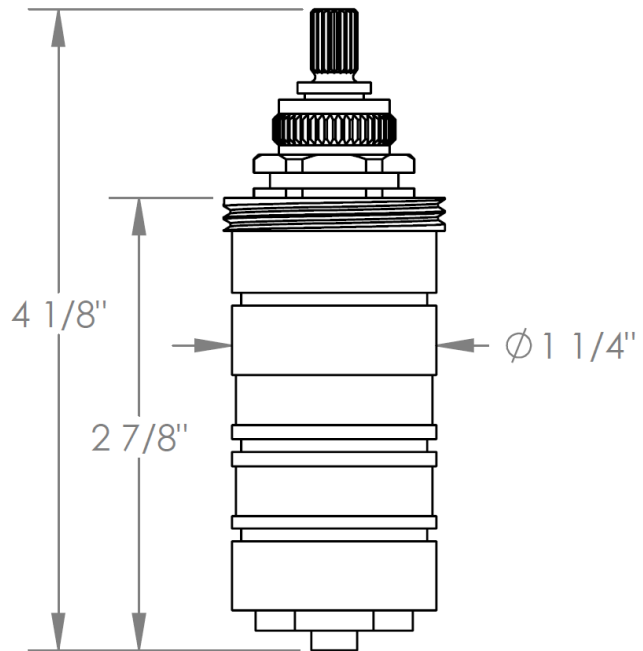
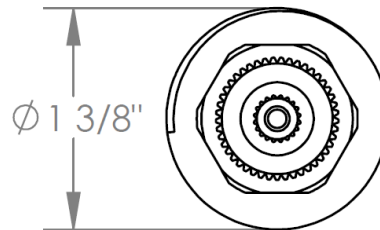


CRT506.4

Temperature Shower Cartridge

For use with SS-TH1000, SS-TH2000, SS-TH3000, SS-TH4000,
SS-TH6000, SS-THVD2 or SS-THVD3 concealed rough



Meets the applicable requirements of ASME A112.18.1-2005/CSA B125.1-05, entitled "Plumbing Supply Fittings"

WATERMARK DESIGNS 9/12/2018

350 Dewitt Ave Brooklyn NY 11207 USA T 718 257 2800 F 718 257 2144 info@watermark-designs.com