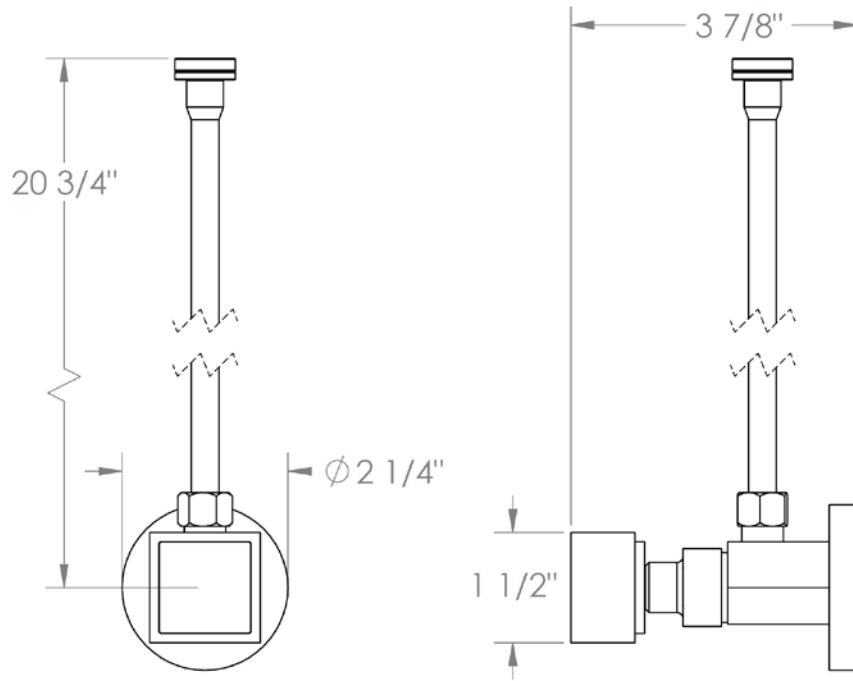


**97-MAS6-J6**

Angle Stop Kit

1/2" IPS x 3/8" OD Compression



**WATERMARK DESIGNS 3/1/2018**