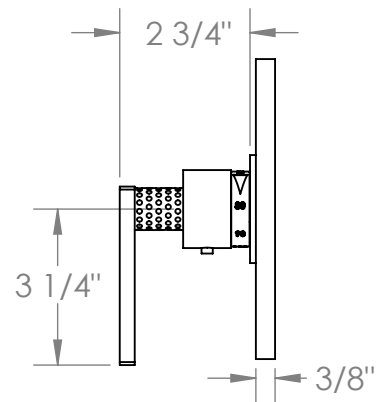
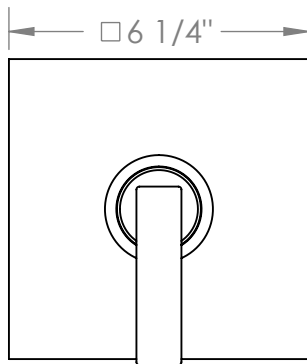
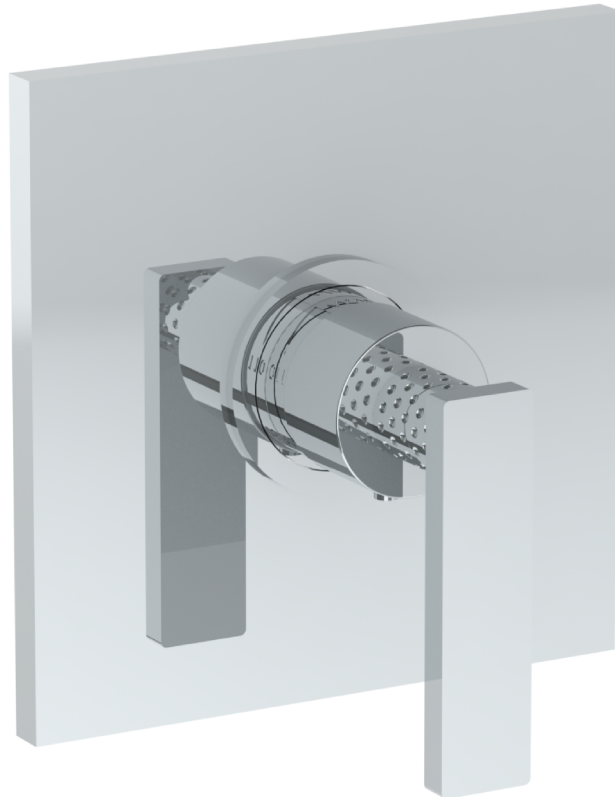


71-T10-LLP5

Wall Mounted Thermostatic Shower Trim

For use with SS-TH1000 or SS-TH3000 rough



Meets the applicable requirements of ASME A112.18.1-2005/CSA B125.1-05, entitled "Plumbing Supply Fittings"

WATERMARK DESIGNS 9/12/2019

350 Dewitt Ave Brooklyn NY 11207 USA T 718 257 2800 F 718 257 2144 info@watermark-designs.com