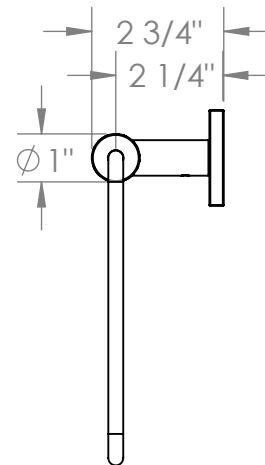
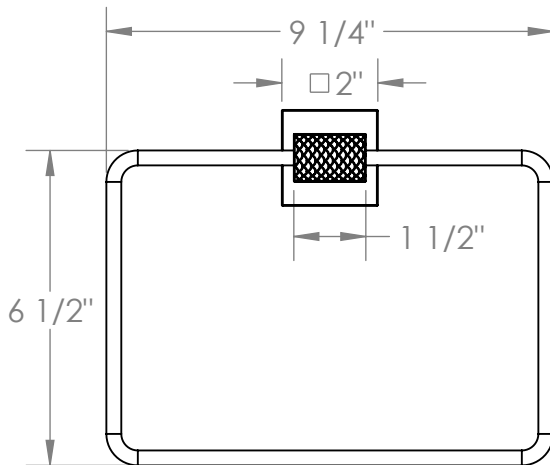


# 71-0.3-LLO6

## Wall Mounted Towel Ring



Meets the applicable requirements of ASME A112.18.1-2005/CSA B125.1-05, entitled "Plumbing Supply Fittings"