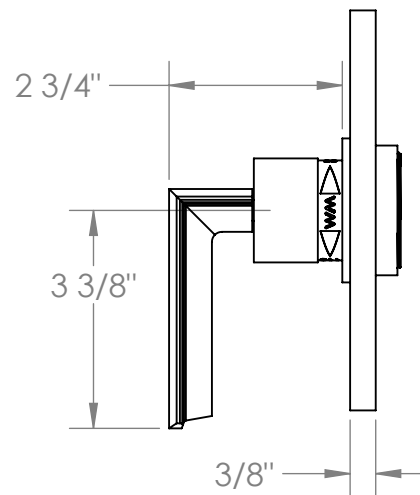
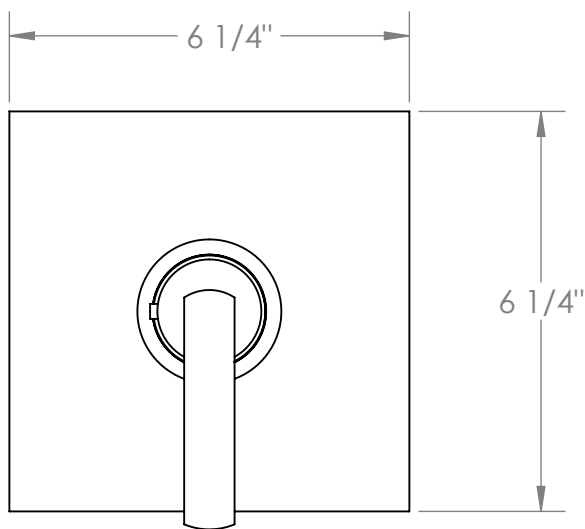


**64-T10-BR4**

Thermostatic Shower Trim

Requires SS-TH1000 or SS-TH3000 Thermostatic Valve



Meets the applicable requirements of ASME A112.18.1-2005/CSA B125.1-05, entitled "Plumbing Supply Fittings"

**WATERMARK** DESIGNS 8/14/2019