

38-7.2- _EV4

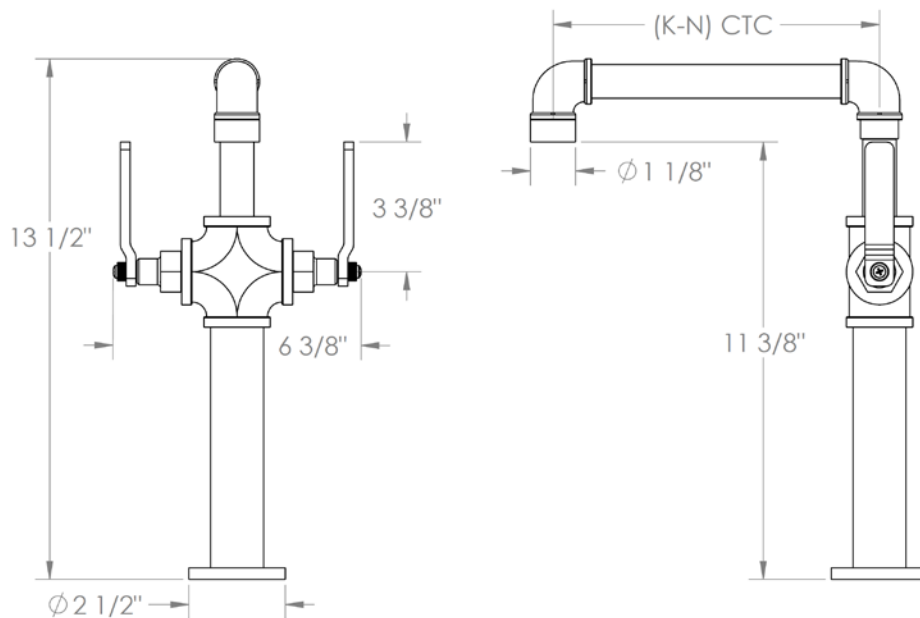
Deck Mounted Single Hole Kitchen Faucet

Flow Rate: 1.75 GPM

Note: Please specify (K-N)



PROJECTION	
K	= 5.5"
L	= 6.5"
M	= 7.5"
N	= 8.5"



Meets the applicable requirements of ASME A112.18.1-2005/CSA B125.1-05, entitled "Plumbing Supply Fittings"

WATERMARK DESIGNS 7/12/2018

350 Dewitt Ave Brooklyn NY 11207 USA T 718 257 2800 F 718 257 2144 info@watermark-designs.com