

# WATERMARK

BROOKLYN, NEW YORK

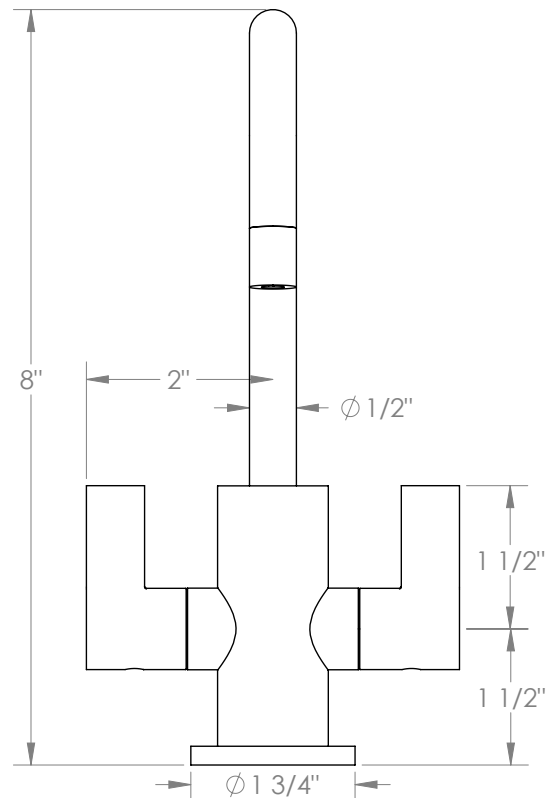
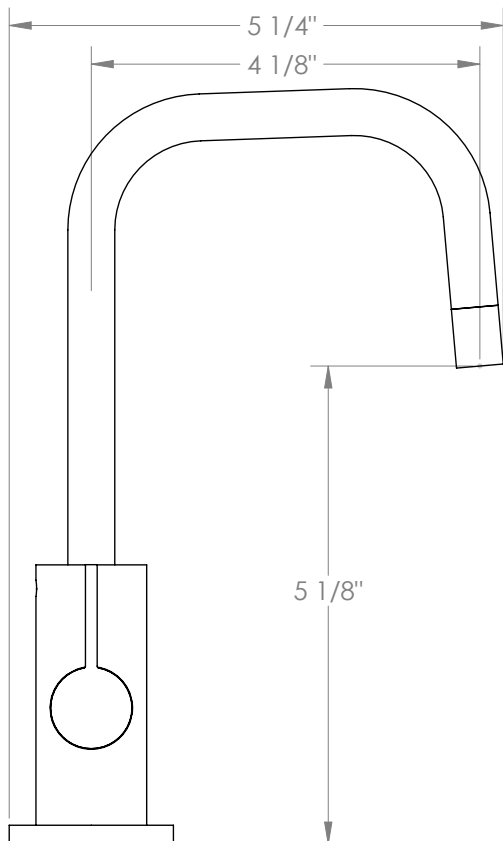
*Blue*  
**37-9.5HC**

Deck Mounted Hot & Filtered Water Dispenser



- Fits Deck Up To 2-1/4" Thick
- Recommended Mounting Hole: 1-1/8"
- All Lead-Free Brass Construction
- Maximum Flow Rate: 0.5 GPM
- 1/4 Turn Ceramic Cartridge
- Handle Is NOT Spring Loaded
- 360° Rotating Spout
- Professional Installation Required

Available in all finishes shown on the [Watermark Designs website](https://www.watermark-designs.com)



Meets the applicable requirements of ASME A112.18.1-2005/CSA B125.1-05, entitled "Plumbing Supply Fittings".

Watermark Designs reserves the right to make revisions without notice to produce specifications. All product dimensions are nominal.

09/2023

350 Dewitt Ave. Brooklyn, NY 11207 USA | T: 1 718 257 2800 | F: 1 718 257 2144 | [customerservice@watermark-designs.com](mailto:customerservice@watermark-designs.com)