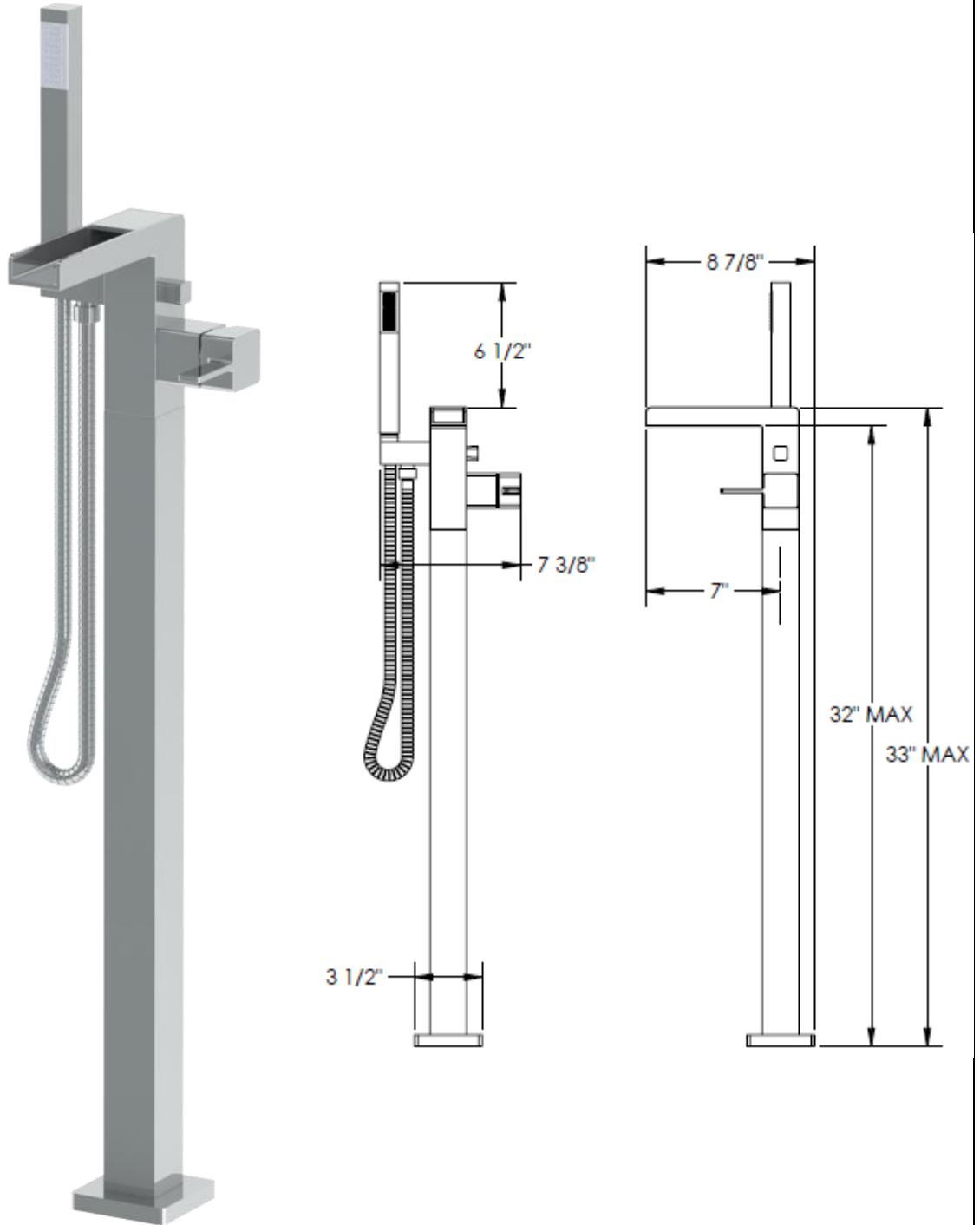


35-8.8WF-ED1

1/2" Floor Mounted Waterfall Elevated Tub Filler w/ Hand Shower

Hand Shower Flow Rate: 2 GPM @ 45PSI

Tub Spout Flow Rate: 8 GPM @ 45PSI



Meets the applicable requirements of ASME A112.18.1-2005/CSA B125.1-05, entitled "Plumbing Supply Fittings"

WATERMARK DESIGNS 9/11/2017

350 Dewitt Ave Brooklyn NY 11207 USA T 718 257 2800 F 718 257 2144 info@watermark-designs.com