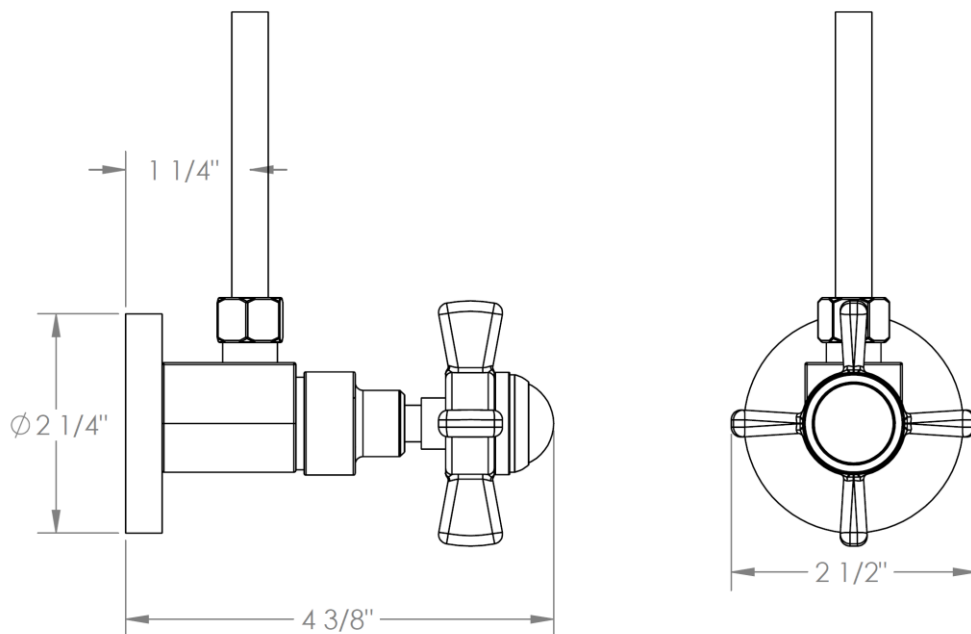


34-MAS6-S1

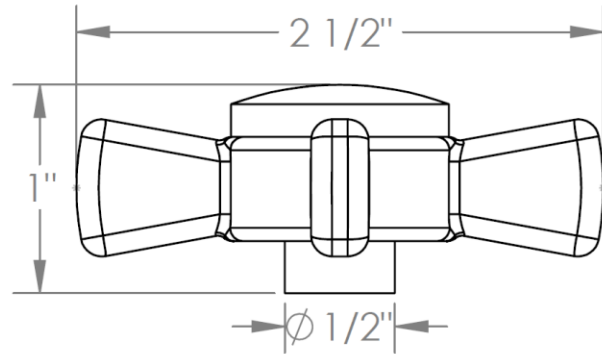
Angle Stop Kit – 1/2" IPS x 3/8" OD Compression



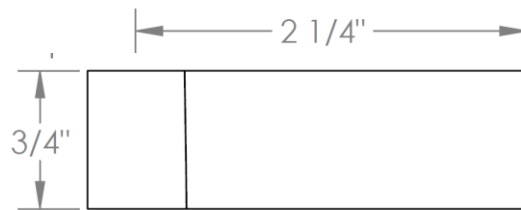
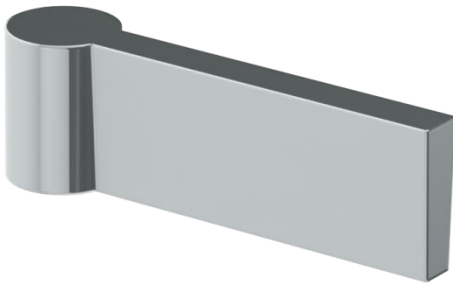
Meets the applicable requirements of ASME A112.18.1-2005/CSA B125.1-05, entitled "Plumbing Supply Fittings"

Haley Handle Options

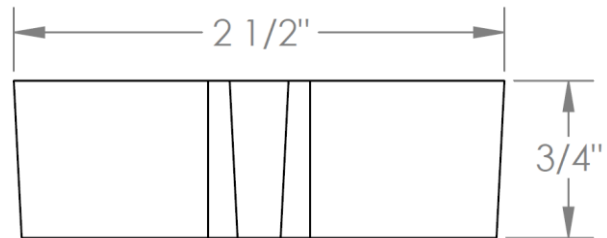
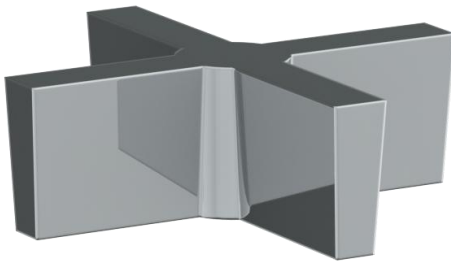
B9M – SISTINA



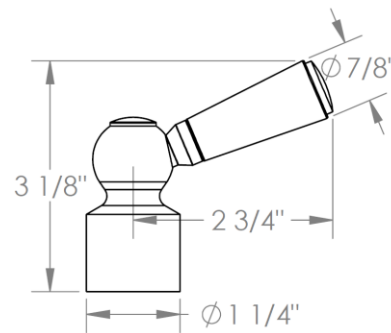
DD2 – ASTAIRE



DD3 – GARBO



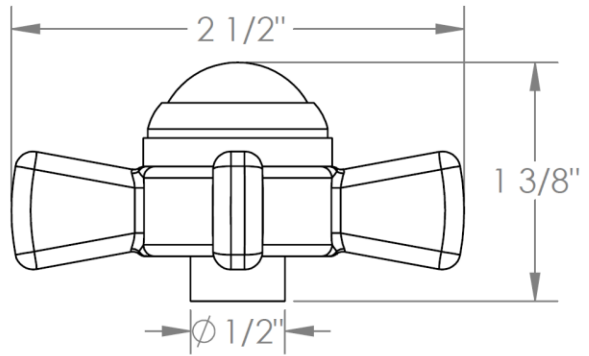
H4 – HARMONIE



WATERMARK DESIGNS 8/29/2018

Haley Handle Options

S1 – PRESTON



S1A – NOTTINGHAM

