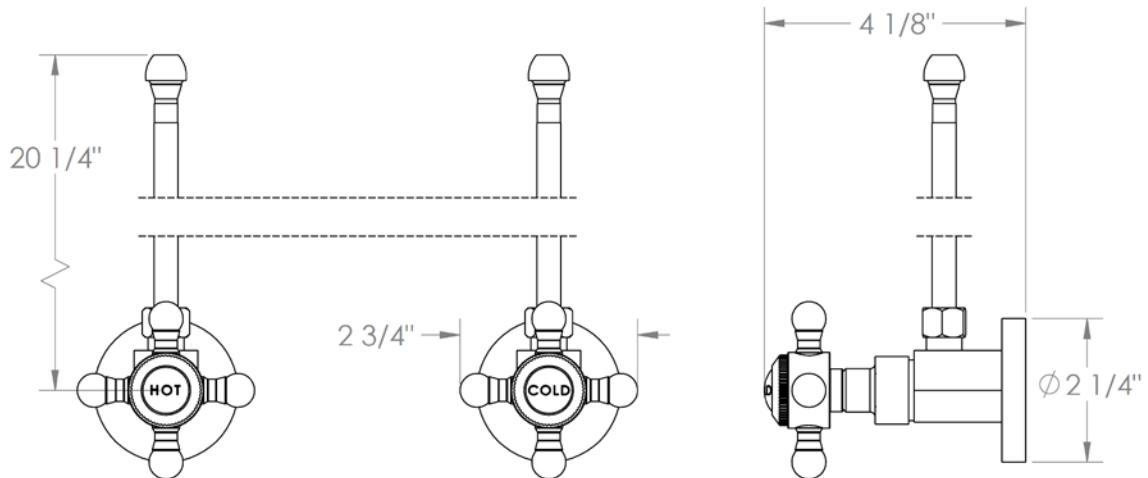
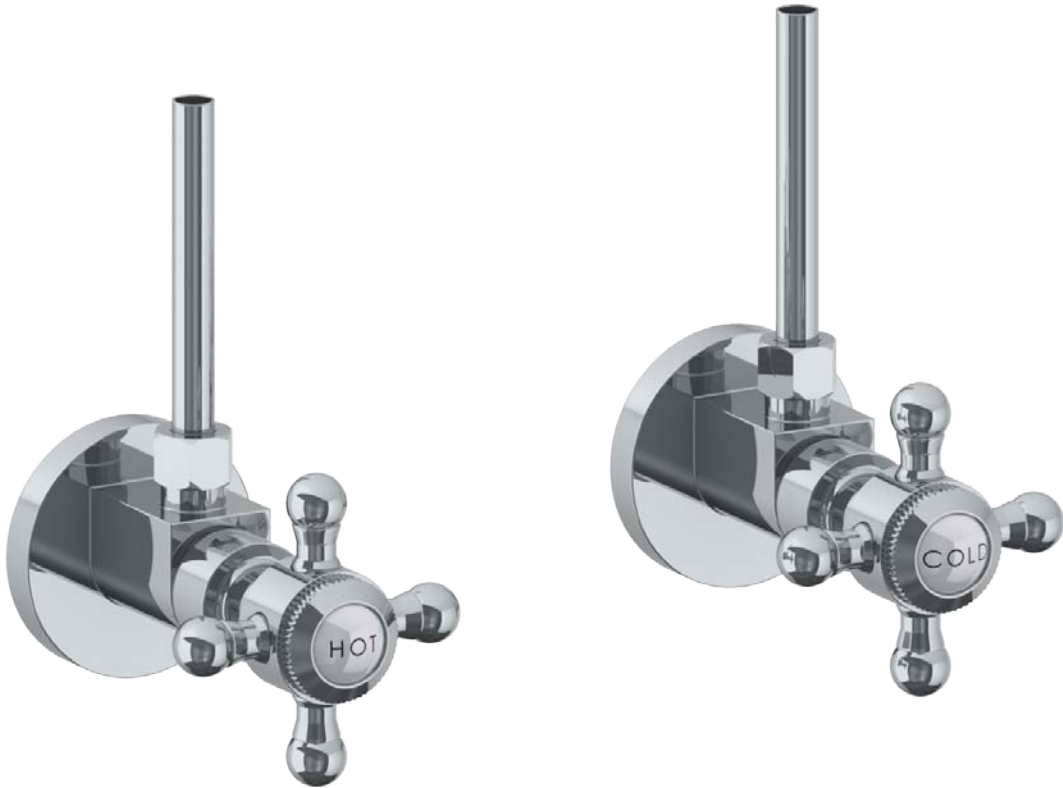


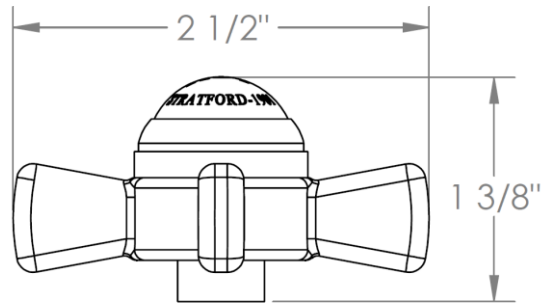
321-MAS2-
Lavatory Angle Stop Kit
1/2" IPS x 3/8" OD Compression



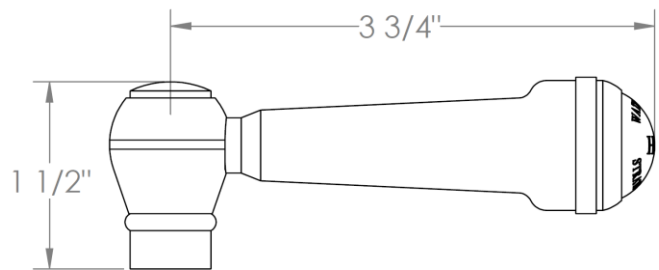
WATERMARK DESIGNS 7/9/2018

HANDLE TRIM OPTIONS

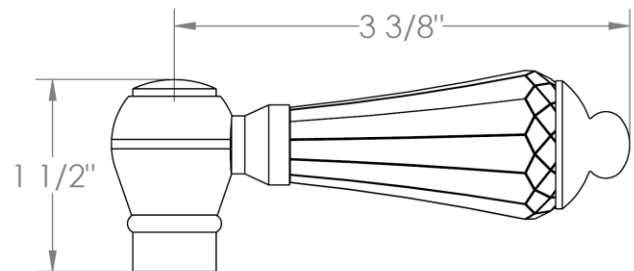
S1 - PRESTON



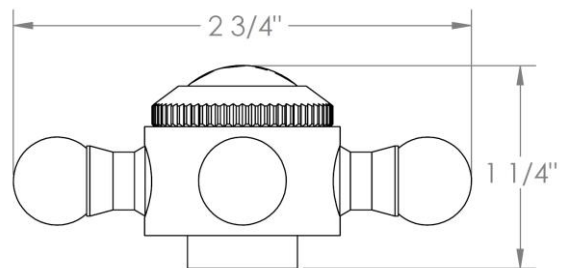
S2 - WALTHAM



SWA - DARIEN



V - WALES



S1A – NOTTINGHAM

